

Ralli Wolf

Power Tools | Pneumatic Tools | Welding Equipment |
FHP Motors | Cutter | Agri Equipment

List Price 2021 - 22

www.ralliwolf.com





INDEX

SL. No.		Page No.	SL. No.		Page No.
A	LIST PRICE OF POWERTOOLS		36	45125H	71
B	LIST PRICE OF STANDS & ATTACHMENT		37	35135	73
C	LIST PRICE OF PNEUMATIC TOOLS		38	55125	75
D	LIST PRICE OF WELDING EQUIPMENT		39	55145	77
E	LIST PRICE OF MOTORS		40	55180	79
F	PRICE OF AGRI & FARM EQUIPMENT (DBP)		41	AG180 / AG230	81
G	LIST PRICE OF SPARE PARTS FOR POWER TOOLS		42	77180 / 77230	83
1	EG2C	1	43	22180	85
2	12063/12063A	3	44	24180	87
3	12110	5	45	AG180 / AG230 PANTHER	89
4	EJ3C	7	46	77180M	91
5	WD2C	9	47	AG7 / AG9	93
6	WD3C / WD34C	11	48	TG61PH / TG63PH	95
7	SD4C	13	49	HS7	97
8	14130	15	50	25180	99
9	14100	17	51	VSM	101
10	16130	19	52	NWB	103
11	RDK13	21	53	77750	105
12	18130	23	54	RB500	107
13	RW10	25	55	RB500 Pro	109
14	RW13	27	56	TP8	111
15	TS35C	29	57	RW14E	113
16	WDH / WDHC	31	58	23355	115
17	NW8 / NW10	33	59	RW110	117
18	RDG25	36	60	RW125	119
19	RW-22H	37	61	RC4	121
20	RW-26H	39	62	RG2100	123
21	RW-5EH	41	63	RW2-82	125
22	RW-11EH	43	64	28200	127
23	RW-15H	45	65	RS180 New	129
24	HSG	47	66	RCS180	131
25	RDG600	49	67	RW8-12	133
26	FSG2(with shaft)	51	68	RHP100	135
27	FF2	53	69	Commando 35	139
28	GL3	55	70	ENOVA 40	141
29	GQ4 BR	57	71	Commando 40 S	143
30	GQ6	59	72	Commando 50	145
31	36100	61	73	Commando 75	149
32	25100	63	74	Commando 100 (NEW)	153
33	AG100	65	75	NW50s	157
34	RG8-100	67	76	MS-MS10	160
35	45100	69	77	CUTTERS	161

SL. No.		Page No.
78	ACCESSORIES	164
H	LIST PRICE OF SPARE PARTS FOR PNEUMATIC TOOLS	
79	RAD-302	165
80	RAD-402	167
81	AD-DR217	169
82	PG-1101H	171
83	EDG-GR2205	173
84	EDG-GR2205-A	175
85	DG-56	177
86	ADG-1106H	179
87	AG-406	181
88	IW-0981T	183
89	IW-1700K-A	185
90	IW-1281	187
91	IW-1930T	189
92	IW-1982	191
93	IW-2500T8	193
94	IW-2500T2	195
95	RW-RA12A	197
96	OS-303	199
97	OS-306	201
98	BS-003	203
99	SD-5MA	205
100	HR-RV105L	207
101	LIST PRICE OF SPARE PARTS FOR MOTOR	209

N.B.

1. Price given in this booklet is List Price and is exclusive of GST.
- 2..Price for Welding Equipment is Ex-Saswad(Pune) / Ahmednagar, Maharashtra.
3. Price for Motor is ex-Ahmednagar, Maharashtra and is supplied against advance payment.
4. Prices for 110 V tools will be 20% higher than the standard volt and will be available against confirmation
5. Supply of Power Tools & Pneumatic Tools will be made for quantity as per master packing
6. Company reserves the right to change the price list without any prior notice



LIST PRICE OF POWERTOOLS

w.e.f. 01.04.2021

SI. No.	MODEL	SIZE	DESCRIPTION	UNIT PER MASTER BOX	LIST PRICE PER UNIT ₹
1	EG2C	6mm	Light Duty Drill	10	5,840
2	12110	10mm	Pistol Drill (Double Insulated) 550watt	10	3,500
3	14100	10mm	Electric Drill (Double Insulated)	8	3,780
4	15100	10mm	Impact Drill (Double Insulated)	6	3,500
5	RW10	10mm	Rotary Drill	8	3,500
6	EJ3C	10mm	Light Duty Drill	10	8,680
7	WD2C	6mm	Heavy Duty Drill	2	11,330
8	WD3C	10mm	Heavy Duty Drill	2	13,000
9	WD34C	13mm	Heavy Duty Drill	2	16,440
10	SD4C	13mm	Light Duty Drill	4	9,625
11	14130	13mm	Heavy Duty High Powered Drill (Double Insulated)	4	12,560
12	RW13	13mm	Impact Drill (Double Insulated)	8	4,000
13	16130	13mm	Impact Drill (Double Insulated)	6	3,900
14	18130	13mm	Impact Drill (Double Insulated)	6	3,900
15	RDK13	13mm	Drill Kit	1	4,840
16	RW-SD10	10mm	Screw Driver	10	3,000
17	TS35C	10mm/16mm	Two Speed Drill	2	18,140
18	WDH	13mm-23mm	Heavy Duty Drill	2	16,840
19	WDHC	20mm	Heavy Duty Drill (Chuck Model)	2	17,565
20	NW8	25mm	Heavy Duty Drill	2	28,640
21	NW10	31mm	Heavy Duty Drill	2	28,640
22	RW-22H	22mm	Rotary Hammer	5	6,000
23	RW-26H	26mm	Rotary Hammer	3	9,000
24	RW-5EH	5 kgs	Demolition Hammer	3	11,560
25	RW-11EH	11 kgs	Demolition Hammer	1	26,260
26	RW-15H	15 kgs	Demolition Hammer	1	30,000
27	HSG	6mm(Collet Size)	High Speed Grinder (Pistol Type)	10	11,640
28	RDG25	6mm(Collet Size)	High Speed Grinder Straight Type (Double Insulated)	6	7,360
29	RDG600	6mm(Collet Size)	High Speed Grinder Straight Type (Double Insulated)	10	9,460
30	FSG2 (with shaft)	6mm(Collet Size)	Single Speed Flexible Shaft Grinder	2	20,000
31	FF2 (with shaft)	6mm(Collet Size)	Two Speed Flexible Shaft Grinder	2	18,180
32	GL3	75mm	Lathe Grinder (Tool Post Grinder)	2	27,410
33	GQ4	100mm	Heavy Duty Straight Grinder	4	12,340
34	36100	100mm	Heavy Duty Straight Grinder (Double Insulated)	4	12,340
35	GQ6	150mm	Heavy Duty Straight Grinder	2	23,080
36	25100	100mm	Light Weight Angle Grinder 650 W (Double Insulated)	10	3,600
37	AG100	100mm	Light Weight Angle Grinder 1020W (Double Insulated)	6	4,000
38	45100	100mm	Industrial Angle Grinder 850W (Double Insulated)	10	5,260
39	RG8-100	100mm	Industrial Angle Grinder 850W (Double Insulated)	10	4,000
40	45125H	125mm	Industrial Angle Grinder 850W (Double Insulated)	10	7,500
41	35135	125mm	Heavy Duty Light Weight Angle Grinder (Double Insulated)	4	8,820
42	55145	125mm	Heavy Duty Light Weight Angle Grinder (Double Insulated)	4	14,000
43	55180	180mm	Heavy Duty Light Weight Angle Grinder (Double Insulated)	2	18,000

Contd.....



SI. No.	MODEL	SIZE	DESCRIPTION	UNIT PER MASTER BOX	LIST PRICE PER UNIT ₹
44	AG180	180mm	Heavy Duty Light Weight Angle Grinder (Double Insulated)	2	12,500
45	22180	180mm	Heavy Duty Light Weight Angle Grinder (Double Insulated)	2	9,980
46	24180	180mm	Heavy Duty Light Weight Angle Grinder (Double Insulated)	2	11,560
47	77180	180mm	Heavy Duty Light Weight Angle Grinder (Double Insulated) 2400W	2	14,500
48	AG7	180mm	Metal Body Heavy Duty Angle Grinder	2	18,180
49	77180M	180mm	Metal Body Angle Grinder Light Weight (Panther) 2400W	2	18,000
50	AG230	230mm	Heavy Duty Light Weight Angle Grinder (Double Insulated)	2	13,500
51	77230	230mm	Heavy Duty Light Weight Angle Grinder (Double Insulated) 2400W	2	16,000
52	AG9	230mm	Metal Body Heavy Duty Angle Grinder	2	19,090
53	TG61PH	150mm	Bench Grinder A.C. Single Phase (230V/250V)	2	18,830
54	TG63PH	150mm	Bench Grinder A.C. Three Phase (440V/440V)	2	17,800
55	HS7	180mm	Horizontal Sander	4	17,050
56	25180	180mm	Light Weight Heavy Duty H Sander (Double Insulated)	4	18,620
57	VSM	180mm	Vertical Sander	1	18,800
58	NWB		Portable Industrial Blower	4	10,310
59	77750		Portable Industrial Heavy Duty Two Speed Blower (Double Insulated)	4	11,840
60	RB500		Light Weight Compact Blower (Double Insulated)	6	2,500
61	RB500 Pro		Light Weight Compact Blower (Double Insulated)	8	2,500
62	TP8	3mm-6mm	Portable Tapping Machine	4	24,290
63	RW14E	355mm	Chop Saw	1	14,000
64	23355	355mm	Chop Saw	1	12,080
65	RW110	110mm/125mm	Marble Cutter	4	3,900
66	RW125	110mm/125mm	Marble Cutter	6	3,900
67	RC4	125mm	Marble Cutter	8	3,500
68	RG2100	2000watt	Heat Gun	10	4,000
69	RW2-82	2-82mm	Planer	4	5,260
70	28200	2-82mm	Planer	4	5,000
71	RS180 New	180mm	Circular Saw	4	7,360
72	RCS180	180mm	Circular Saw	4	7,360
73	RW8-12	Collet 6,8,12mm	Electric Router	2	8,000
74	RW-RT12	Collet 8,12mm	Electric Router	2	8,800
75	RW-CV35	35mm	Concrete Vibrator	10	5,500
76	RJS60	600W	Jig Saw	2	6,750
77	RHP100	1400W	High Pressure Cleaner	1	14,000
78	RHP130	1200W	Induction Pressure Washer	1	14,860
79	NW50s	50mm x 50mm	Magnetic Core Cum Taper Shank Twist Bit Drilling Machine	1	50,590
80	Commando 35	35mm x 35mm	Magnetic Core Drilling Machine	1	70,000
81	ENOVA 40	40mm x 50mm	Magnetic Core Drill	1	40,910
82	Commando 40 S	40mm x 50mm	Magnetic Core Drilling Machine	1	92,400
83	Commando 50	50mm x 50mm	Magnetic Core Drilling Machine	1	200,000
84	Commando 50 PM	50mm x 50mm	Magnetic Drill Pivot Magnet	1	500,000
85	Commando 75	75mm x 50mm	Magnetic Core Drilling Machine	1	225,000
86	Commando 100 (NEW)	100mm X 100mm	Magnetic Core Drilling Machine	1	250,000
87	Commando 100 (NEW)- SB	100mm X 100mm	Magnetic Core Drilling Machine (SWIVEL BASE)	1	280,000
88	RDU		Rail Drilling Unit	1	500,000

* MOQ : Minimum order quantity as per master box packing



LIST PRICE OF STANDS & ATTACHMENT

w.e.f. 01.04.2021

SI. No.	MODEL	DESCRIPTION	LIST PRICE PER UNIT ₹
MAGNETIC DRILL STAND			
1	MS-W	HEXAGONAL BASE SUITABLE FOR DRILL TYPE WDH	20075
2	MS-N	HEXAGONAL BASE SUITABLE FOR DRILL TYPE NW8/NW10	20075
3	MS 10-W	ROUND TYPE BASE SUITABLE FOR DRILL TYPE WDH	23055
4	MS10-N	ROUND TYPE BASE SUITABLE FOR DRILL TYPE NW8/NW10	23055
MAJOR ATTACHMENTS			
5	10FD	FLEXIBLE SHAFT FOR FSG2 & FF2	4820
6	IGA/GL3	INTERNAL GRINDING ATTACHMENT FOR GL3	8415
7	EGA/GL3	EXTERNAL GRINDING ATTACHMENT FOR GL3	8415

N.B. : Price for vertical and horizontal mechanical stands are available against enquiry.



LIST PRICE OF PNEUMATIC TOOLS

w.e.f. 01.04.2021

Sl. No.	MODEL	CAPACITY	DESCRIPTION	UNITS PER MASTER BOX	LIST PRICE PER UNIT ₹
DRILLS :-					
1	RAD-302	3/8"	Reversible Drill	1	5,445
2	RAD-402	1/2"	Reversible Drill	1	8,050
3	AD-DR217	3/8"	Air Angle Drill	1	9,045
GRINDERS :-					
4	PG-1101H	6mm	Air Die Grinder	1	5,210
5	EDG-GR2205	5"	Extended Die Grinder	1	7,525
6	EDG-GR2205-A	5"	Shaft air die grinder	1	4,935
7	DG-56	3mm	Micro Die Grinder	1	8,335
8	ADG-1106H	1/4" HD 90	Angle Grinder	1	7,445
9	AG-406	4" (100 mm)	Angle Grinder	1	11,580
IMPACT WRENCHES :-					
10	IW-0981T	3/8" Sq.	Drive Composite Impact Wrench	1	13,120
11	IW-1700K-A	1/2" Sq.	Drive Impact Wrench - Kit	1	12,735
12	IW-1281	1/2" Sq.	Drive Composite Impact Wrench	1	17,945
13	IW-1930T	3/4" Sq.	Drive Composite Impact Wrench	1	20,730
14	IW-1982	3/4" Sq.	Composite air impact wrench	1	17,695
15	IW-2500T8	1" Sq.	Drive Composite Impact Wrench with 8" Anvil	1	68,355
16	IW-2500T2	1" Sq.	Air impact wrench(8"Anvil)	1	51,450
17	RW-RA12A	1/2" Sq.	Drive Air Ratchet Wrench	1	7,525
SANDERS :-					
18	OS-303	5"	Orbital Sander	1	15,630
19	OS-306	6"	Orbital Sander	1	10,270
20	BS-003	10x330 mm	Belt Sander	1	11,580
UTILITY TOOLS :-					
21	SD-5MA	3-5mm	Air Screw Driver	1	4,635
22	HR-RV105L	3/16"	Air Hydraulic Riveter	1	13,785



LIST PRICE OF WELDING EQUIPMENT

w.e.f. 01.04.2021

SI. No.	TYPE	MODEL	DESCRIPTION	LIST PRICE PER UNIT ₹
INVERTER MMA WELDER :				
1	ARC - 200	ECO-200	IGBT Technology, 1Ph./200 Amps output	10,000
2	ARC - 200	WA20	IGBT Technology, 1Ph./200 Amps output	14,000
3	ARC - 200	RA20	MOSFET Technology, 1Ph./200 Amps output	16,000
4	ARC - 200	R76	IGBT Technology, 1 Ph./220 Amps output	35,000
5	ARC - 250	ECO-250	IGBT Technology, 1Ph./250 Amps output	14,000
6	ARC - 250	RA25 S	MOSFET Technology, 1Ph./250 Amps output	46,000
7	ARC - 250	WA25 S	IGBT Technology, 1Ph./250 Amps output	46,000
8	ARC - 250	RA25	MOSFET Technology, 3Ph./250 Amps output	46,000
9	ARC - 300	WA30	IGBT Technology, 3Ph./300 Amps output	54,000
10	ARC - 400HK	RA40HK	IGBT Technology, 3 Ph./400Amps output	52,000
11	ARC - 400	WA40 H	IGBT Technology, 3Ph./400 Amps output	60,000
12	ARC - 400	RA40H/HA	IGBT Technology, 3 Ph./400Amps output	60,000
13	ARC - 400 IJ	RA40N	IGBT Technology, 3 Ph./400 Amps output	64,000
14	ARC - 400 IJ	W97	IGBT Technology, 3 Ph./400 Amps output	84,000
15	ARC - 400 IJ	RA40	IGBT Technology, 3 Ph./400 Amps output	84,000
16	ARC - 500 IJ	RA50	IGBT Technology, 3 Ph./500 Amps output	110,000
17	ARC - 630 IJ	RA63	IGBT Technology, 3 Ph./630 Amps output	170,000
INVERTER TIG/MMA WELDER :				
18	TIG - 200 A	RT20	MOSFET Technology, 1 Ph./200 Amps output	34,000
19	TIG - 200 A	WT20	IGBT Technology, 1 Ph./200 Amps output	34,000
20	TIG - 200 P A	RT20P	MOSFET Technology, 1 Ph./200 Amps output with pulsing	66,000
21	TIG - 200 ac/dc	RT20 A	MOSFET Technology, 1 Ph./200 Amps output in AC/DC both	92,000
22	TIG - 200 ac/dc	WT20 A	IGBT Technology, 1 Ph./200 Amps output in AC/DC both	92,000
23	TIG - 250 A	RT25	MOSFET Technology, 3Ph./250 Amps output with pulsing	55,000
24	TIG - 300	WT30	IGBT Technology, 3Ph./300 Amps output	80,000
25	TIG - 315 P ac/dc	RT31 A	MOSFET Technology, 3 Ph./315 Amps output in AC/DC both with pulsing	150,000
26	TIG - 315 P ac/dc	WT31 A	IGBT Technology, 3 Ph./315 Amps output in AC/DC both with pulsing	150,000
27	TIG - 400 IJ	RT40 / WT40	IGBT Technology, 3 Ph./400 Amps output	130,000
28	TIG - 400 PIJ	RT40P /WT40P	IGBT Technology, 3 Ph./400 Amps output with pulsing	180,000
29	TIG - 500 IJ	RT50	IGBT Technology, 3 Ph./500 Amps output with pulsing	174,000
30	TIG - 600 IJ	RT60	IGBT Technology, 3 Ph./600 Amps output	216,000
INVERTER MIG/MAG /MMA WELDER :				
31	MIG - 200S	RM20	IGBT Technology, 1 Ph./200 Amps output (inbuild wire feeder)	72,000
32	MIG - 250 F	RM25	IGBT Technology, 3 Ph./250 Amps output	90,000
33	MIG - 250 N	RM25N	IGBT Technology, 3 Ph./250 Amps output	96,000
34	MIG - 400IJ	RM40 N	IGBT Technology, 3 Ph./400 Amps output (AD)	144,000
35	MIG - 500 IJ	RM50	IGBT Technology, 3 Ph./500 Amps output	190,000
36	MIG - 630 IJ	RM63	IGBT Technology, 3 Ph./630 Amps output	230,000

Contd.....



Sl. No.	TYPE	MODEL	DESCRIPTION	LIST PRICE PER UNIT ₹
AIR PLASMA CUTTER :				
37	CUT - 60 G	RC60 / WC60	IGBT Technology 3Ph. /Max. cutting capacity : 15 mm	110,000
38	CUT - 80	RC80 /WC80	IGBT Technology 3Ph. /Max. cutting capacity : 15 mm	150,000
39	CUT - 100 IJ	RC10 / WC10	IGBT Technology 3Ph. /Max. cutting capacity : 30 mm	170,000
40	CUT - 160 IJ	RC16 / WC16	IGBT Technology 3Ph. /Max. cutting capacity : 50 mm	330,000
SUB MERGED ARC WELDER :				
41	MZ - 1000	WS100	IGBT Technology 3 Ph./ 1000 Amps output	600,000
42	MZ - 1250	WS125	IGBT Technology 3 Ph./ 1250 Amps output	630,000
FCT SERIES :- (With on /off switch)				
43	FCT 400	RAT40	Air Cooled Welding Transformer -400 m (without Rotary on-off switch)	64,000
44	FCT 400	RAT40	Air Cooled Welding Transformer -400 m (with Rotary on-off switch)	66,500
45	FCT 600	RAT60	Air Cooled Welding Transformer -600 m (without Rotary on-off switch)	90,000
46	FCT 600	RAT60	Air Cooled Welding Transformer -600 m (with Rotary on-off switch)	95,000
THYRISTORISED RECTIFIER :				
47	RT-400	RT-400	400 AMPS Fully Thyristorised Rectifier	130,000
48	RT-600	RT-600	600 AMPS Fully Thyristorised Rectifier	170,000
DIESEL ENGINE DRIVEN WELDING GENERATOR :				
49	RWG - 350	RWG350	350 AMP Diesel Engine Driven Portable Sound Pproof Welding Generator	1,170,000
50	RWG - 400 (3 CYLINDER ENGINE)	RWG400 3C	400 AMPS (3 CYLINDER) Diesel Engine Driven Portable Sound Proof Welding Generator	1,384,000
51	RWG - 400 (4 CYLINDER ENGINE)	RWG400 4C	400 AMPS (4 CYLINDER) Diesel Engine Driven Portable Sound Proof Welding Generator	1,456,000
52	RWG - 500	RWG500	500 AMPS Diesel Engine Driven Portable Sound Proof Welding Generator	1,542,000
STUD WELDER :				
53	RCD 208	RCD 208	Suitable for Mild steel, Stainless Steel, Aluminium, Brass in M.2 to M.8 size	180,000
ANCELLRIES UNITS :				
54	PROFILE CUTTER	RPC- 1	Professional pillar type magnetic template profile Cutter	118,900
55	WATER COOLING UNIT	RWCU-N	Fitted with radioter/65 Ltrs tank capacity/ fabricated in 100% Stainless steel	50,000



LIST PRICE OF MOTORS

w.e.f. 01.04.2021

Sl. No.	TYPE	LIST PRICE PER UNIT ₹	Sl. No.	TYPE	LIST PRICE PER UNIT ₹
1	SPM-23	6365	7	UMG-14	14138
2	SPM-24	7979	8	SPM-35	6932
3	SPM-63	7004	9	SPM58/59	13018
4	SM4D	6057	10	PMG20/26	3106
5	UM4B	6102	11	PMDC 58/59	9603
6	UMG-7	9539			
SPECIAL MODEL					
1	SPM-1	5189	24	SPM-47	6077
2	SPM-3	5946	25	SPM-49	9715
3	SPM-5	16797	26	SPM-56	7673
4	SPM-6(110V)	16797	27	SPM-56(110)	7673
5	SPM-8	6978	28	SPM-57	6426
6	SPM-8 (110V)	6978	29	SPM-57 (110V)	6426
7	SPM-9	5989	30	SPM-62	7028
8	SPM-9 (110V)	5989	31	SPM-64	6034
9	SPM-13	7960	32	SPM-66	6935
10	SPM-13(110V)	7960	33	SPM-67	19883
11	SPM-14A	5768	34	SPM-68	19906
12	SPM-18	9339	35	SPM-72	19883
13	SPM-18 (110V)	9339	36	TM-01	4103
14	SPM-20	6978	37	UM-15	5322
15	SPM-25 (110V)	7730	38	UM-15(110V)	5322
16	SPM-29	8904	39	UM-18	6174
17	SPM-29 (110V)	8904	40	UM-18(110V)	6174
18	SPM-31	8904	41	UM-25	6510
19	SPM-34	17908	42	UM-25 (110V)	6510
20	SPM-34(110V)	17908	43	UMG-05	4769
21	SPM-40	9794	44	UMG-05(110V)	4769
22	SPM-43	14053	45	UMG-7(110V)	9539
23	SPM-43(110V)	14053	46	UMG-27	6707
			47	UMG-31	8546

Ralli PLANT PROTECTION & FARM EQUIPMENT

Sl. No.	MODEL	DESCRIPTION	MOQ	DBP PER UNIT ₹
MIST BLOWER				
1	MONO / EL-35	Motorised Knapsack Mistblower Cum Duster	5	5,500
HIGH PRESSURE POWER SPRAYER				
2	ECOMAX	Economy High Pressure Sprayer 20lt. 2 stroke Premium engine	5	8,000
3	ULTRAMAX	High Pressure Knapsack Sprayer 25lt/20L. 4 stroke Honda engine	1	18,150
4	EZEEMAX -2S	High Pressure Knapsack Sprayer 20lt. Economy model 2 stroke	5	6,750
5	EZEEMAX-2S-15L	High Pressure Knapsack Sprayer 15lt. 2 stroke Economy model	5	6,750
6	EZEEMAX-4S	High Pressure Knapsack Sprayer 20 lt. 4 stroke economy model	5	8,800
BATTERY OPERATED POWER KNAPSACK SPRAYER				
7	ECO URJA	Knapsack Economy Battery Sprayer 16lt. Battery 12V 8Amp	30	2,500
8		Knapsack Economy Battery Sprayer 16lt. Battery 12V 12Amp	30	2,750
9	RALLI 21	Manual And Battery Sprayer (2 In 1) 18 Lt. Battery 12V 8Amp	30	2,750
10		Manual And Battery Sprayer (2 In 1) 18 Lt. Battery 12V 12Amp	30	3,000
11	ECO URJA-DM	Knapsack Battery Sprayer 20 lt. Battery 12V 12Amp with double motor	15	3,300
ELECTRIC SPRAYER				
12	ULV-4	ULV Electric Sprayer 4 Lt	1	15,000
13	ULV PRO	ULV Electric Sprayer 4 Lt dlx model	1	16,000
MULTIPURPOSE ATOMISING MACHINE				
14	RALLI 360	Multipurpose Atomising Machine	2	4,500
HTP				
15	RTP-16	High Pressure Triplex Pump (HTP)- CI head, Suction 6.5-9L/Min	5	3,500
16	RTP-22A	High Pressure Triplex Pump (HTP)- CI head, Suction 13.5-20L/Min	5	4,000
17	RTP-30	High Pressure Triplex Pump (HTP)- CI head, Suction 32-46L/Min	5	4,800
18	RTP-50	High Pressure Triplex Pump (HTP)- CI head, Suction 45-46L/Min	5	6,200
19	RTP-50B	High Pressure Triplex Pump (HTP)- Brass head, Suction 45-66L/Min	2	8,200
20	RTP-70	High Pressure Triplex Pump (HTP)	2	10,000
PORTABLE SPRAYER				
21	RM26-2S	Portable Power Sprayer 2 stroke	5	6,500
22	RM31-4S	Portable Power Sprayer 4 stroke	3	11,000
HITECH KNAPSACK SPRAYER MANUAL				
23	SX-200/VMND	Premium Hi-tech Sprayer 16lt. - ISI Marked	12	1,950
KNAPSACK SPRAYER				
24	SX100/VMND	Knapsack Sprayer 16lt.	12	1,750
25	SX50/VMND	Economy Knapsack Sprayer 16lt.	12	1,450

Contd.....

Sl. No.	MODEL	DESCRIPTION	MOQ	DBP PER UNIT ₹
ROTARY POWER TILLER				
26	RRT100P	Micro Tiller, Petrol, 6hp	1	44,000
27	RRT105D	Micro Tiller, Diesel, 6hp	1	55,000
28	RRT135D	Micro Tiller, Diesel, 9hp	1	58,500
29	RRT105D-ES	Micro Tiller, Diesel, 6hp electric start	1	68,000
30	RRT135D-ES	Micro Tiller, Diesel, 9hp electric start	1	73,500
FARM EQUIPMENT				
31	BC 430S	Brush Cutter, 2 Stroke, 43CC	5	11,500
32	CS- 58	Gasoline Chain Saw 58CC, Bar Length 20"	3	8,000
33	CS- 58	Gasoline Chain Saw 58CC, Bar Length 22"	3	8,500
34	CS- 58	Gasoline Chain Saw 58CC, Bar Length 24"	3	9,000
TEA HARVESTER				
35	TP-60	Tea Plucker Two stroke	5	18,500
36	TP-75	Tea Plucker Two stroke with big cutter	3	21,000
37	TP-430W	Tea Pruner 43CC, 2 stroke Engine	1	14,000
38	TP-33 MINI	Portable Mini Tea Plucker Battery Operated	5	14,000
FOGGERS				
39	RF-01 MINI	Thermal Fogger Sprayer (Mini)	5	8,000
40	RF-02 AUTO	Thermal Fogger Sprayer (Auto)	1	36,000
ENGINE				
41	EL-35	Petrol Engine 35cc with Electronic Magneto ISI Marked	5	2,900
MIST BLOWER ATTACHMENT				
42	MIST BLOWER ATTACHMENT	Mist Blower Attachment compatible with any Model Ralli Battery Sprayer	10	1,250

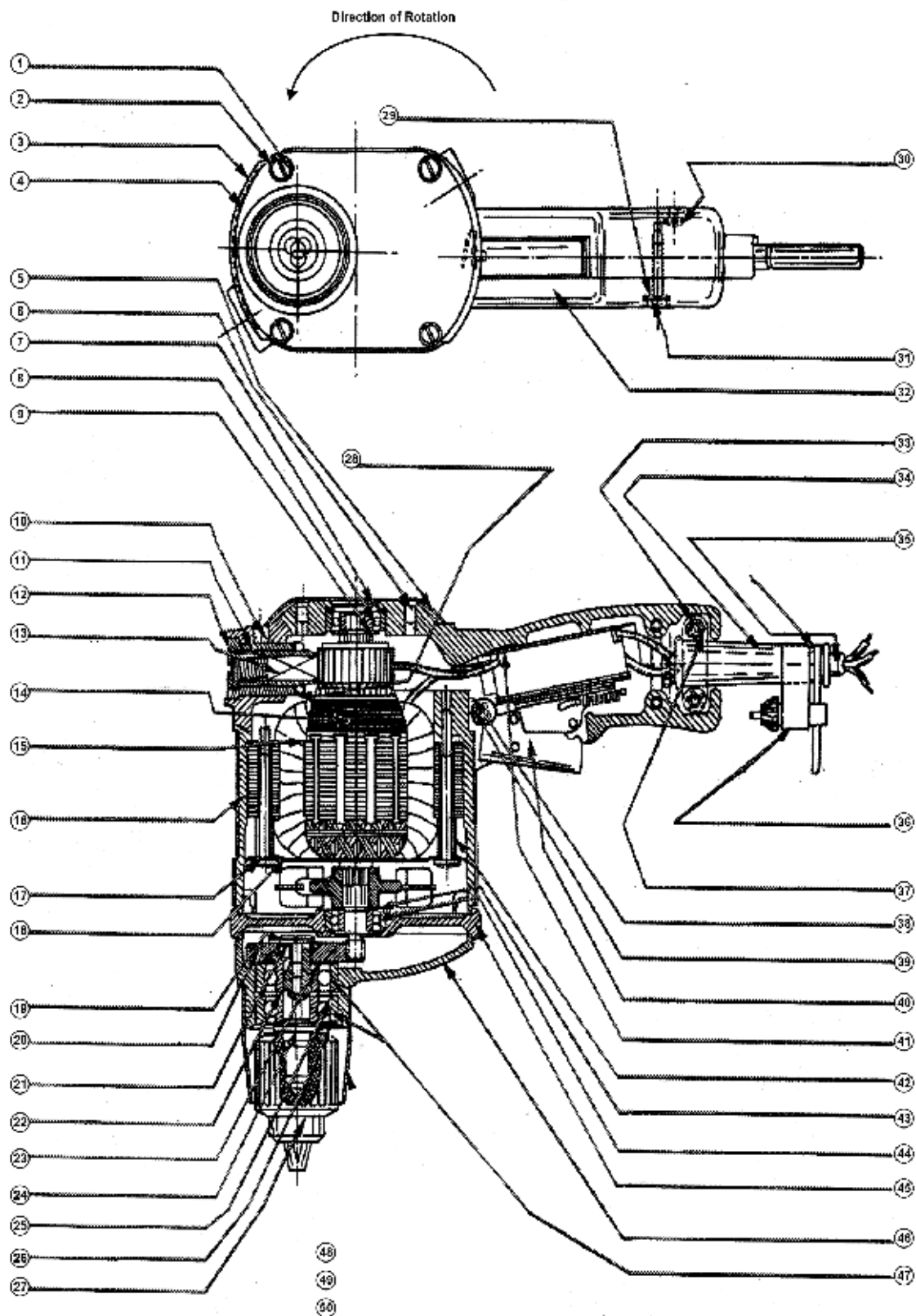


**PRICE LIST OF
SPARE PARTS
FOR
POWER TOOLS**



SPARES ▶

MODEL : EG2C 6mm Light Duty Drill





MODEL : EG2C
6mm Light Duty Drill

◀ SPARES

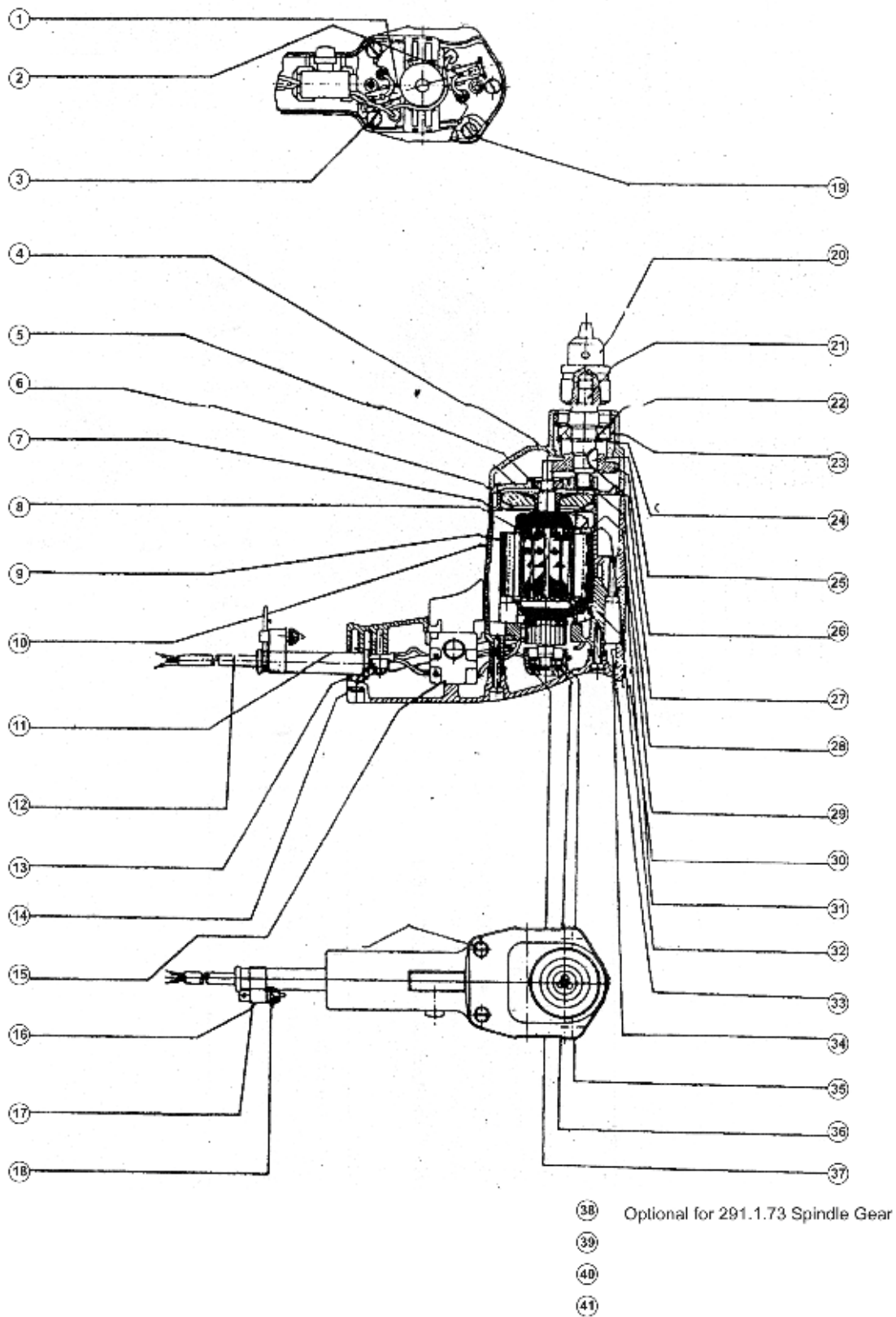
Drg. No.	Part No.	Description	Qty./Tool	Price (₹)
1	600.1.81	Screw	4	20
2	231.1.16	Washer	4	20
3	225.1.01	Rivet	4	20
5	278.1.39	Endcover	1	89
6	601.1.02	End Cover Screw	2	20
7	312.1.13	Bearing Cover	1	20
9	230.1.31	Washer	1	20
10	602.1.54	Grub Screw	2	20
11	252.1.15	Brush Holder	2	100
12	253.1.05	Brush Cap	2	34
13	251.9.12	Carbon Brush	1 PAIR	76
14	832.3.43	Armature (helical)	1	1,478
14	830.3.84	Armature (s)	1	1,478
14	832.3.44	Armature (helical) 115v	1	1,776
14	830.3.85	Armature (s) 115v	1	1,776
15	821.3.01	Field Assly	1	998
15	821.3.02	Field Assly 115v	1	1,197
16	260.1.51	Motor Frame	1	1,259
17	600.1.62	Screw (field Screw)	2	20
18	344.1.05	Baffle Plate	1	25
19	603.1.03	Screw	1	20
20	302.1.53	Gear (helical)	1	418
21	275.1.77	Key	1	44
22	606.1.51	Washer	1	25
23	230.1.13	Washer	1	20
24	290.1.45	Spindle	1	223
25	311.1.19	Circlip	1	20
26	230.1.28	Washer	1	25
27	328.3.01	Chuck & Key	1	1,364
28	239.1.17	Insln Washer	2	20
29	232.1.14	Star Washer	2	20
30	226.1.07	Screw	1	20
31	600.1.85	Screw (body Screw)	2	20
32	278.1.57	Switch Cover	1	114
33	601.1.22	Cable Clamp Screw	2	20
34	360.1.28	Sleeve	1	34
35	403.3.61	Cable Assembly (with Two Connector & Sleeve)	1	256
36	279.1.40	Chuck Key Clamp	1	25
37	279.1.43	Cable Clamp	1	25
38	395.1.34	Earth Connector	1	20

Drg. No.	Part No.	Description	Qty./Tool	Price (₹)
39	601.1.36	Earting Screw	1	20
40	330.1.07	Switch	1	246
41	500.1.87	Switch Insulation	1	20
42	321.1.65	Spacer	2	34
45	270.1.23	I G Plate	1	320
46	265.1.25	Gear Box	1	424
47	272.1.55	Bearing (6200 Zz)	1	256
48	232.1.13	Washer	4	20
49	300.1.53	Gear (s)	1	418
51	395.1.25	Connector	1	25
8,44	272.1.04	Bearing (608 Zz)	2	257
16, 31 ,32	260.2.51	Motor Frame Assy	1	1,397
20,24,21	290.3.45	Spindle Assy	1	664

SPARES ▶

MODEL : 12063 / 12063A

6mm/10mm High Powered Compact Drill (Double Insulate)



MODEL : 12063 / 12063A

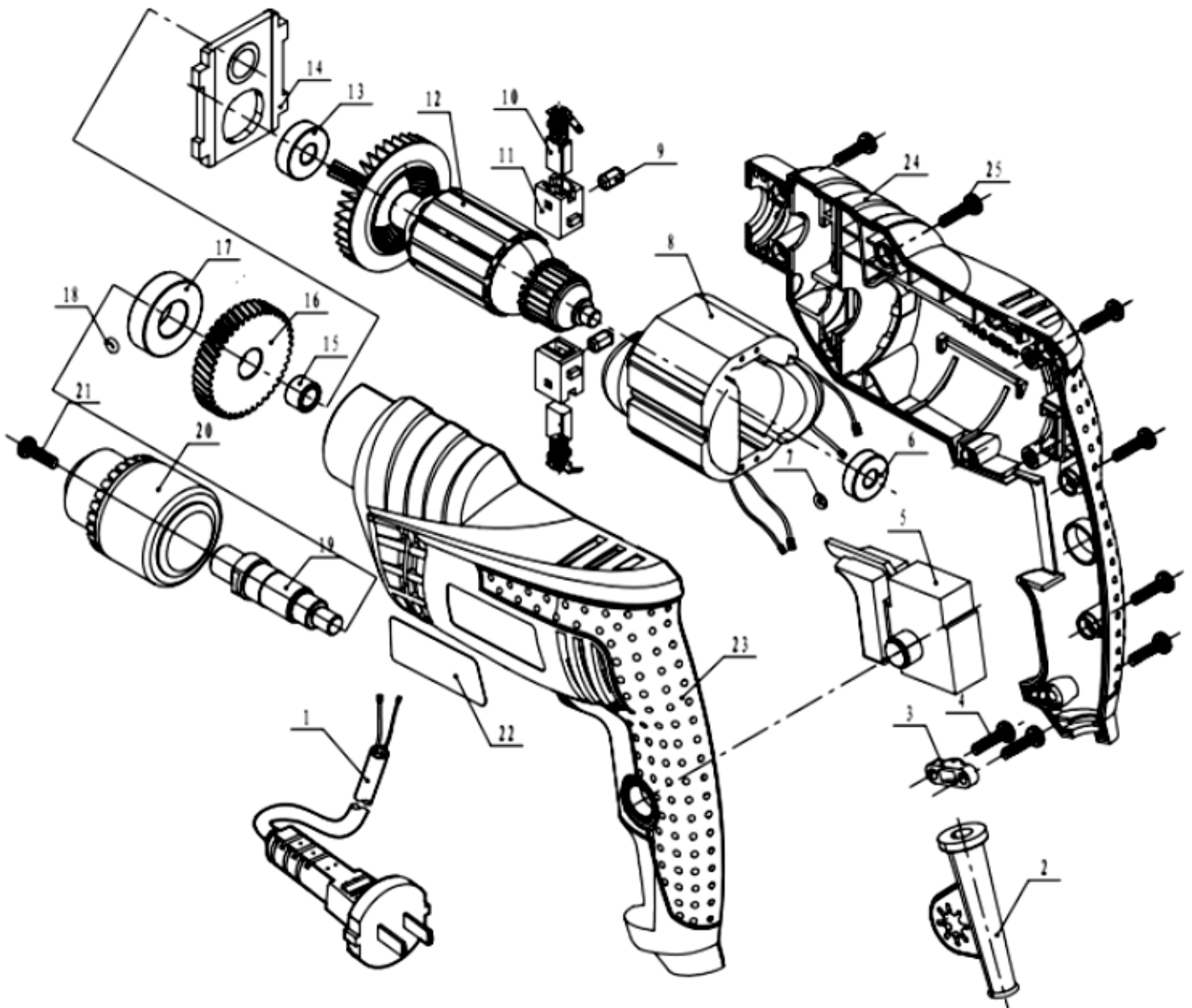
6mm/10mm High Powered Compact Drill (Double Insulate)

◀ SPARES

Drg. No.	Part No.	Description	Qty./Tool	Price (₹)
1	251.9.11	Carbon Brush	1 PAIR	76
2	252.1.39	Brush Holder	2	132
3	224.1.12	Screw	2	20
4	265.1.22	Gear Box	1	743
6	270.1.17	I G Plate	1	320
7	434.1.01	Shroud	1	89
8	260.1.87	Motor Frame	1	730
9	833.3.24	Armature	1	1,684
9	833.3.39	Armature 115v	1	2,021
10	822.3.70	Field Coil	1	1,372
10	822.3.77	Field Coil 115v	1	1,647
11	360.1.08	Sleeve (cable)	1	34
13	279.1.05	Cable Cleat	1	25
14	224.1.04	Screw	2	20
15	330.1.05	Switch	1	337
16	224.1.12	Screw	4	20
17	279.1.40	Cable Clamp (chuck Key Clamp)	1	25
18	502.1.01	Chuck Key For 6 Mm	1	59
18	502.1.05	Chuck Key For 10 Mm	1	180
20	328.3.01	6 Mm Chuck & Key For 12063	1	1,364
21	291.1.73	Spindle Gear	1	982
22	311.1.20	Circlip	1	25
23	272.1.89	Bearing (6002 Zz)	1	438
28	273.1.10	Bearing (bk0709/ Dbf 7119p)	1	278
29	601.1.43	Screw	2	20
30	231.1.14	Washer (for 12063)	2	20
31	268.1.32	End Bracket	1	449
32	364.1.65	Insert	2	20
33	623.1.29	End Cover	1	328
35	348.1.26	Bearing Retainer	1	25
37	236.1.29	Cork Washer	1	20
38	232.1.13	Washer (for 12063a)	4	20
40	615.1.57	Chuck Spacer	1	25
42	364.1.23	Insert	1	197
43	328.3.05	10 Mm Chuck & Key For 12063a	1	1,653
36,5	272.1.82	Bearing (607 Zz)	2	335
11,12,13	403.3.03	Cable Assembly	1	328

SPARES ▶

MODEL : 12110
10mm 550W Drill Machine



MODEL : 12110

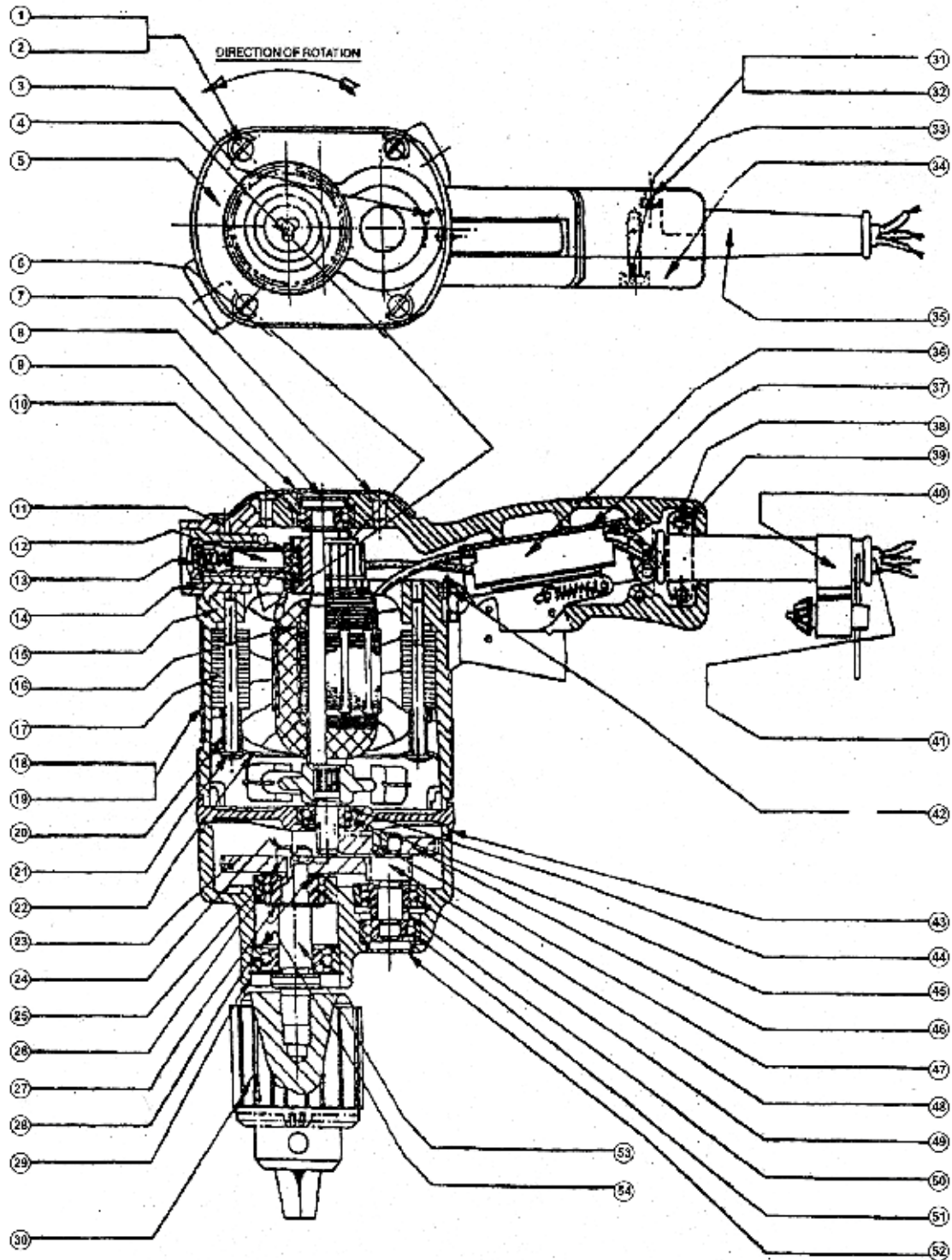
10mm 550W Drill Machine

◀ SPARES

Drg. No.	Part No.	Description	Qty./Tool	Price (₹)
1	3860.3.05	Cord / Cable Assly	1	272
2	3360.1.77	Cord Sleeve/ Cable Sleeve	1	13
4	3224.1.81	Screw St4.2*14	2	7
5	3330.1.43	Switch	1	361
6	272.1.82	Bearing 607	1	335
8	3820.3.72	Field 235v	1	694
8	3820.3.82	Field 115v	1	833
10	3251.9.41	Carbon Brush	1 PAIR	91
11	3252.1.31	Brush Holder	2	91
12	3830.3.72	Armature 235v	1	995
12	3830.3.82	Armature 115v	1	1,196
13	272.1.04	Bearing 608	1	257
14	3365.1.10	Bracket Holder	2	91
15	3273.1.12	Roller Bearing Hk081008	1	34
16	3300.1.13	Big Gear	1	256
17	272.1.89	Bearing 6002	1	438
19	3291.1.96	Spindle	1	97
20	328.3.06	10mm Chuck /1/2" Unf	1	1,601
23	3385.1.12	Left Housing	1	242
24	3385.1.13	Right Housing	1	242

SPARES ▶

MODEL : EJ3C
10mm Light Duty Drill





MODEL : EJ3C
10mm Light Duty Drill

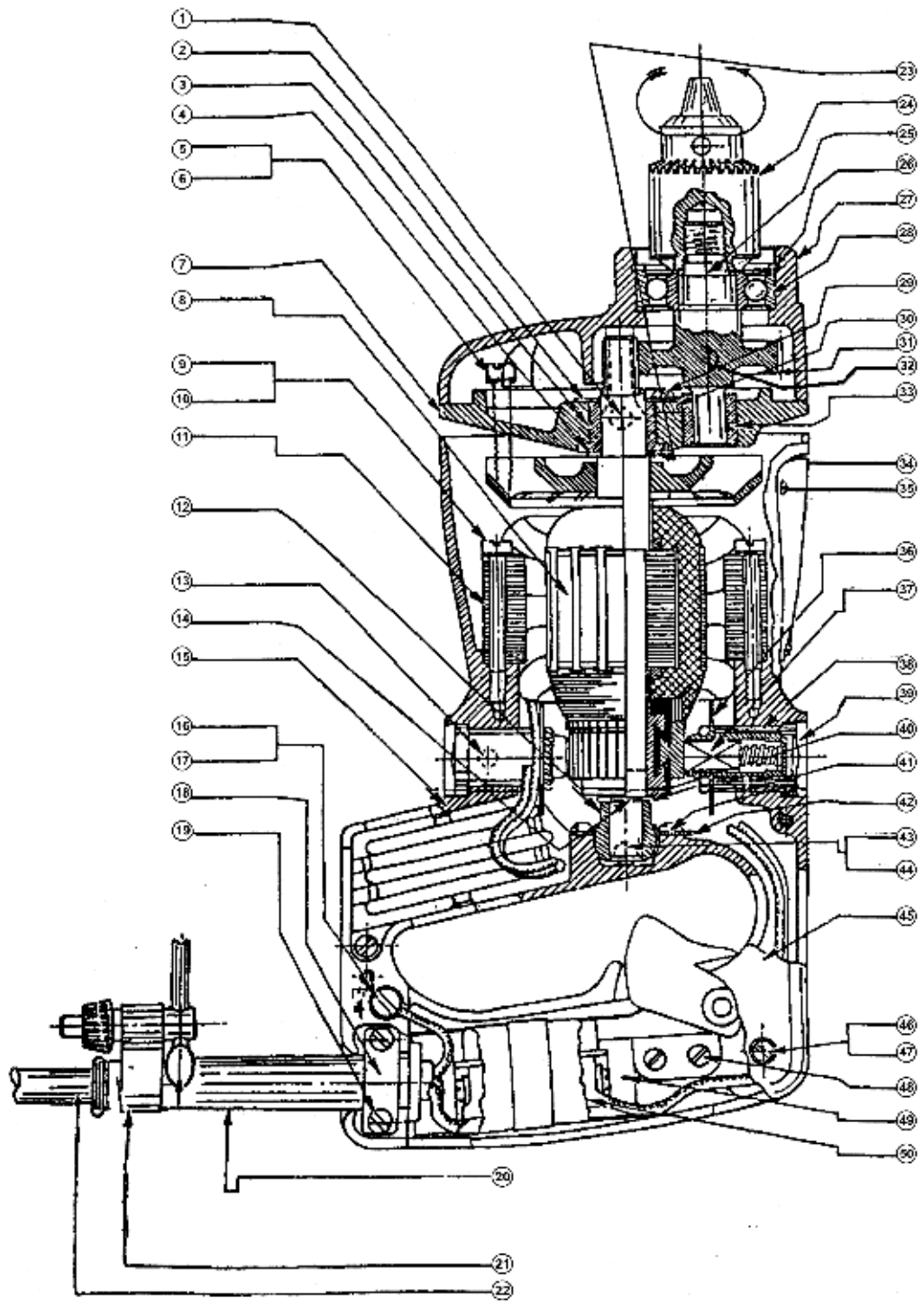
◀ SPARES

Drg. No.	Part No.	Description	Qty./Tool	Price (₹)
1	601.1.01	Screw	4	20
2	231.1.16	Washer	4	20
3	395.1.34	Earth Connector	1	20
4	239.1.17	Insln Washer	2	20
5	265.1.36	Gear Box	1	641
6	230.1.13	Washer	2	20
7	601.1.02	Screw	2	20
9	278.1.39	End Cover	1	89
11	602.1.54	Grub Screw	2	20
12	251.9.12	Carbon Brush	1 PAIR	76
13	253.1.05	Brush Cap	2	34
14	252.1.15	Brush Holder	2	100
15	260.1.51	Motor Frame	1	1,259
16	831.3.78	Armature (helical)	1	2,525
16	831.3.66	Armature (s)	1	2,525
16	831.3.79	Armature (helical) 115v	1	3,030
16	831.3.67	Armature (s) 115v	1	3,030
17	821.3.01	Field Coil	1	998
17	821.3.02	Field Coil 115v	1	1,197
19	225.1.01	Rivet	4	20
20	321.1.65	Distance Piece	2	34
21	600.1.62	Screw	2	20
22	344.1.05	Baffle Plate	1	25
23	300.1.55	Gear (s)	1	513
24	603.1.03	Screw	1	20
25	275.1.77	Key	1	44
26	272.1.22	Bearing 6200 Zz	1	303
28	272.1.23	Bearing 6201 Zz	1	246
29	311.1.20	Circlip	1	25
30	328.3.05	Chuck & Key	1	1,653
31	600.1.85	Screw	2	20
32	232.1.14	Washer	2	20
33	226.1.07	Screw	1	20
34	278.1.57	Switch Cover	1	114
35	360.1.28	Sleeve	1	34
36	330.1.07	Switch	1	246
37	500.1.87	Switch Insln Paper	1	20
38	601.1.22	Screw	2	20
39	279.1.43	Cable Clamp	1	25
40	279.1.47	Chuck Key Clamp	1	25
41	403.3.61	Cable Assembly	1	256

Drg. No.	Part No.	Description	Qty./Tool	Price (₹)
42	601.1.36	Screw	1	20
43	270.1.23	I G Plate	1	320
44	230.1.31	Washer	2	20
46	302.1.53	Gear (helical) Small	1	418
47	275.1.53	Key	1	44
48	300.1.88	Inter Pinion	1	466
49	272.1.19	Bearing 629 Zz	1	354
50	321.1.82	Spacer	1	50
53	290.1.65	Spindle	1	230
54	606.1.10	Washer	1	20
55	232.1.13	Washer	2	20
57	272.1.04	Bearing 608 Zz	1	257
8,52	312.1.13	Dished Blank	2	20
45,51	272.1.04	Bearing 608 Zz	2	257
15,31,34	260.2.51	Motor Frame Assy With Switch Cover	1	1,397
23,25,53	290.3.65	Spindle Assy (s)	1	777
46,47,48	302.3.53	Gear Assy (h)	1	908

SPARES ▶

MODEL : WD2C
6mm Heavy Duty Drill





MODEL : WD2C
6mm Heavy Duty Drill

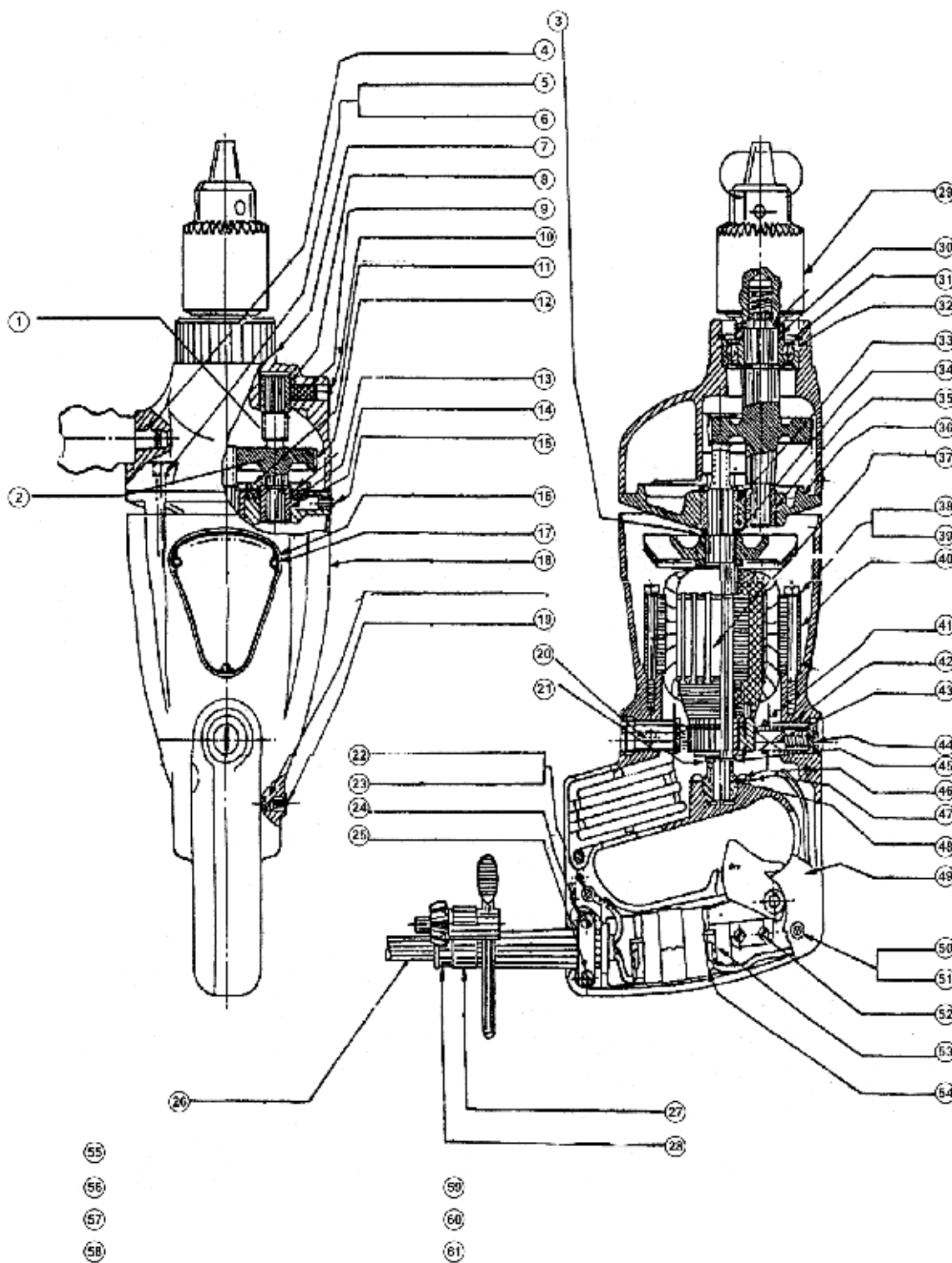
◀ SPARES

Drg. No.	Part No.	Description	Qty./Tool	Price (₹)
1	500.1.22	Oil Cup	2	34
2	401.1.09	Oil Reservoir	2	20
3	274.1.41	Bush Bearing Collar Bush	1	50
4	239.1.09	Washer	1	20
5	600.1.47	Screw	4	20
6	231.1.11	Washer	4	20
7	270.1.28	Gear Plate	1	533
8	831.3.70	Armature	1	2,938
8	831.3.71	Armature 115 V	1	3,525
9	600.1.69	Screw	2	25
11	821.3.61	Field Coil	1	1,684
11	821.3.62	Field Coil 115 V	1	2,021
12	274.1.31	Bush Bearing (matka Bush)	1	50
13	602.1.54	Grub Screw	2	20
14	322.1.21	Shim	2	20
15	260.1.53	Motor Frame	1	1,569
16	606.1.24	Washer	1	20
17	600.1.90	Screw	1	20
18	279.1.43	Cable Clamp	1	25
19	601.1.28	Screw	2	20
20	360.1.32	Sleeve	1	34
21	279.1.47	Cable Clamp	1	25
22	403.3.63	Cable Assembly	1	256
23	322.1.22	Shim	2	20
24	328.3.04	Chuck & Key	1	1,349
25	2291.1.84	Spindle (gear)	1	100
26	311.1.26	Circlip	1	20
27	265.1.37	Gear Box	1	572
28	272.1.65	Bearing (6203 Zz)	1	294
29	224.1.58	Screw	6	20
30	401.1.10	Oil Reservoir	1	20
31	2300.1.89	Gear	1	769
32	275.1.02	Key	1	44
33	274.1.40	Bush Bearing Plain	1	44
35	225.1.02	Screw	3	20
36	239.1.12	Washer	2	20
37	251.9.17	Carbon Brush	1 PAIR	76
38	252.1.28	Brush Holder	2	114
39	253.1.05	Brush Cap	2	34
40	239.1.10	Washer	1	20
42	348.1.39	Bearing Retainer	1	34

Drg. No.	Part No.	Description	Qty./Tool	Price (₹)
45	278.1.63	Switch Cover	1	320
46	600.1.85	Screw	3	20
47	231.1.16	Washer	3	20
48	224.1.16	Screw	2	25
49	499.1.30	Switch Insulation Paper	1	20
50	330.1.14	Switch	1	303
1,2,3,33	270.3.28	Igp Sub Assmely	1	671
25,31,32	2291.3.84	Spindle Assembly For Wd2c	1	891
41,43,44	260.2.53	Motor Frame Sub Assy	1	2,092

SPARES ▶

MODEL : WD3C/WD34C
10mm / 13mm Heavy Duty Drill





MODEL : WD3C/WD34C

10mm / 13mm Heavy Duty Drill

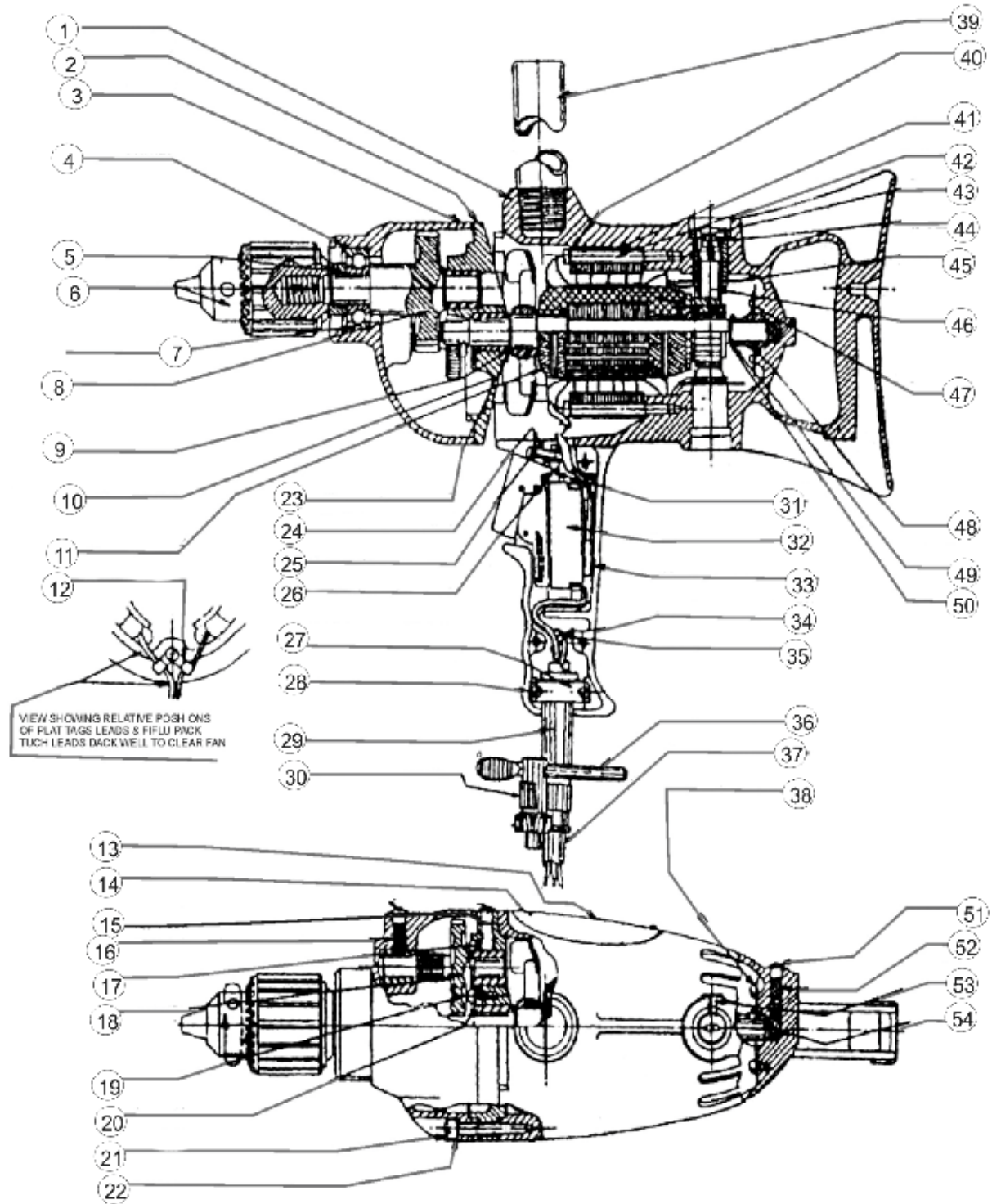
◀ SPARES

Drg. No.	Part No.	Description	Qty./Tool	Price (₹)
1	2291.1.82	Inter Pinion For Wd3c	1	565
2	275.1.02	Key	1	44
3	322.1.22	Shim	2	20
4	329.1.22	Side Handle	1	230
5	600.1.47	Screw	4	20
6	231.1.11	Washer	4	20
7	265.1.38	Gear Box	1	924
8	274.1.40	Bush Bearing	1	44
9	401.1.09	Oil Reservoir	3	20
10	500.1.22	Oil Cup	3	34
11	224.1.58	Screw	4	20
12	2300.1.89	Gear Wd2c/3c/34c	1	769
13	401.1.11	Oil Reservoir	1	20
17	225.1.02	Screw	3	20
18	260.1.53	Motor Frame	1	1,569
20	602.1.54	Grub Screw	2	20
21	322.1.21	Shim	2	20
22	606.1.24	Washer	1	20
23	600.1.90	Screw	1	20
24	279.1.50	Cable Clamp Wd34c	1	20
24	279.1.43	Cable Clamp Wd3c	1	25
25	601.1.28	Screw	2	20
28	360.1.32	Sleeve	1	34
29	328.3.06	Chuck & Key For Wd3c	2	1,601
29	328.3.03	Chuck & Key For Wd34c	1	1,697
30	321.1.85	Spacer	1	109
31	311.1.26	Circlip	1	20
32	272.1.65	Bearing 6203 Zz	1	294
33	274.1.41	Bush Bearing	1	50
34	239.1.09	Washer	1	20
36	270.1.29	I G Plate	1	588
37	832.3.06	Armature For Wd34c	1	3,364
37	832.3.07	Armature For Wd34c 115v	1	4,036
37	831.3.74	Armature For Wd3c	1	3,470
37	831.3.25	Armature For Wd3c 115 V	1	4,165
38	600.1.69	Screw	2	25
39	231.1.12	Washer	2	20
40	821.3.65	Field Coil For Wd3c	1	1,684
40	821.3.66	Field Coil For Wd3c 115v	1	2,021
40	821.3.61	Field Coil For Wd34c	1	1,684
40	821.3.62	Field Coil For Wd34c 115v	1	2,021

Drg. No.	Part No.	Description	Qty./Tool	Price (₹)
42	252.1.28	Brush Holder	2	114
43	251.9.17	Carbon Brush	1 PAIR	76
44	253.1.05	Brush Cap	2	34
45	239.1.10	Washer	1	20
47	348.1.39	Bearing Reatiner	1	34
48	274.1.31	Bush Bearing	1	50
49	278.1.63	Switch Cover	1	320
50	600.1.85	Screw	3	20
51	231.1.16	Washer	3	20
52	224.1.16	Screw	2	25
53	499.1.30	Switch Insulation Paper	1	20
54	330.1.14	Switch	1	303
55	401.1.13	Oil Reservoir	1	20
56	2291.1.85	Chuck Spindle Wd3c	1	181
57	275.1.03	Key For Wd3c	1	34
58	2300.1.90	Gear Wd3c	1	588
59	290.1.72	Chuck Spindle Wd34c	1	449
60	275.1.52	Key For Wd34c	1	44
61	300.1.56	Gear Wd34c	1	664
62	2291.1.83	Inter Pinion For Wd34c	1	671
1,2,12	2291.3.82	Spindle Assembly For Wd3c	1	1,358
12,62,2	2300.3.89	Gear Assembly Wd34c	1	1,472
56,57,58,	2300.3.90	Gear Assembly Wd3c	1	794
59,60,61	290.3.72	Spindle Assy Of Wd34c	1	1,145
18,49,50	260.2.53	Motor Frame Sub Assy 3c/34c	1	2,092
57,51,48,47	270.3.29	Ig Plate Assembly	1	785
11,55,10,9				
36,8,33				
11, 13,9,10				
7,9,10	265.2.38	Gear Box Assembly	1	998
35,31				

SPARES ▶

MODEL : SD4C
13mm Light Duty Drill



MODEL : SD4C
13mm Light Duty Drill

◀ SPARES

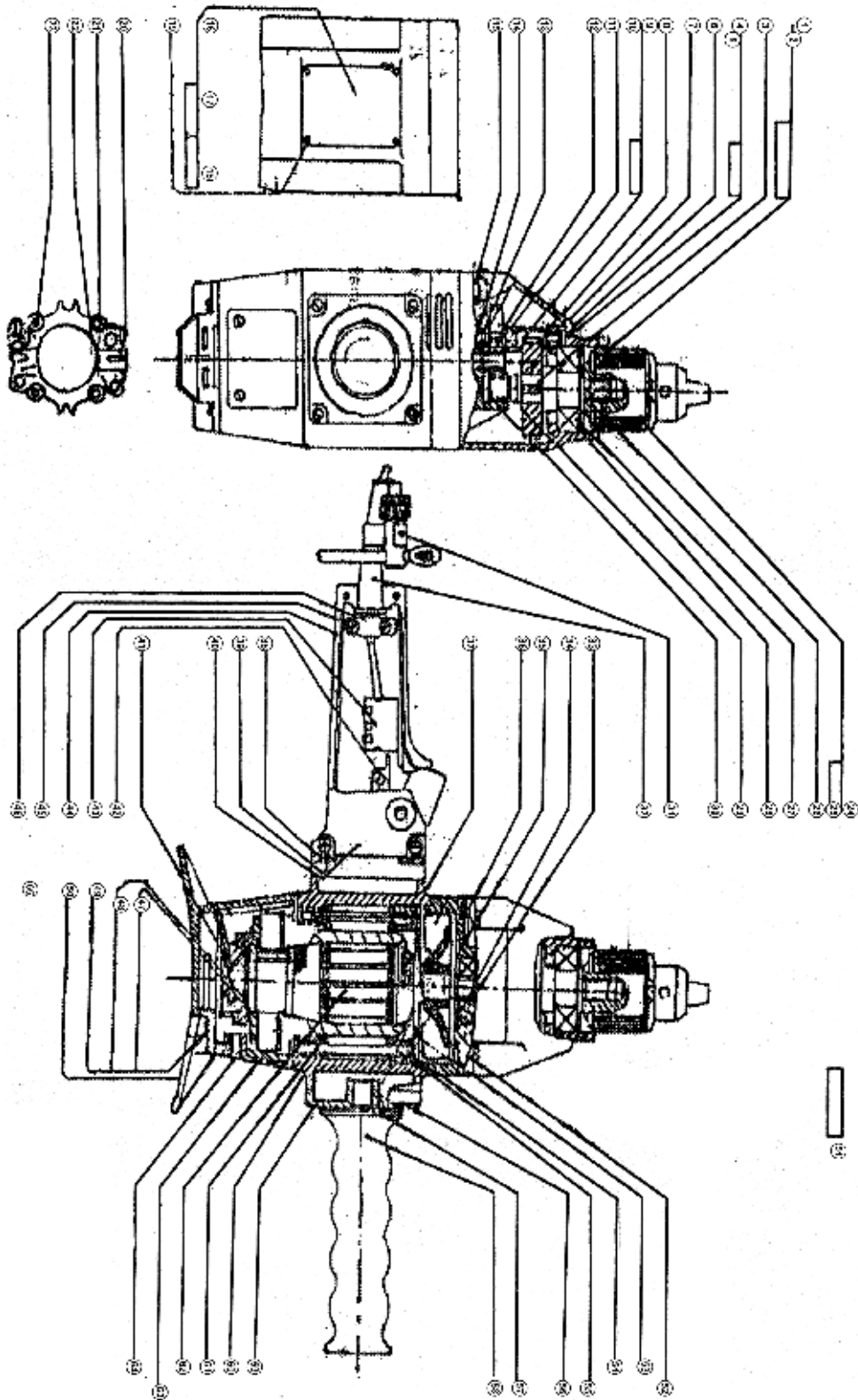
Drg. No.	Part No.	Description	Qty./Tool	Price (₹)
1	260.1.55	Motor Frame	1	2,393
2	270.1.30	I G Plate Casting	1	605
3	265.1.39	Gear Box	1	539
4	311.1.26	Circlip	1	20
5	321.1.86	Spacer	1	109
6	328.3.03	Chuck & Key	1	1,697
7	272.1.65	Bearing 6203 Zz	2	294
8	300.1.82	Gear	1	1,055
10	233.1.25	Wave Washer	1	25
11	831.3.62	Armature	1	2,204
11	831.3.63	Armature 115 V	1	2,645
12	395.1.22	Connector	2	20
14	225.1.02	Rivet	2	20
15	500.1.22	Oil Cup	3	34
16	401.1.09	Oil Reservoir	2	20
17	401.1.12	Oil Reservoir	1	20
18	300.1.81	Gear	1	1,129
18	2300.1.81	Gear	1	223
19	224.1.58	Screw	4	20
19	224.1.58	Screw	1	20
20	279.1.51	Clamp	1	20
21	600.1.26	Screw	4	20
22	231.1.15	Washer	4	20
23	322.1.22	Shim	2	20
25	232.1.13	Washer	2	20
26	601.1.03	Screw	2	20
27	279.1.43	Cable Clamp	1	25
28	601.1.28	Screw	2	20
29	360.1.32	Sleeve	1	34
30	279.1.50	Clamp	1	20
31	365.1.25	Bracket	1	44
32	330.1.07	Switch	1	246
33	499.1.31	Switch Insulation Paper	1	20
34	600.1.89	Screw	1	20
35	606.1.24	Washer	1	20
36	502.1.02	Chuck Key	1	100
39	329.1.23	Tubular Handle	1	148
40	231.1.12	Washer	2	20
41	821.3.69	Field Coil	1	1,478
41	821.3.70	Field Coil 115v	1	1,776
42	600.1.70	Screw	2	20

Drg. No.	Part No.	Description	Qty./Tool	Price (₹)
43	253.1.05	Brush Cap	2	34
44	252.1.28	Brush Holder	2	114
45	239.1.12	Insln Washer	2	20
46	251.9.17	Carbon Brush	1 PAIR	76
47	348.1.39	Bearing Retainer	1	34
48	274.1.31	Bush Brg	1	50
49	239.1.10	Washer	1	20
50	322.1.21	Shim	1	20
53	602.1.54	Grub Screw	2	20
54	401.1.13	Oil Reservoir	1	20
55	2291.1.80	Spindle	1	230
56	275.1.53	Key	1	44
58	600.1.85	Screw	3	20
60	601.1.16	Screw	2	20
61	278.1.68	Switch Cover	1	148
62	239.1.09	Washer	1	20
63	403.3.62	Cable Assembly	1	353
18,55,56	2300.3.81	Gear Assembly	1	148
1,61,58 48,47,19 54,52,15	260.2.55	Motor Frame Sub Assy	1	2,712
2,15,16 17,19,20	270.3.30	Ig Plate Assembly	1	664

SPARES ▶

MODEL : 14130

13mm Heavy Duty High Powered Drill (Double Insulated)





MODEL : 14130

◀ SPARES

13mm Heavy Duty High Powered Drill (Double Insulated)

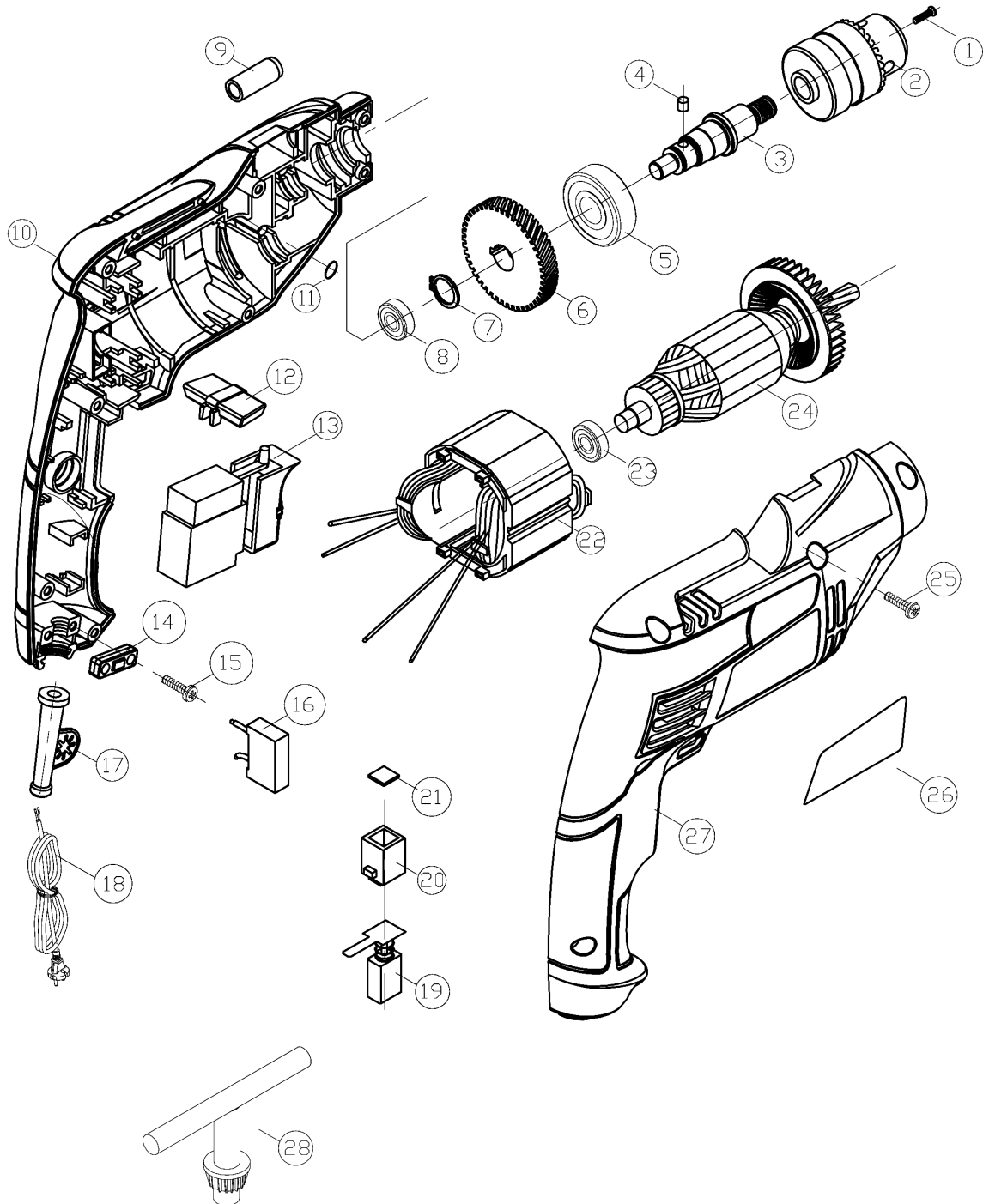
Drg. No.	Part No.	Description	Qty./Tool	Price (₹)
1	321.1.42	Spacer	1	100
2	321.1.50	Spacer For 14200	1	100
3	275.1.03	Key	1	34
4	300.1.46	Gear	1	930
5	300.1.47	Gear For 14200	1	998
6	265.1.24	Gear Box	1	735
7	273.1.08	Needle Roller Brg (Db7119p)	1	223
9	290.1.51	Spindle 14130	1	477
11	302.1.13	Gear	1	834
12	275.1.02	Key	1	44
14	273.1.10	Needle Roller Brg (bk0709) 9dbf7119p)	1	278
15	224.1.11	Screw	4	20
20	220.1.02	Screw	2	20
21	251.9.03	Carbon Brush	1 PAIR	114
22	310.1.06	Spring	2	44
23	224.1.03	Screw	6	20
24	328.3.03	Chuck & Key	1	1,697
25	362.1.06	Chuck & Key For 14200	1	1,788
26	290.1.43	Spindle	1	172
27	272.1.87	Bearing (6204 Zz)	1	489
28	311.1.44	Circlip	1	25
29	311.1.45	Circlip	1	20
30	273.1.18	Needle Roller Brg (101410p)	1	238
31	279.1.50	Clamp	1	20
32	403.3.02	Cable Assembly	1	328
33	272.1.23	Bearing (6201 Zz)	1	246
34	220.1.16	Screw	3	20
35	348.1.24	Bearing Retainer	1	59
36	500.1.33	Dowel	1	50
37	231.1.02	Washer	2	20
39	224.1.24	Screw	4	8
40	329.1.16	Handle Top	1	156
41	862.3.03	Br Holder Bkt	1	156
42	224.1.01	Screw	2	20
43	330.1.02	Switch	1	328
44	329.1.15	Handle Bottom	1	172
46	279.1.05	Clamp Cleat For 14200/230	1	25
47	272.1.22	Bearing (6200 Zz)	1	303
49	224.1.10	Screw	4	20
50	278.1.27	End Cover	1	123

Drg. No.	Part No.	Description	Qty./Tool	Price (₹)
51	337.1.01	Drift For 14200/230	1	84
52	270.1.22	Gear Plate	1	508
53	344.1.02	Baffle Plate	1	89
54	230.1.02	Screw	2	20
57	231.1.06	Washer	1	20
58	329.1.44	Side Handle	1	320
59	365.1.65	Bracket	1	132
60	260.1.12	Motor Frame	1	2,393
61	821.3.91	Field Coil	1	1,895
61	822.3.74	Field Coil 115v	1	2,273
62	830.3.29	Armature	1	3,152
62	832.3.11	Armature 115v	1	3,782
63	623.1.53	Inspection Cover	2	50
64	220.1.58	Screw	2	25
66	311.1.03	Circlip	1	20
67	338.1.01	Sleeve For 14200/230	1	238
68	231.1.02	Washer For 14200/230	1	20
38,56	224.1.04	Screw	8	20
6,7	265.2.24	Gear Box Assy	1	957
3,4,26,	290.3.43	Spindle Assy	1	1,134
7,14,52,	270.2.22	I.g. Plate Assy	1	1,006
9,11,12	302.3.13	Gear Assy(gear,spindle,key)	1	1,341

SPARES ▶

MODEL : 14100

13mm Heavy Duty High Powered Drill (Double Insulated)



MODEL : 14100

◀ SPARES

13mm Heavy Duty High Powered Drill (Double Insulated)

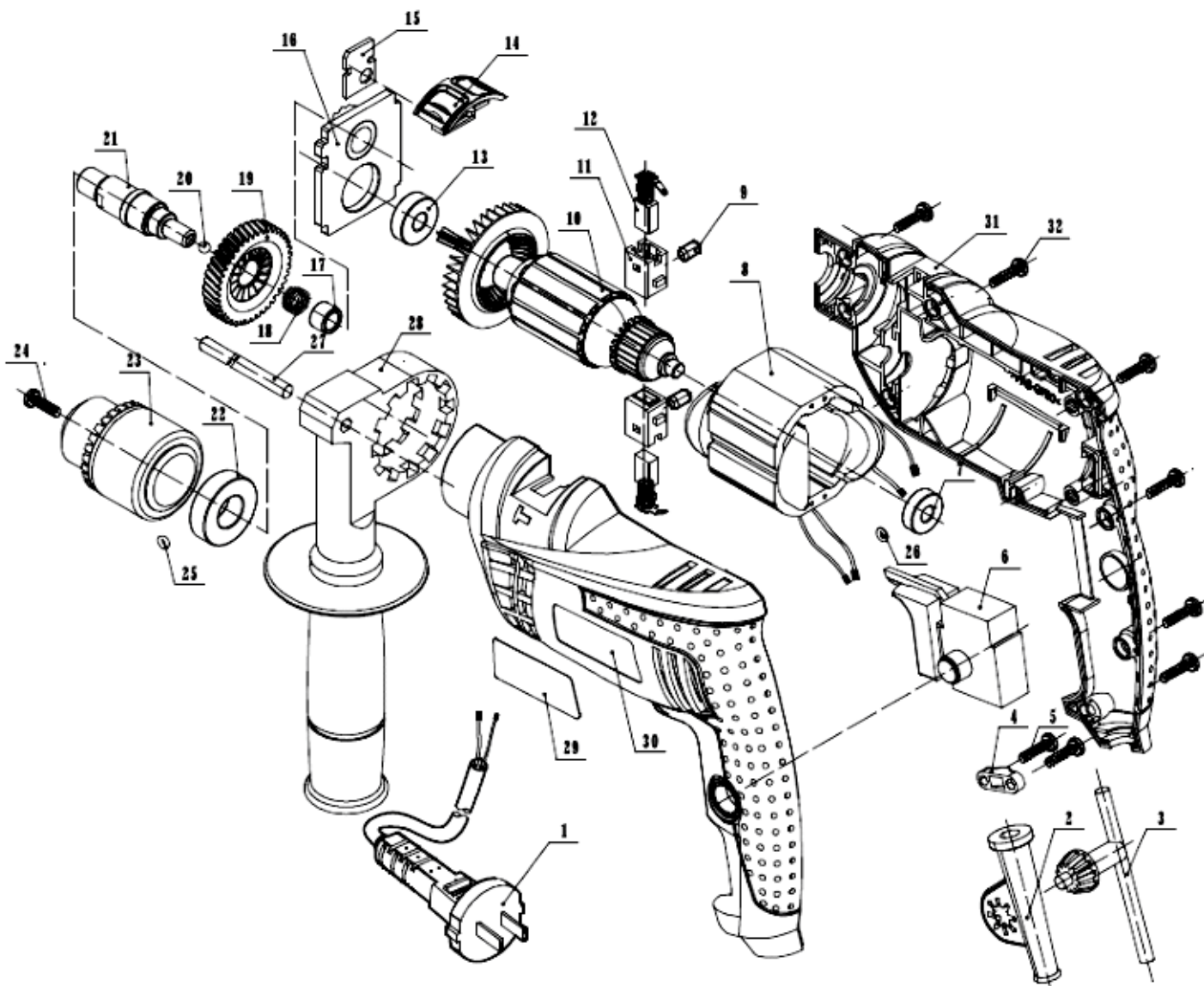
Drg. No.	Part No.	Description	Qty./Tool	Price (₹)
1	3226.1.02	Screw	1	2
2	328.3.05	Chuck	1	1,653
3	3291.1.29	Spindle	1	93
4	3502.1.06	Steel Ball	1	6
5	272.1.89	Bearing (6002rz)	1	438
6	3306.1.05	Gear	1	145
7	3311.1.57	Shaft Retaining Ring	1	2
8	272.1.99	Bearing (698 Z)	1	93
9	3503.1.01	Horizontal Bulb	1	8
10	3325.1.01	Left Motor Housing	1	214
11	3431.1.68	O -ring	6	2
12	3504.1.01	Reverse And Forward Button	1	35
13	3330.1.41	Adjusting Speed Switch	1	402
14	3505.1.01	Strain Relief	1	2
15	3226.1.03	Screw	2	2
16	3317.1.02	Capacitor	1	65
17	3360.1.75	Cord Guard	1	8
18	3360.1.76	Cord	1	281
19	3251.9.39	Carbon Brush	1 PAIR	110
20	3252.1.29	Copper Brush Holder	2	82
21	3506.1.12	Heat Resisting Sheet	2	2
22	3820.3.70	Field 235v	1	642
23	272.1.99	Bearing (698 Z)	1	93
24	3830.3.70	Armature (235v)	1	935
25	3226.1.04	Screw	8	2
26	3260.1.30	Label	1	6
27	3275.1.30	Right Motor Housing	1	196
28	272.1.04	Bearing (608 Fan Side)	1	257



SPARES ►

MODEL : 16130

13mm Impact Drill (Double Insulated)



MODEL : 16130

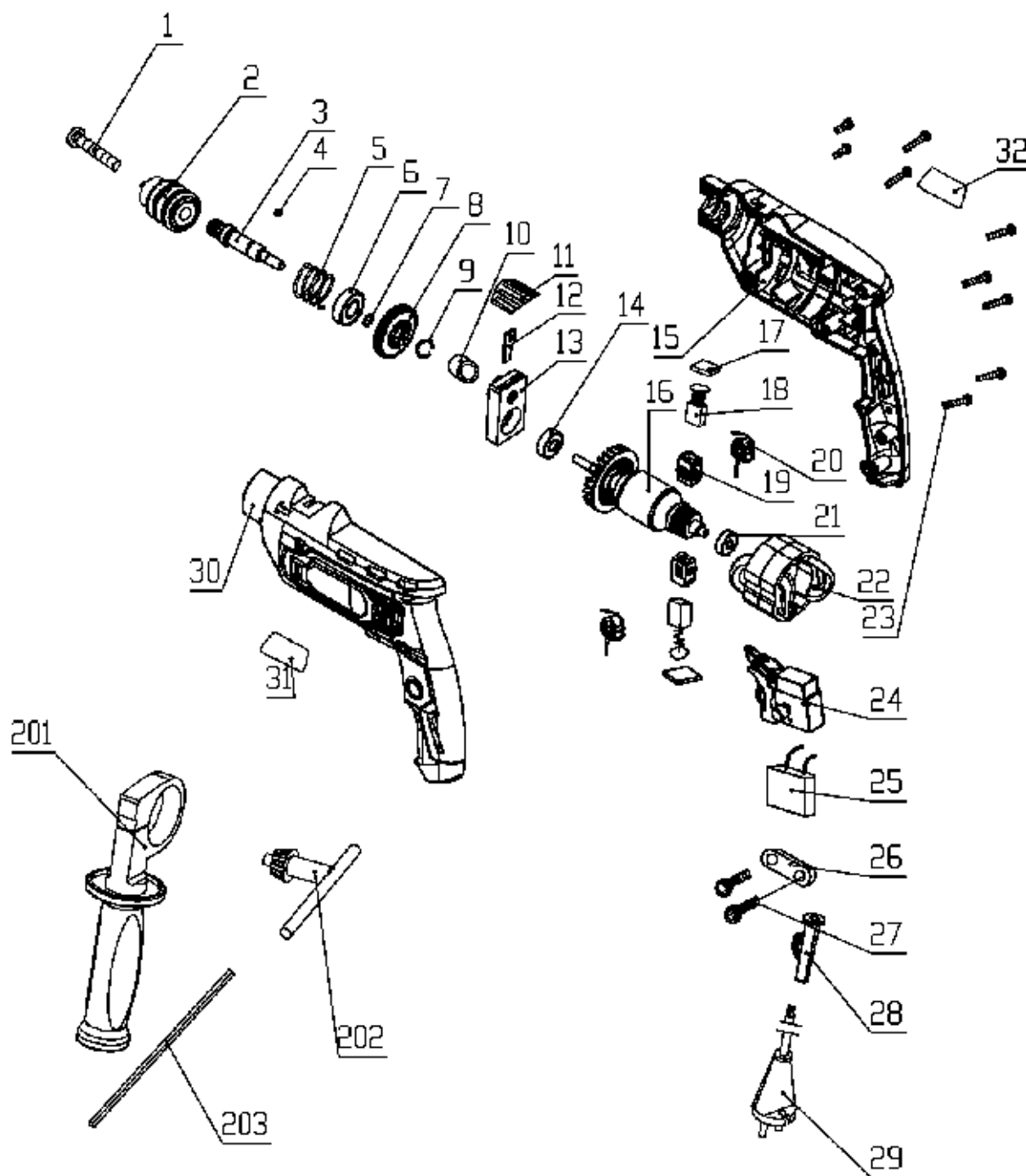
13mm Impact Drill (Double Insulated)

◀ SPARES

Drg. No.	Part No.	Description	Qty./Tool	Price (₹)
1	3403.1.01	Cable	1	308
2	3360.1.30	Cable Sleeve	1	14
3	3502.1.01	Chuck Key	1	15
4	3279.1.30	Cable Clamp	1	18
5	3224.1.48	Screws For St 4.2*14	2	7
6	3330.1.36	Switch	1	308
7	272.1.82	Bearing 607 Zz	1	335
8	3820.3.62	Field Coil	1	585
8	3820.3.52	Field Coil 115v	1	702
9	3279.1.31	Rubber Column 5*8	2	7
10	3830.3.62	Armature	1	769
10	3830.3.52	Armature 115v	1	923
11	3252.1.24	Carbon Brush Holder	2	135
12	3251.9.32	Carbon Brush	1 PAIR	94
13	272.1.04	Bearing 608 Zz	1	257
14	3504.1.01	Button For Impact Action	1	35
15	3310.1.34	Impact Washer	1	35
16	3365.1.07	Bracket	1	127
17	3273.1.10	Needle Bearing 081008	1	34
18	3310.1.35	The Return Spring For Impact	1	15
19	3306.1.43	Big Gear	1	389
20	3502.1.02	Steel Ball	1	15
21	3291.1.25	Spindle	1	112
22	272.1.89	Bearing 6002 Zz	1	438
23	328.1.03	Chuck 13mm 1/2" Unf	1	496
24	3600.1.33	Screws M5x22	1	7
25	3431.1.38	O Ring 4*1.8	1	7
26	3431.1.39	O Ring 2.5*1.8	1	7
27	3511.1.45	Ruller	1	148
28	3329.1.28	Side Handle	1	114
30	3346.1.03	Left Housing Body	1	369
31	3346.1.04	Right Housing Body	1	369
32	3224.1.49	Screws For St 4.2*16	9	7

SPARES ▶

MODEL : RDK13
13mm Impact Drill KITS



MODEL : RDK13
13mm Impact Drill KITS

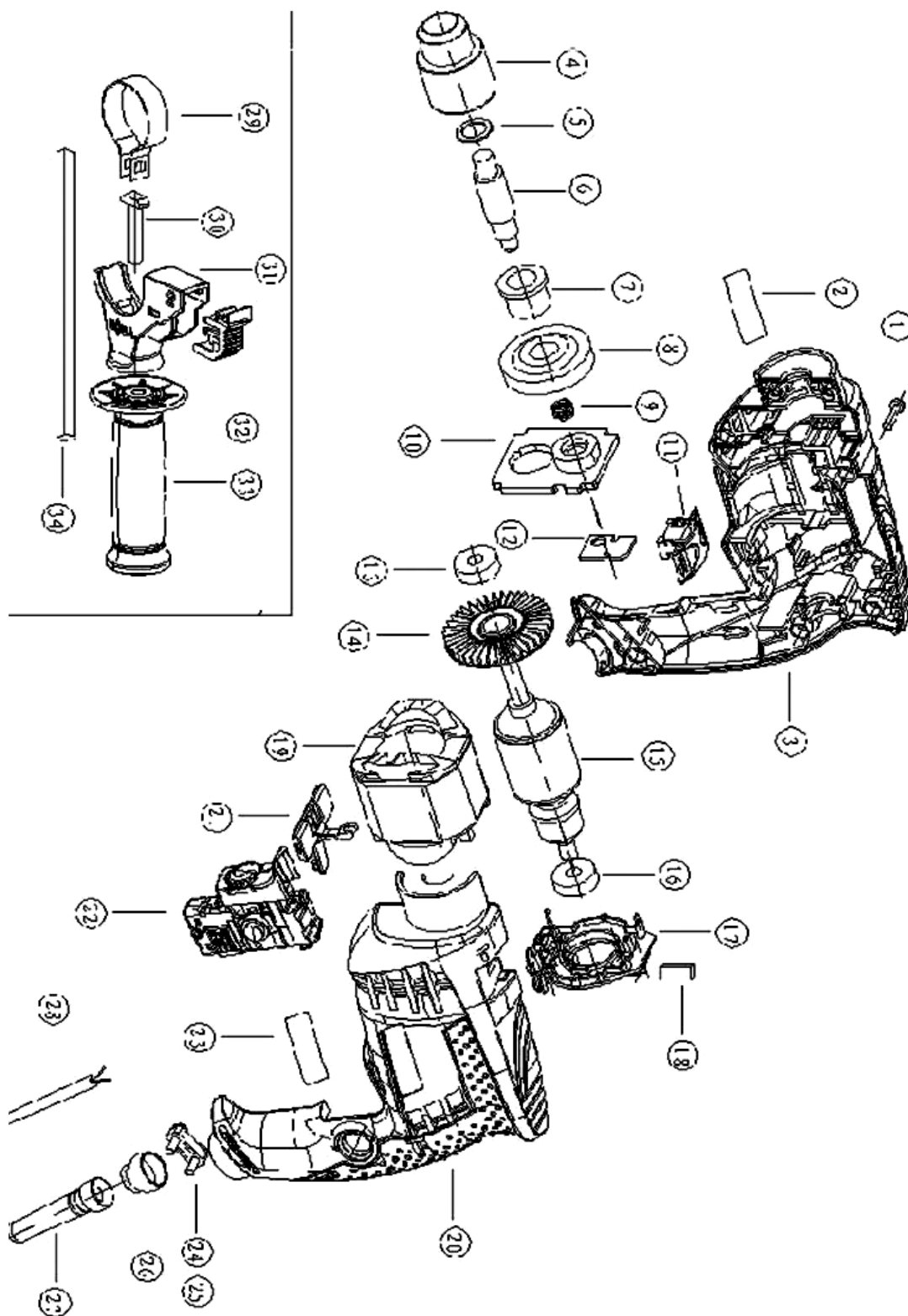
◀ SPARES

Drg. No.	Part No.	Description	Qty./Tool	Price (₹)
1	3326.1.69	Screw M5×25	1	4
2	328.3.03	13mm Chuck	1	1,697
3	3291.1.43	Out-put Axes / Spindle	1	61
4	3500.1.11	Iron Shot Ø3 / Steel Ball	1	4
5	3310.2.01	Spring	1	4
6	272.1.59	Bearing 6001rs	1	281
7	3311.1.87	Circlip For Shaft Ø12	1	2
8	3300.1.40	Big Gear	1	61
9	3311.1.88	Circlip For Shaft	1	2
10	3274.1.34	Steel Bushing	1	15
11	3503.1.30	Impact Button	1	6
12	3503.1.31	Impact Dollop	1	6
13	3503.1.32	Block	1	65
14	272.1.04	Bearing608#	1	257
15	3260.1.46	Right Housing	1	149
16	3831.3.11	Armature	1	602
16	3831.3.61	Armature (110v)	1	722
17	3253.1.38	Brush Cup	2	4
18	3251.9.61	Carbon Brush	1 Pair	51
19	3326.1.72	Brush Nut / Brush Holder	2	17
20	3503.1.33	Inductance Assembly	1	17
21	272.1.21	Bearing626#	1	258
22	3821.3.11	Field	1	301
22	3821.3.61	Field (110v)	1	361
23	3326.1.70	Screw St4×16	9	4
24	3330.1.65	Switch	1	166
25	3317.1.08	Capacitor	1	17
26	3433.1.01	Tension Disc / Cable Clamp	1	4
27	3326.1.71	Screw St4×14	2	4
28	3290.1.11	Supply Cord / Cable Sleeve	1	4
29	3433.1.02	Plug / Cable Assy	1	133
30	3260.1.47	Left Housing	1	149
31	3438.1.03	Left The Trademark	1	6
32	3438.1.04	The Right Of Trademark	1	6
201	3329.2.03	Side Handle Assembly	1	67
202	3502.1.31	Chuck/key	1	17
203	3502.1.32	Staff	1	4

SPARES ▶

MODEL : 18130

13mm Impact Drill (Double Insulated)



MODEL : 18130

13mm Impact Drill (Double Insulated)

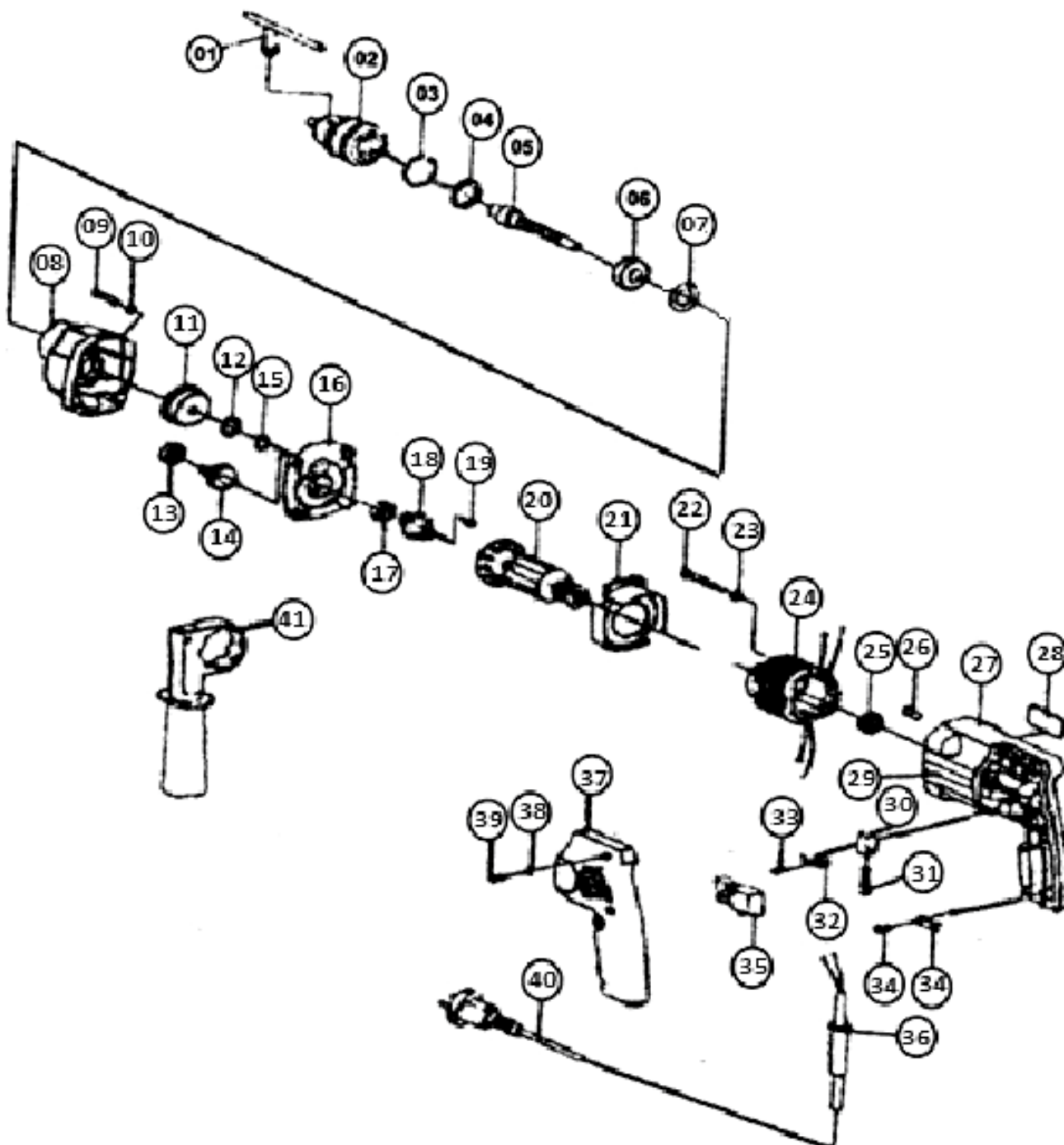
◀ SPARES

Drg. No.	Part No.	Description	Qty./Tool	Price (₹)
1	3226.1.05	P H Screw (st4x16)	7	30
2	3350.1.27	Name Plate (1)	1	7
3	3260.1.32	Right Casing	1	224
4	328.3.03	Chuck	1	1,697
5	3398.1.08	Gasket (19x12.6x1)	1	7
6	3291.1.30	Spindle	1	103
7	3274.1.30	Oil Bearing	1	26
8	3300.1.12	Big Gear	1	195
9	3310.1.52	Spring	1	2
10	3506.1.01	Impact Block	1	85
11	3506.1.02	Impact Dial Button	1	46
13	272.1.04	Deep Groove Ball Bearing (608rs)	1	257
14	3506.1.04	Fan	1	26
15	3830.3.71	Armature 235v	1	995
16	272.1.04	Deep Groove Ball Bearing(608rs)	1	257
17	3252.1.30	Carbon Brush Holder	1	235
18	3251.9.40	Carbon Brush	1 PAIR	91
19	3820.3.71	Field 235v	1	654
20	3260.1.31	Left Casing	1	212
21	3504.1.02	Swith Button	1	19
22	3330.1.42	Switch	1	365
23	3350.1.28	Name Plate (2)	1	7
24	3506.1.05	Line Pressing Board	1	2
25	3226.1.05A	Cross Pan Head Screw (St4x16)	2	2
26	3506.1.06	Plastic Sheath	1	9
27	3506.1.13	Cable Sheath	1	7
28	3290.1.05	Cable	1	298
29	3506.1.07	Embrace Hoop Assly	1	330
35	3226.1.06	Chuck Fitting Screw	1	7

SPARES ►

MODEL : RW10

10mm/16mm Two Speed Drill



MODEL : RW10

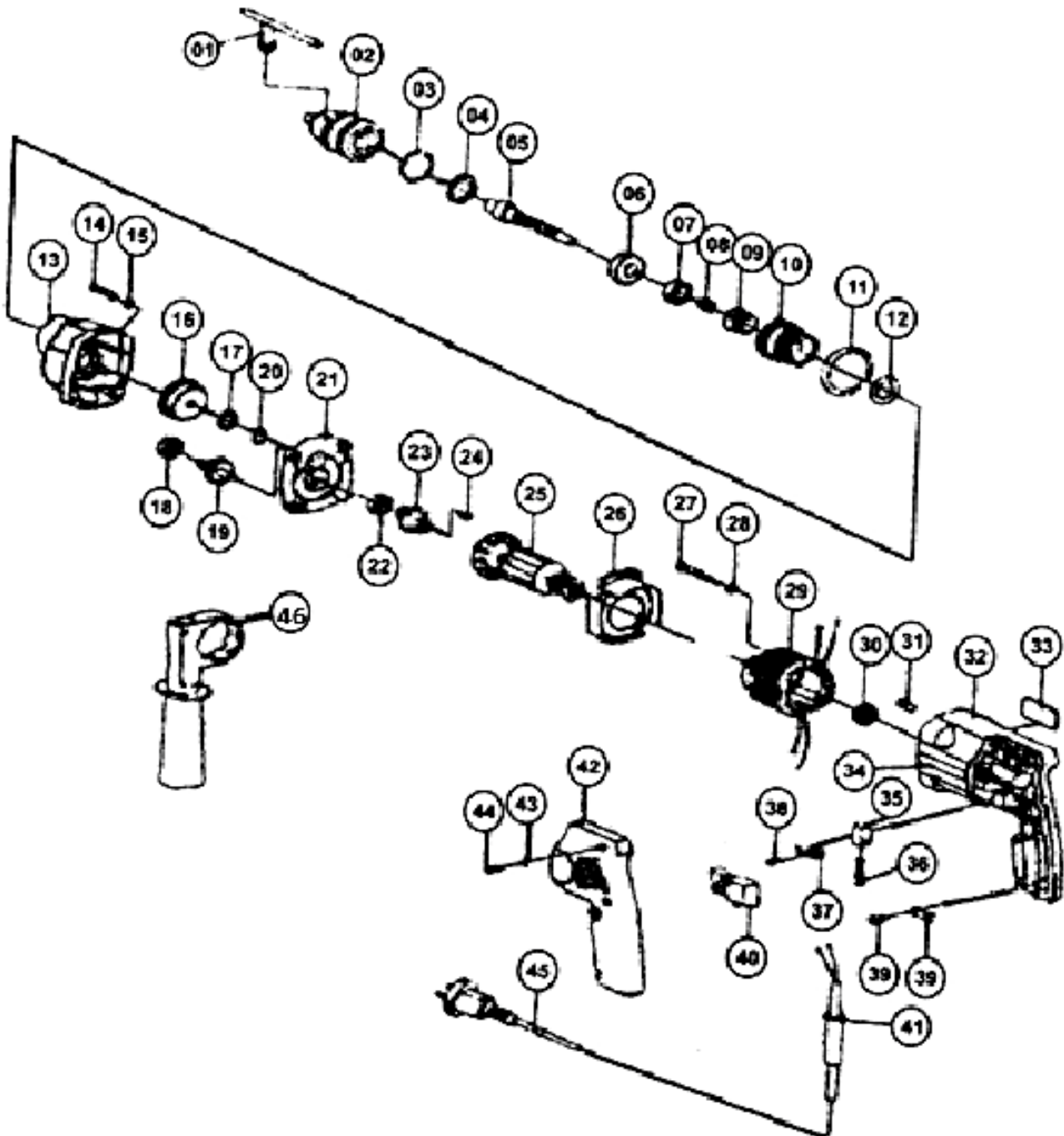
10mm/16mm Two Speed Drill

Drg. No.	Part No.	Description	Qty./Tool	Price (₹)
1	2502.1.01	Chuck Wrench	1	52
2	2328.1.01	Drill Chuck	1	288
3	2348.1.01	C Tyoe Retaining Ring	1	8
4	2348.1.03	Dust Seal	1	5
5	2290.1.02	Spindle	1	105
6	272.1.89	Ball Bearing 62002	1	438
7	2230.1.10	Washer	1	5
8	2265.1.01	Gear Box	1	288
9	2224.1.19	Tapping Screw D5x35	4	8
10	2232.1.04	Lock Washer	4	8
11	2302.1.06	Gear	1	212
12	2230.1.11	Washer	1	5
13	2431.1.06	C-type Retaining Ring	1	13
14	272.1.04	Ball Bearing 608zz	1	257
15	2302.1.07	Second Pinion Assly	1	60
16	2346.1.04	Inner Cover Assly	1	118
17	272.1.04	Ball Bearing 608zz	1	257
18	2312.1.04	Bearing Holder	1	16
19	2224.1.20	Flat Head Screw	2	2
20	2830.3.18	Armature	1	654
21	3244.1.01	Fan Guide	1	47
22	2224.1.21	S. Tapping Screw D4x55	2	3
23	2230.1.12	Washer	2	5
24	2820.3.18	Filed	1	471
25	272.1.04	Ball Bearing 608zz	1	257
26	2312.1.05	Bearing Lock	1	8
27	2385.1.02	Housing	1	233
29	2348.1.01	Lable	1	8
30	2252.1.06	Brush Holder	2	26
31	2251.1.06	Carbon Brush	1 Pair	47
32	2253.1.06	Holder Pieces	2	8
33	2224.1.22	Tapping Screw D4x45	4	3
34	2279.1.03	Cord Clip	2	3
35	2330.1.03	Switch	1	39
36	2360.1.03	Cord Armor	1	13
37	2278.1.09	Handle Cover	1	78
38	2230.1.13	Washer	3	1
39	2224.1.23	Tapping Screw D4x20	3	3
40	2290.3.4	Cord	1	131
41	2329.1.03	Side Handle	1	52

SPARES ▶

MODEL : RW13

13mm-23mm Heavy Duty Drill / 20mm Heavy Duty Drill (Chuck Model)





MODEL : RW13

◀ SPARES

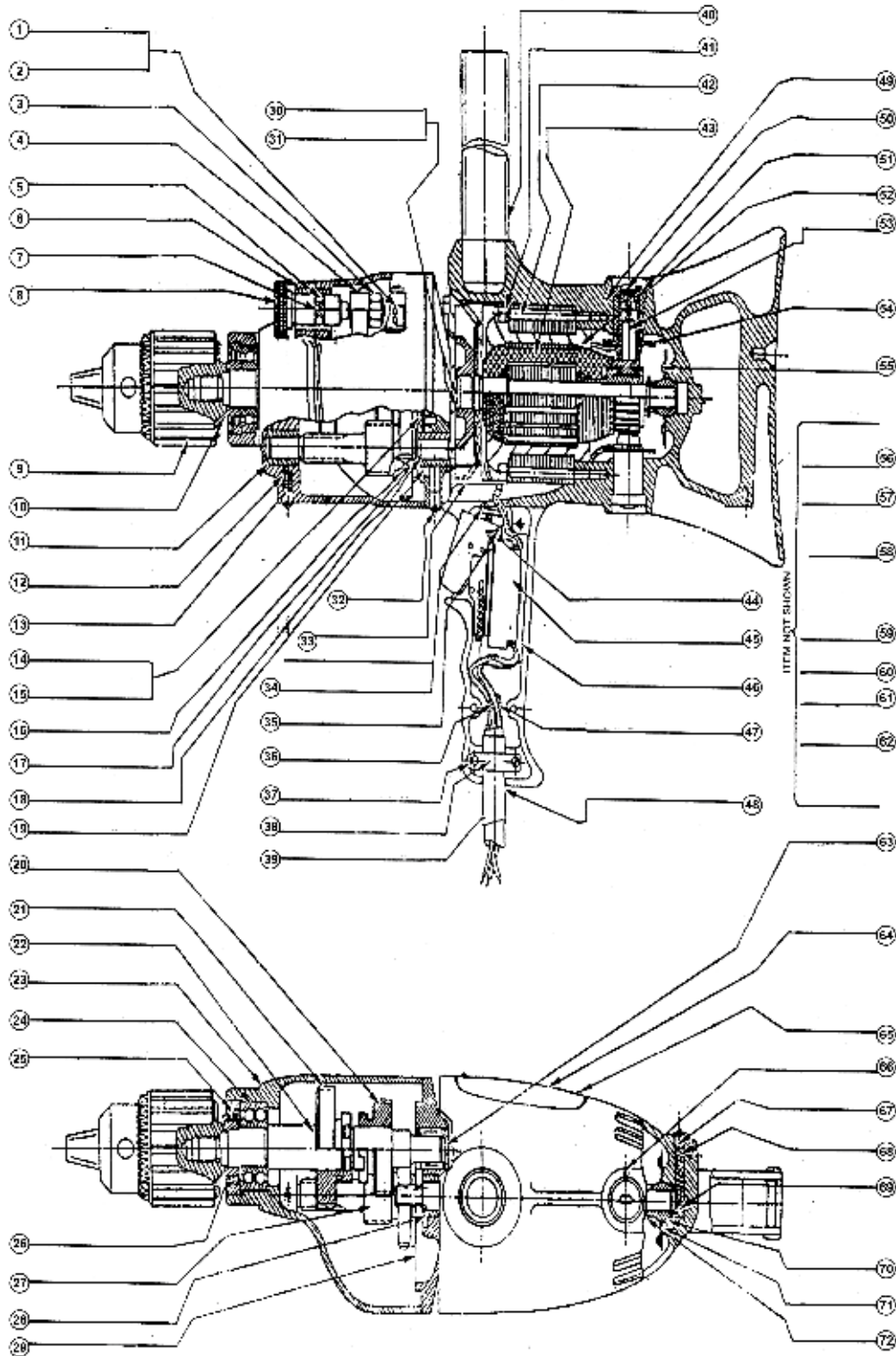
13mm-23mm Heavy Duty Drill / 20mm Heavy Duty Drill (Chuck Model)

Drg. No.	Part No.	Description	Qty./Tool	Price (₹)
1	2502.1.01	Check Wrench	1	52
2	2328.1.01	Drill Check	1	288
3	2348.1.01	C Tyoe Retaining Ring	1	8
4	2348.1.03	Dust Seal	1	5
5	2290.1.01	Spindle	1	118
6	272.1.89	Ball Bearing 6002	1	438
7	2347.1.01	Rachet (b)	1	73
8	2310.1.01	Spring	1	16
9	2347.1.02	Rachet (a)	1	73
10	2431.1.04	Change Ring	1	157
11	2431.1.05	O-ring	1	10
12	2230.1.10	Washer	1	5
13	2265.1.03	Gear Cover/box	1	288
14	2224.1.19	Tapping Screw D5x35	4	8
15	2232.1.04	Lock Washer	4	8
16	2302.1.04	Gear	1	235
17	2230.1.11	Washer	1	5
18	2431.1.06	C-type Retaining Ring	1	13
19	272.1.04	Ball Bearing 608zz	1	257
20	2302.1.05	Second Pinion Assly	1	65
21	2346.1.04	Inner Cover Assly	1	118
22	272.1.04	Ball Bearing 608zz	1	257
23	2312.1.04	Bearing Holder	1	16

Drg. No.	Part No.	Description	Qty./Tool	Price (₹)
24	2224.1.20	Flat Head Screw	2	2
25	2830.3.18	Armature	1	654
26	2344.1.01	Fan Guide	1	47
27	2224.1.21	S. Tapping Screw D4x55	2	3
28	2230.1.12	Washer	2	5
29	2820.3.18	Filed	1	471
30	272.1.04	Ball Bearing 608zz	1	257
31	2312.1.05	Bearing Lock	1	8
32	2385.1.02	Housing	1	233
34	2438.1.01	Lable	1	8
35	2252.1.06	Brush Holder	2	26
36	2251.1.06	Carbon Brush	1 Pair	47
37	2253.1.06	Holder Pieces	2	8
38	2224.1.22	Tapping Screw D4x45	4	3
39	2279.1.03	Cord Clip	2	3
40	2330.1.03	Switch	1	39
41	2360.1.03	Cord Armor	1	13
42	2278.1.09	Handle Cover	1	78
43	2230.1.13	Washer	3	1
44	2224.1.23	Tapping Screw D4x20	3	3
45	2290.3.4	Cord	1	131
46	2329.1.03	Side Handle	1	52

SPARES ▶

MODEL : TS35C
10mm/16mm Two Speed Drill





MODEL : TS35C

10mm/16mm Two Speed Drill

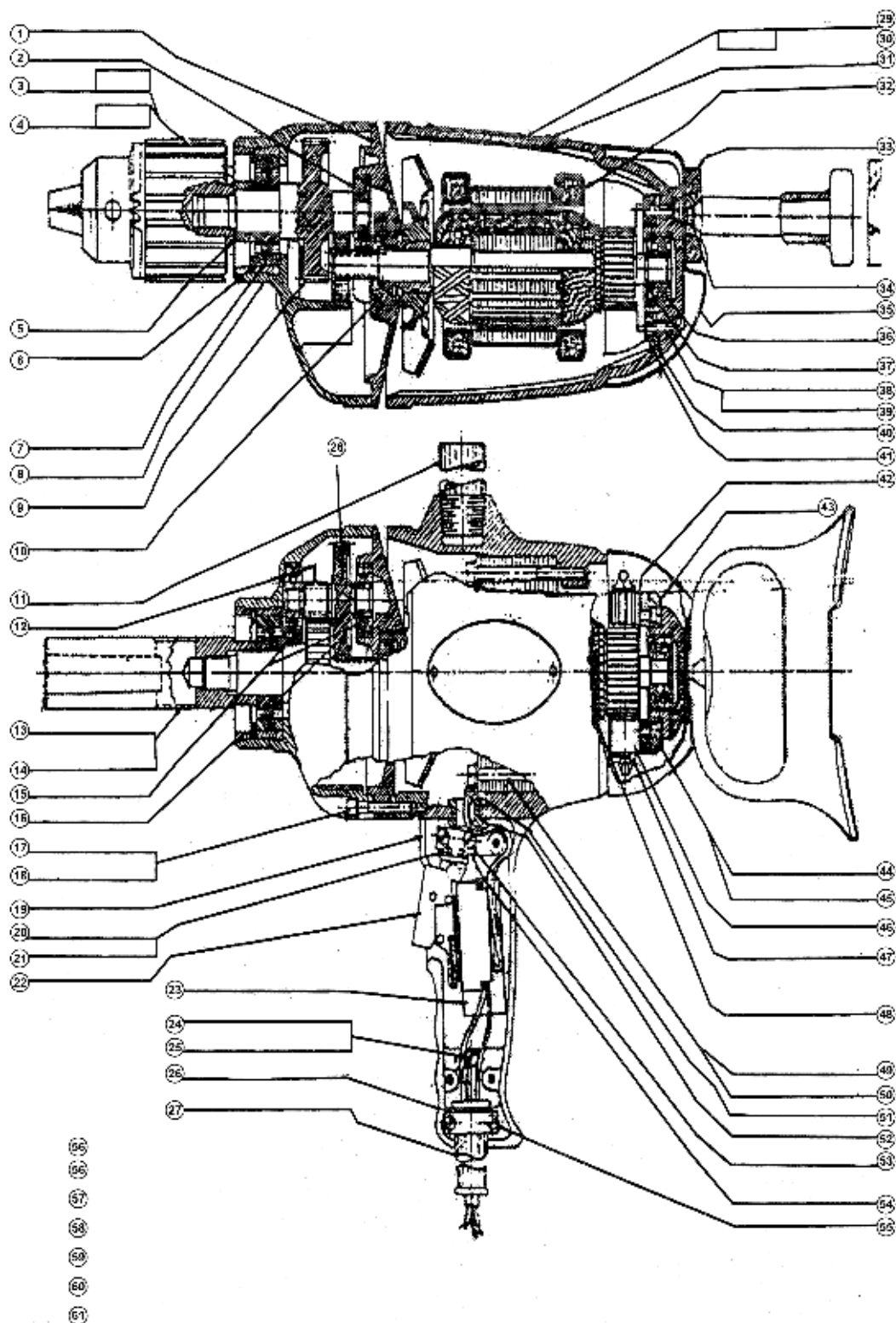
Drg. No.	Part No.	Description	Qty./Tool	Price (₹)
2	231.1.15	Washer	4	20
3	601.1.55	Nut	1	34
4	500.1.26	Selector Claw	1	288
5	500.1.25	Ball	2	25
6	274.1.46	Bush Bearing	1	156
7	310.1.47	Spring	1	30
8	500.1.27	Selector Pin	1	84
9	328.3.07	Chuck & Key 16mm	1	2,140
10	321.1.66	Spacer	1	34
11	274.1.39	Bush Bearing	1	84
12	401.1.14	Oil Reservoir	2	20
13	500.1.22	Oil Cup	3	34
14	224.1.58	Screw	1	20
15	279.1.51	Clamp	1	20
16	300.1.60	Gear	1	148
17	275.1.16	Key	1	50
19	401.1.12	Oil Reservoir	1	20
20	300.1.59	Gear	1	646
21	300.1.58	Gear	1	710
22	290.1.75	Spindle	1	891
23	265.1.40	Gear Box	1	1,293
24	272.1.65	Bearing 6203 Zz	1	294
25	311.1.26	Circlip	1	20
26	235.1.21	Washer	1	20
27	290.1.77	Spindle	1	965
28	274.1.41	Bush Bearing	1	50
29	270.1.31	Gear Plate	1	710
31	322.1.22	Shim	3	20
33	601.1.18	Screw	2	20
34	232.1.13	Washer	2	20
35	601.1.03	Screw	2	20
36	601.1.89	Screw	2	25
38	279.1.43	Cable Clamp	1	25
39	360.1.32	Sleeve	1	34
40	329.1.23	Tubular Handle	1	148
42	600.1.70	Screw	2	20
43	831.3.90	Armature Assy.	1	3,038
43	831.3.91	Armature Assy. 115v	1	3,645
44	365.1.25	Bracket	1	44
45	330.1.07	Switch	1	246
46	499.1.31	Switch Insulation	1	20

Drg. No.	Part No.	Description	Qty./Tool	Price (₹)
47	606.1.24	Washer	1	20
48	403.3.62	Cable Assembly	1	353
49	260.1.55	Motor Frame	1	2,393
50	253.1.05	Brush Cap	2	34
51	252.1.28	Brush Holder	2	114
52	821.3.85	Field Assy.	1	2,287
52	821.3.86	Field Assy. 115v	1	2,742
53	251.9.17	Carbon Brush	1 PAIR	76
54	239.1.12	Washer	2	20
54	232.1.12	Washer	2	20
55	225.1.58	Screw	4	20
56	225.1.01	Screw	1	20
57	279.1.52	Clamp	1	20
59	347.1.12	Dowel	1	25
60	278.1.70	Cover	1	303
61	232.1.14	Washer	1	20
62	600.1.85	Switch Cover Screw	3	20
65	225.1.02	Screw	2	20
66	602.1.54	Screw	2	20
67	560.1.22	Oil Cup	1	50
68	401.1.09	Oil Reservoir	3	20
69	401.1.13	Oil Reservoir	1	20
70	274.1.31	Bush Bearing	1	50
71	348.1.39	Bearing Retainer	1	34
72	239.1.10	Washer	1	20
73	600.1.36	Screw	4	20
74	239.1.09	Washer	1	20
75	273.1.02	Needle Bearing Bha 812	1	353
11,16,23 6,13	265.2.40	Gear Box Sub Assy	1	1,551
13,29,55 28,11,19,68	270.3.31	Ig Plate Assembly	1	1,241
49,60,62 70,71,14 69,68,43	260.2.55	M Frame Sub Assembly	1	2,712
6,13,16 17,27	300.3.60	Gear Sub Assembly	1	1,154

SPARES ▶

MODEL : WDH / WDHC

13mm-23mm Heavy Duty Drill / 20mm Heavy Duty Drill (Chuck Model)





MODEL : WDH / WDHC

13mm-23mm Heavy Duty Drill / 20mm Heavy Duty Drill (Chuck Model)

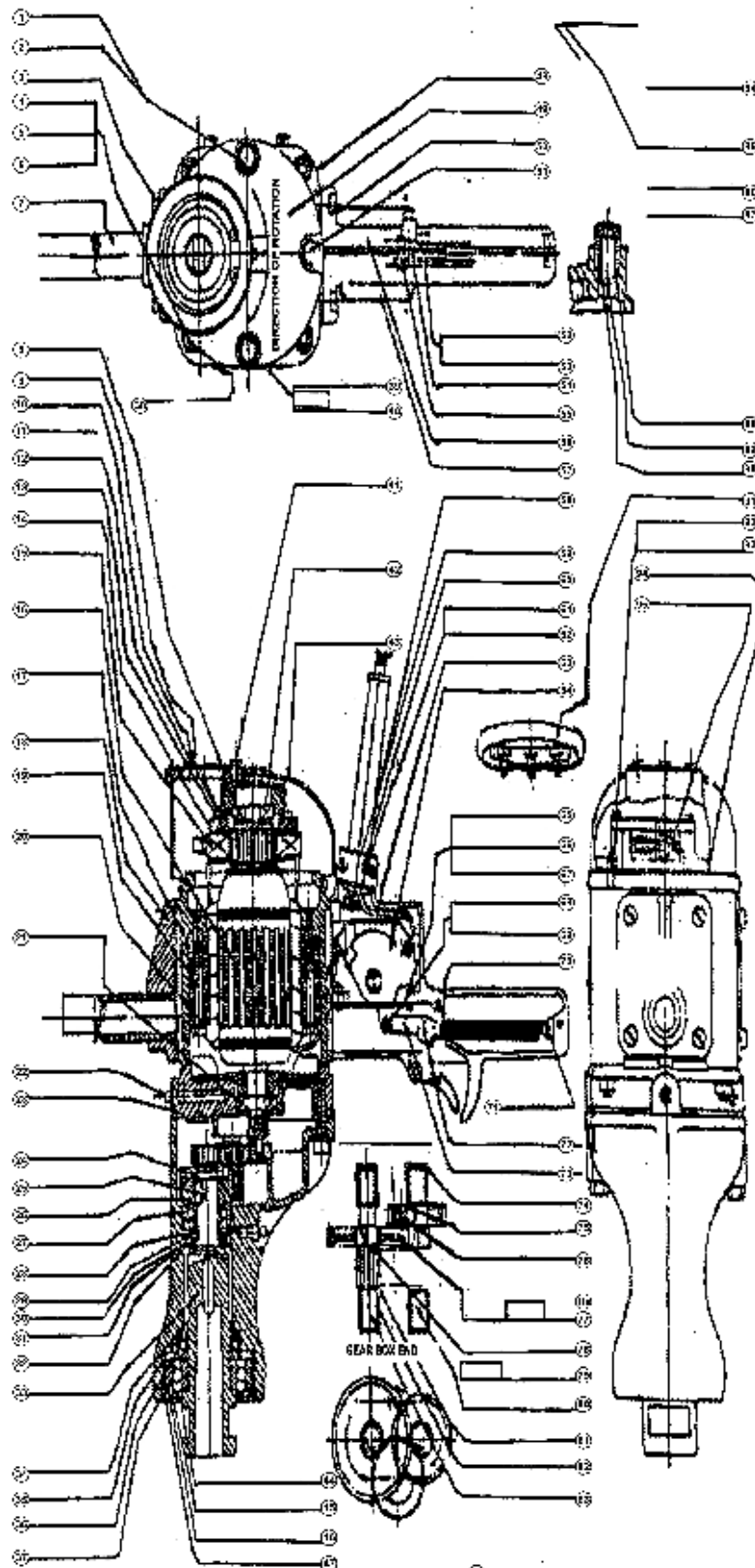
◀ SPARES

Drg. No.	Part No.	Description	Qty./Tool	Price (₹)
1	270.1.27	Gear Plate	1	1,160
3	328.3.08	Chuck And Key For Wdhc	1	2,630
4	502.1.06	Chuck Key	1	100
5	321.1.89	Spacer	1	109
6	311.1.37	Circlip	1	34
7	272.1.48	Bearing 6304zz	1	525
8	265.1.41	Gear Box	1	1,478
9	300.1.62	Gear	1	1,773
10	272.1.43	Bearing 6202zz	1	449
11	329.1.23	Tubular Handle	1	148
12	2291.1.81	Inter Pinion	1	197
13	338.1.02	Taper Sleeve For Wdh	1	1,299
14	337.1.01	Drift	1	84
15	272.1.22	Bearing 6200zz	1	303
16	2300.1.61	Gear	1	785
17	231.1.15	Washer 6201 Zz	4	20
18	600.1.24	Screw	4	34
19	260.1.58	Motor Frame	1	2,557
20	601.1.18	Screw	4	20
21	231.1.14	Washer	8	20
22	330.1.07	Switch	1	246
23	499.1.32	Sw Insln Paper	1	20
24	600.1.90	Screw	1	20
25	606.1.24	Washer	1	20
26	279.1.43	Cable Clamp	1	25
27	360.1.32	Sleeve	1	34
28	275.1.02	Key	1	44
31	225.1.02	Rivet	2	20
32	821.3.25	Field Coil	1	1,684
32	821.3.26	Field Coil 115v	1	2,021
33	329.1.24	Handle	1	508
34	600.1.08	Screw	2	20
35	278.1.71	End Cover	1	132
37	236.1.13	Washer 6200 Zz	1	84
38	600.1.42	Screw	2	20
39	232.1.12	Washer 6202 Zz	2	20
40	604.1.47	Nut	2	20
41	254.1.11	Rocker	1	65
42	500.1.11	Insln Sheet	2	25
43	239.1.11	Insln Washer	1	34
44	601.1.33	Screw	4	25

Drg. No.	Part No.	Description	Qty./Tool	Price (₹)
46	252.1.22	Brush Holder	2	181
47	251.9.18	Carbon Brush	1 PAIR	148
48	832.3.16	Armature	1	2,630
48	832.3.17	Armature 115v	1	3,155
49	600.1.19	Screw	2	20
50	231.1.12	Washer	2	20
52	316.1.07	Gromet	1	20
54	365.1.26	Bracket	1	20
55	601.1.41	Screw	2	20
56	278.1.72	Switch Cover	1	288
57	600.1.88	Screw	3	20
58	232.1.14	Washer 6304 Zz	3	20
59	403.3.66	Cable Assembly	1	238
60	347.1.18	Dowel	1	34
61	279.1.52	Clamp Wdhc	1	20
62	600.1.80	Screw	2	20
2,36	272.1.23	Bearing 6201zz	2	246
16,12,28	2300.3.61	Gear Assembly	1	1,013
19,56,57	260.2.58	Motor Frame Assly	1	3,703
1,15,10,2	270.3.27	Ig Palte Assly	1	2,130
21,41,42 44,46,	862.3.22	Rocker Assembly	1	513

SPARES ▶

MODEL : NW8 / NW10
31mm / 25mm Heavy Duty Drill





MODEL : NW8 / NW10

31mm / 25mm Heavy Duty Drill

◀ SPARES

Drg. No.	Part No.	Description	Qty./Tool	Price (₹)
2	602.1.25	Screw	2	25
2	500.1.42	Plug	2	20
4	229.1.04	Stud	4	76
5	604.1.23	Nut	4	20
7	329.1.23	Tubular Handle	1	148
8	278.1.74	Cover	1	100
9	600.1.08	Screw	3	20
11	606.1.07	Washer	2	20
12	500.1.40	Insln Strip	2	20
13	500.1.39	Br Holder Block	2	50
14	252.1.25	Brush Holder	2	181
15	251.9.29	Carbon Brush	1 PAIR	181
16	832.3.21	Armature	1	4,826
16	832.3.22	Armature 115v	1	5,791
17	821.3.13	Field Coil	1	2,099
17	821.3.14	Field Coil 115v	1	2,519
18	409.1.15	Flange	1	303
19	600.1.04	Screw	2	25
20	231.1.17	Washer	2	20
21	272.1.43	Bearing 6202 Zz	1	449
22	500.1.30	Grease Nipple	2	20
23	270.1.32	Gear Plate	1	1,177
24	604.1.49	Nut	1	34
25	275.1.79	Key	1	34
26	322.1.26	Shim	1	20
26	300.1.65	Gear	1	641
27	272.1.65	Bearing 6203 Zz	1	294
28	606.1.03	Washer	1	166
29	235.1.24	Washer	1	20
31	236.1.14	Washer	1	84
32	311.1.26	Circlip	1	20
33	290.1.78	Spindle	1	2,734
34	322.1.27	Shim	1	20
35	235.1.22	Felt Washer	1	20
37	272.1.49	Bearing 6201	1	827
38	225.1.02	Screw	4	20
41	600.1.07	Screw	2	20
42	272.1.23	Bearing 6201 Zz	1	246
43	278.1.62	End Cover	1	557
44	235.1.23	Felt Washer	1	20
46	312.1.14	Brg. Cover	1	20

Drg. No.	Part No.	Description	Qty./Tool	Price (₹)
47	311.1.34	Circlip	1	50
48	260.1.59	Motor Frame	1	3,755
49	265.1.42	Gear Box	1	3,038
51	602.1.26	Screw	1	20
52	232.1.14	Washer	2	20
53	600.1.85	Screw	2	20
54	500.1.32	Trigger	1	114
55	600.1.83	Screw	2	20
56	329.1.25	Handle Top	1	597
57	329.1.26	Handle Bottom	1	653
58	360.1.32	Sleeve	1	34
59	279.1.53	Cable Clamp	1	25
60	600.1.82	Screw	2	20
61	600.1.89	Screw	1	20
62	606.1.24	Washer	1	20
63	500.1.43	Sw Insln Paper	1	25
64	330.1.09	Switch	1	337
66	231.1.14	Washer	2	20
67	604.1.16	Nut	2	20
68	500.1.35	Link Pin	1	34
69	311.1.65	Retaining Pin	1	20
70	310.1.63	Spring	1	25
73	500.1.34	Link Pin	1	25
74	312.1.12	Cover	1	20
76	300.1.63	Gear For Nw8	1	533
77	300.1.64	Gear For Nw8	1	1,177
77A	300.1.66	Gear For Nw10	1	1,177
78	275.1.52	Key	1	44
79	300.1.80	Spindle Gear For Nw10	1	572
80	300.1.83	Spindle Gear For Nw8	1	572
81	230.1.26	Washer	1	20
82	274.1.44	Bush Brg	4	65
83	300.1.84	Gear	1	664
84	337.1.01	Drift	1	84
87	403.3.62	Cable Assembly	1	353
88	310.1.36	Spring	1	20
89	500.1.37	Plunger	1	20
90	500.1.38	Plunger Cap	1	44
91	500.1.31	Breast Plate	1	100
92	606.1.33	Washer	2	20
93	600.1.03	Screw	2	20

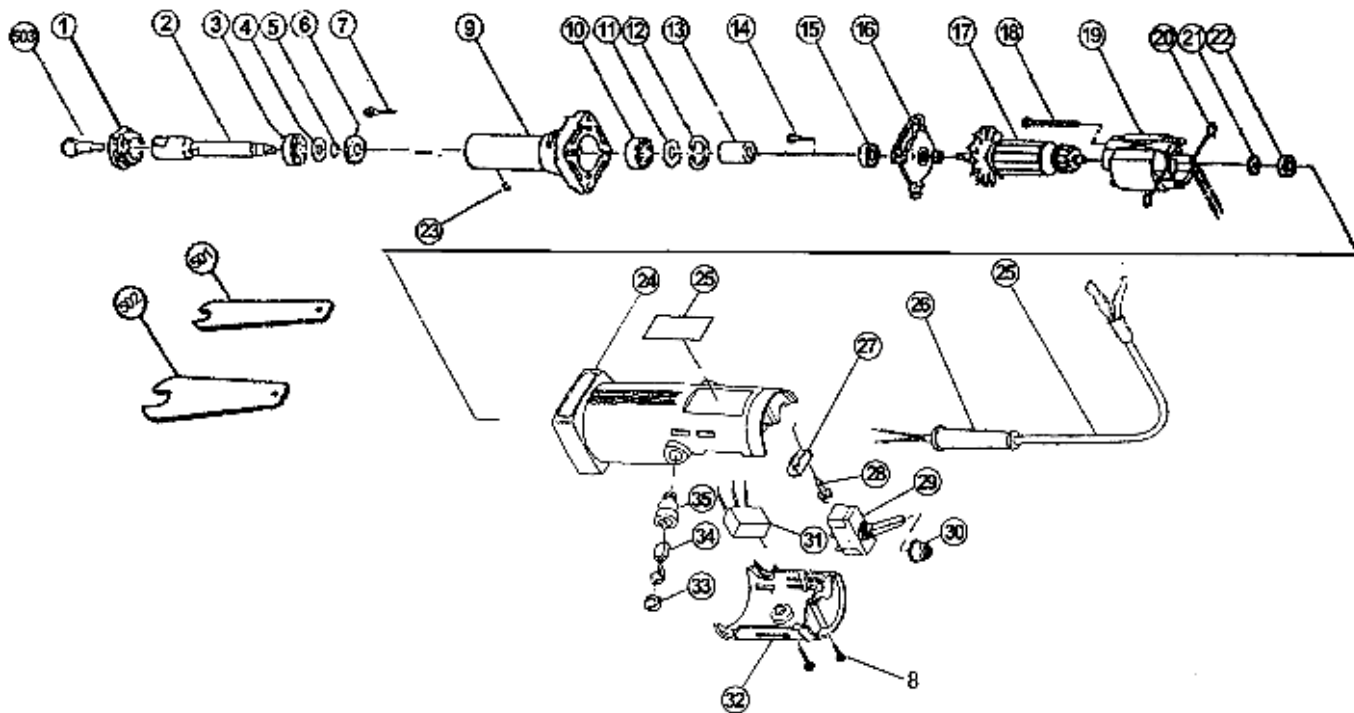
SPARES ►

MODEL : NW8 / NW10

Drq. No.	Part No.	Description	Qty./Tool	Price (₹)
94	254.1.16	Rocker	2	50
95	601.1.29	Screw	4	20
97	500.1.41	Pin	2	44
98	347.1.19	Dowel	1	44
99	326.1.28	Shim	1	25
100	401.1.09	Oil Resorvior	1	20
104	600.1.88	Screw	3	20
105	272.1.54	Bearing Thrusted Bering Xlt 35	1	572
6,1	231.1.19	Washer	4	20
10,65	601.1.28	Screw	6	20
3,50	602.1.23	Screw	8	34
72,85	500.1.33	Pin	4	50
13,14,95,	862.3.25	Br Holder Assembly	1	238
70,78,79	300.3.80	Gear Assembly For Nw10	1	1,129
76,78,80	300.3.83	Gear Assembly For Nw8	1	1,129
77,78,83	300.3.64	Gear Assembly For Nw8	1	1,872
77A,78,83	300.3.66	Gear Assembly	1	1,872
6,4,5,7,88	329.2.26	Handle Cover Assembly	1	1,497
23,82,74,100,22	270.2.32	Ig Plate Sub Assembly	1	1,341
49,82,22,2,100	265.2.42	Gear Box S Assembly	1	3,177
56,57,54,64, 77,88,89,90, 63,52,68,72, 99,101,102,67, 65,61,53,55, 60,73,87,69, 70,59,103, 104,10	329.3.26	Handle Assembly	1	1,317

MODEL : RDG25

6mm High Speed Grinder Straight Type (Double Insulated)



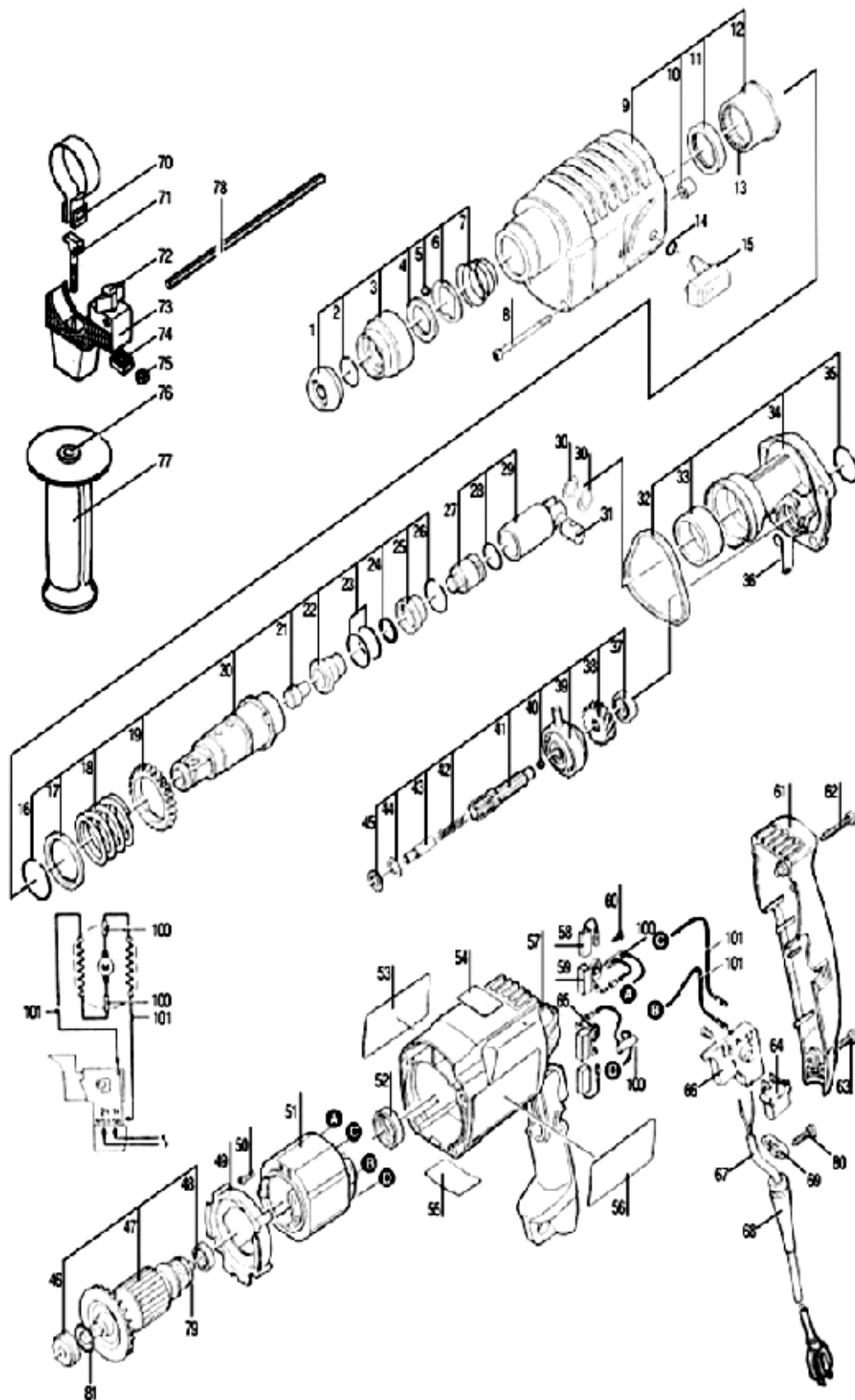
Drg. No.	Part No.	Description	Qty./Tool	Price (₹)
1	3249.1.05 T	Locking Nut New Type	1	81
2	3623.1.02	Rod Cover	1	34
3	3291.1.05	Spindle Old Type	1	374
3	3291.1.05 T	Spindle New Type	1	374
4	272.1.59	Bearing 6001 Zz	1	281
5	3431.1.06	Shaft Ring	1	14
6	3230.1.44	Dish Washer	1	46
7	3224.1.01	Screw	4	38
8	3230.1.43	Washer	1	23
8	3224.1.02	Screw	1	23
9	3365.1.01	Casing	1	825
10	272.1.74	Bearing 6000 Zz	1	135
11	3431.1.01	O Ring	1	23
12	3431.1.02	O Ring	1	38
13	3342.1.01	Coupling	1	76
14	3320.1.46	Screw	4	23
15	272.1.04	Bearing 608 Zz	1	257
16	3270.1.02	Ig Plate	1	200
17	3830.3.07	Armature	1	1,655
17	3830.3.32	Armature 115v	1	1,987

Drg. No.	Part No.	Description	Qty./Tool	Price (₹)
18	3224.1.03	Screw	2	59
19	3820.3.07	Field	1	1,271
19	3820.3.32	Field 115v	1	1,525
20	3310.1.03	Spring Connection	2	23
21	272.1.21	Bearing 626 Zz	1	258
22	3348.1.07	Bearing Retainer	1	46
23	3221.1.01	Grub Screw	1	16
24	3260.1.02	Motor Frame Cover	1	754
26	3360.1.02	Cable Sleeve	1	46
27	3279.1.02	Cable Cleat	1	46
28	3224.1.05	Screw	2	46
29	3330.1.02	Switch Nut	1	200
30	3500.1.05	Switch Nut	1	29
32	3500.1.49	Motor Frame Cover	1	193
33	3253.1.02	Brush Cap	2	29
34	3251.9.02	Carbon Brush	1 PAIR	80
35	3252.1.02	Brush Holder	2	116
501	3399.1.05	Spanner	1	76
502	3399.1.06	Spanner	1	76
503	3993.1.03 T	Collet New Type	1	459

SPARES ▶

MODEL : RW-22H

22mm Rotary Hammer (Double Insulated)



MODEL : RW-22H

22mm Rotary Hammer (Double Insulated)

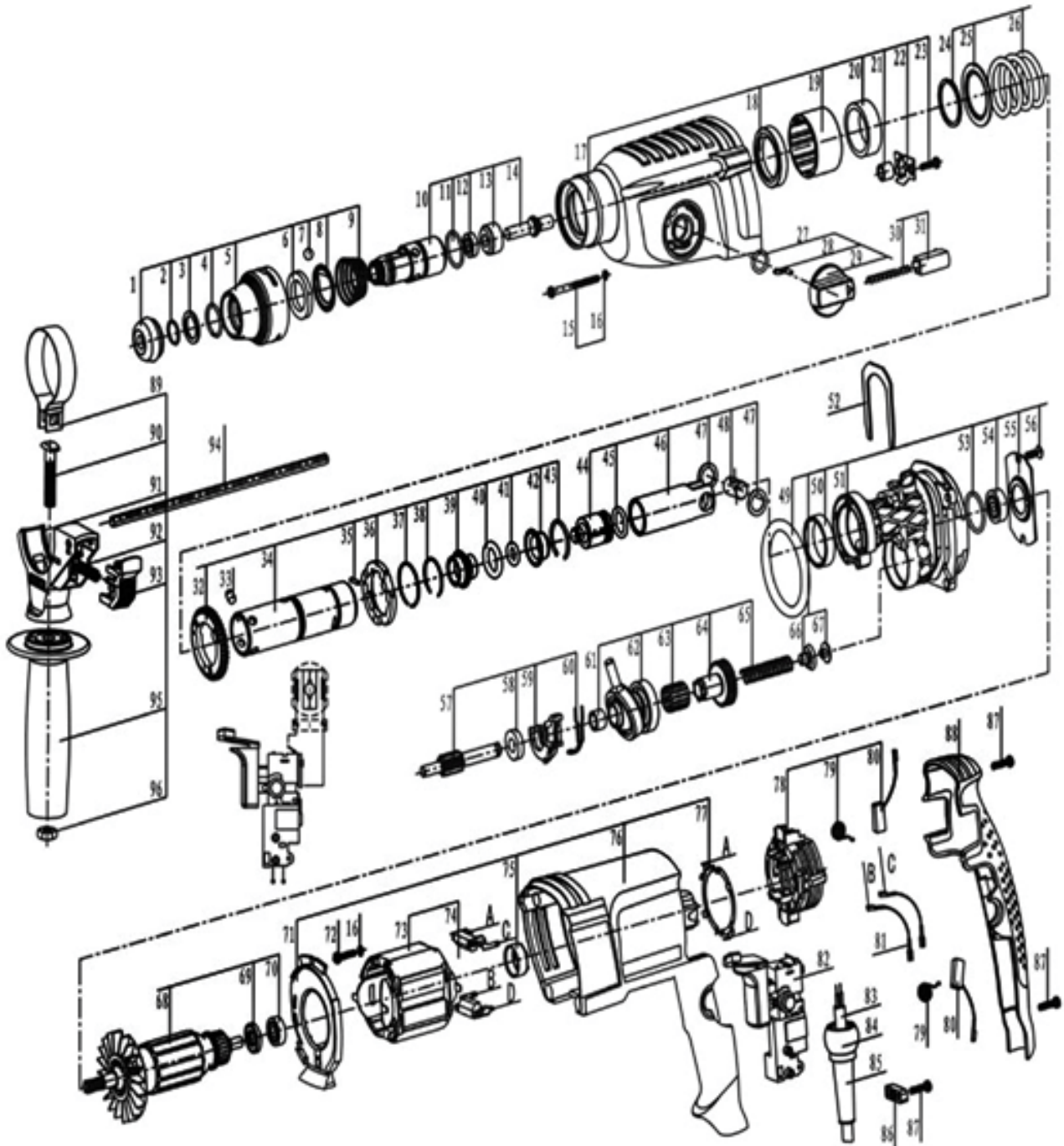
Drg. No.	Part No.	Description	Qty./Tool	Price (₹)
1	3511.1.54	Dust Cap	1	45
2	3511.1.55	Snap Ring 19*2	1	21
3	3623.1.07	Protective Sleeve	1	67
4	3623.1.08	Protective Sleeve Washer	1	45
5	3511.1.56	Stell Ball	1	21
6	3398.1.10	Protective Sleeve Gasket	1	21
7	3310.1.60	Spring	1	45
8	3224.1.63	Self Tapping Screw	4	85
9	3385.1.17	Cylinder Housing	1	534
10	3273.1.15	Hk6080 Needle Bearing	1	134
11	3327.1.27	Oil Seal 28*37*7	1	88
12	3311.1.69	Metal Ring	1	134
13	3327.1.28	Hk3012 Needle Bearing	1	112
14	3431.1.77	O Ring 5*2.5	1	45
15	3511.1.57	Function Knob	1	67
16	3310.1.61	Spring	1	21
17	3231.1.63	Rotor Sleeve Washer	1	21
18	3310.1.62	Rotor Sleeve Spring	1	37
19	3300.1.21	Big Gear	1	180
20	3501.1.51	Rotor Sleeve	1	447
21	3511.1.58	Spindle Rod	1	134
22	3511.1.59	Spindle Rod Sleeve	1	45
23	3431.1.78	Spindle Rod Sleeve O Ring	2	91
24	3431.1.79	O Ring	1	45
25	3511.1.60	Sleeve	1	37
26	3310.1.63	Spring	1	19
27	3511.1.61	Piston	1	88
28	3431.1.80	Piston O Ring	1	67
29	3511.1.62	Cylinder	1	170
30	3511.1.63	Cylinder Pin Washer	2	19
31	3511.1.64	Cylinder Pin	1	45
32	3398.1.11	Bracket Sealing Ring	1	45
33	3398.1.12	Bracket Sleeve	1	45
34	3265.1.19	Bracket	1	313
35	3431.1.81	609 Bearing O Ring	1	6
36	3310.1.64	Spring	1	27
37	272.1.04	608 Bearing	2	257
38	3300.1.22	21 Dens Slanting Gear	1	134
39	3274.1.32	Reciprication Bearing	1	261
40	3511.1.65	Steel Ballc5	1	6
41	3511.1.66	Mid Axial	1	103

Drg. No.	Part No.	Description	Qty./Tool	Price (₹)
42	3310.1.65	Position Adjusting Spring	1	27
43	3511.1.67	Mid Axial Pin	1	27
44	3231.1.64	Needle Washer	1	9
45	3273.1.16	Axk0614 Needle Bearing	1	70
46	3272.1.11	609 Bearing	1	88
47	3830.3.78	Armature 235V	1	946
47	3830.3.88	Armature 110V	1	1,135
48	272.1.82	607 Bearing	1	335
49	3623.1.14	Fan Cover	1	9
50	3224.1.64	Self Tapping Screw	4	85
51	3820.3.78	Filed 235V	1	946
51	3820.3.88	Filed 110V	1	1,135
52	3398.1.13	607 Bearing Sleeve	1	45
53	3623.1.09	Cover	1	3
54	3623.1.10	Cover	1	3
55	3623.1.11	Cover	1	3
56	3623.1.12	Cover	1	3
57	3265.1.20	Gear Housing	1	341
58	3251.9.47	Carbon Brush	1 Pair	128
59	3252.1.38	Brush Holder	2	48
60	3224.1.65	Self Tapping Screw	4	85
61	3623.1.13	Back Cover	1	222
62	3224.1.66	Self Tapping Screw	1	3
63	3224.1.67	Self Tapping Screw	2	6
65	3310.1.66	Spring	2	43
66	3330.1.51	Switch	1	284
67	3403.1.04	Power Cable	1	246
68	3511.1.68	Protective Sleeve	1	9
69	3365.1.13	Cable Clamp	1	27
70	3511.1.69	Handle Strap	1	112
78	3511.1.71	Ruler	1	3
79	3511.1.72	Separator	1	34
80	3224.1.69	Self Tapping Screw	2	6
81	3231.1.65	609 Bearing Washer	1	45
100	3261.1.01	Inner Wire	2	43
101	3261.1.02	Inner Wire	2	43

SPARES ▶

MODEL : RW-26H

26mm Professional Hammer (Double Insulated)





MODEL : RW-26H

26mm Professional Hammer (Double Insulated)

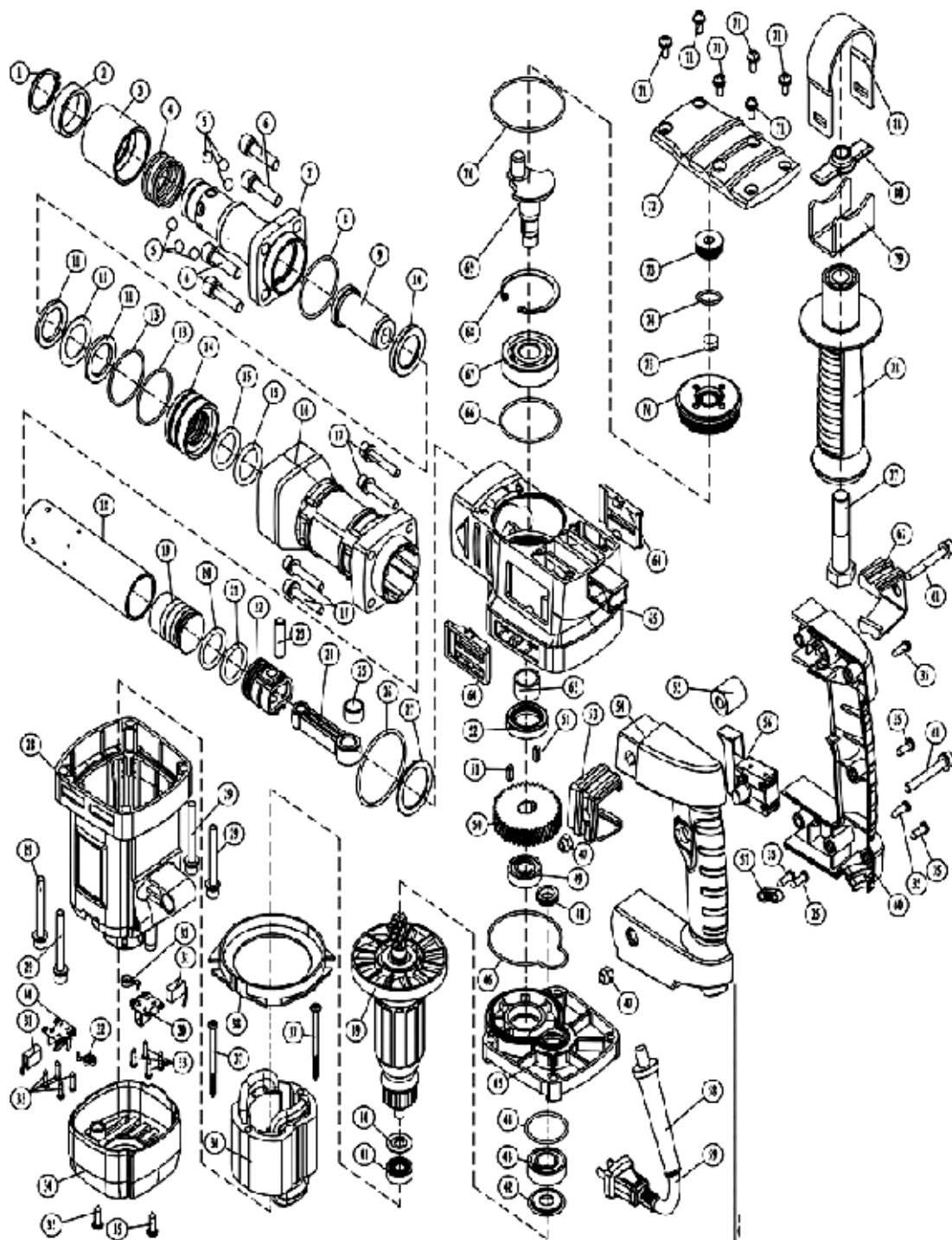
Drg. No.	Part No.	Description	Qty./Tool	Price (₹)
1	3432.1.04	Dust Cap	1	18
2	3431.1.42	Snap Ring 14x1.5 mm	1	7
3	3231.1.73	Washer 16x22x1 mm	1	7
4	3431.1.43	Snap Ring 19x2 mm	1	7
5	3338.1.01	Protective Sleeve	1	18
6	3231.1.74	Washer 21x32x4 mm	1	7
7	3500.1.01	Steel Ball C7.14	1	7
8	3231.1.75	Washer	1	7
9	3310.1.78	Spring	1	7
10	3338.1.02	Drill Cover	1	192
11	3431.1.44	Drill Cover O Ring 21.5x2 mm	1	27
12	3327.1.34	Oil Seal 8x16x5 mm	1	34
13	3291.1.36	Spindle Rod Position Ring	1	27
14	3291.1.37	Spindle Rod	1	79
15	3225.1.83	Self Tapping Screw	4	1
16	3231.1.76	Washer	4	11
17	3338.1.03	Cylinder Housing	1	248
18	3327.1.35	Oil Seal 30x41x7 mm	1	34
19	3501.1.59	Pull Thrust Set	1	90
20	3273.1.23	Hk3012 Needle Bearing	1	45
21	3273.1.24	Hk0709 Needle Bearing	1	45
22	3231.1.77	9 Dens Washer	1	11
23	3225.1.84	St3.9x14 Self Tapping Screw	4	1
24	3431.1.45	Outer Flat Ring	1	11
25	3231.1.78	Rotor Sleeve Washer 30x43x1.5	1	18
26	3310.1.79	Rotor Sleeve Spring	1	18
27	3431.1.46	Model Selector O Ring	1	18
28	3501.1.60	Model Selector Iron Core	1	7
29	3279.1.48	Model Selector Knob	1	23
30	3310.1.80	Model Selector Spring	1	11
31	3501.1.61	Model Selector Red Button	1	23
32	3300.1.29	40 Dens Big Gear	1	101
33	3500.1.03	Drill Cover Position Limited Steel Ball	4	6
34	3338.1.04	Connecting Drill Cover	1	203
35	3501.1.62	Position Pin 2.5x12 mm	3	7
36	3348.1.55	Location Retaining Ring	1	45
37	3431.1.47	Steel Wire Ring 27.5x1.5 mm	1	18
38	3310.1.81	Spindle Set Position Limited Spring 27.5x1.5 mm	1	11
39	3291.1.38	Spindle Set	1	50
40	3431.1.48	Spindle Set O Ring 16.2x4.5 mm	1	50
41	3431.1.49	Position Limited O Ring 9x3.5	1	41
42	3278.1.52	Position Limited Cover	1	50
43	3310.1.82	Inner Steel Wire Spring 28x2 mm	1	11
44	3501.1.70	Piston	1	63
45	3432.1.11	Poston O Ring 15x3 mm	1	34
46	3500.1.02	Cylinder	1	90
47	3501.1.63	Cylinder Pin Washer	1	18
48	3501.1.64	Cylinder Pin	1	18
49	3432.1.12	Beacket O Ring 53x7 mm	1	34

Drg. No.	Part No.	Description	Qty./Tool	Price (₹)
50	3338.1.05	Bracket Sleeve	1	23
51	3338.1.06	Bracket	1	158
52	3338.1.07	Bracket Pressure Fork	1	101
53	3432.1.13	609 Bearing O Ring 23.8x2.2	1	41
54	3272.1.11	609 Bearing	1	88
55	3348.1.56	609 Bearing Retainer	1	9
56	3604.1.50	M4*8 Bolt	2	7
57	3338.1.08	Mid Axial	1	90
58	3272.1.12	699 Bearing	1	180
59	3338.1.09	Model Selector Fork	1	18
60	3310.1.83	Model Selector Fork Spring	1	18
61	3273.1.25	Hk0908 Needle Bearing	1	41
62	3272.1.13	Away Poled Bearing	1	176
63	3273.1.27	K15 Bearing	1	34
64	3300.1.30	33 Desn Slanting Gear	1	95
65	3310.1.84	Gear Adjusting Spring	1	18
66	3278.1.53	Spring Seat(plastic)	1	18
67	3231.1.79	Position Limited (iron) Washer	2	11
68	3831.3.04	Armature 235V	1	1,054
68	3831.3.54	Armature 110V	1	1,265
69	3432.1.15	Dust Proof Plastic Washer	1	23
70	272.1.82	607 Bearing	1	335
71	3338.1.10	Board Against Wind	1	41
72	3225.1.85	St3.7x17 Self Tapping Screw	1	1
73	3821.3.04	Filed 235V	1	738
73	3821.3.54	Filed 110V	1	886
74	3501.1.65	Electric Discreteness	2	45
75	3432.1.16	Screw	1	27
76	3265.1.24	Gear Housing	1	248
77	3310.1.85	Spring Piece	2	14
78	3252.1.43	Carbon Brush Holder	1	135
79	3310.1.86	Spring	2	9
80	3251.9.54	Carbon Brush	1 Pair	88
81	3502.1.11	Stator Insert Line 120mm	2	18
82	3330.1.57	Switch	1	354
83	290.5	Cable 2x0.75mm	1	225
84	3278.1.54	Position Limited Cover	1	23
85	3501.1.66	Protective Sleeve	1	2
86	3501.1.67	Press Cable Board	1	7
87	3225.1.86	Self Tapping Screw	5	1
88	3278.1.55	Back Cover	1	158
89	3432.1.14	Handle Iron Ring	1	9
90	3222.1.09	T Bolt	1	9
91	3504.1.06	Grip Base	1	72
92	3310.1.87	Depth Guage Lock Spring	1	18
93	3501.1.68	Depth Guage Lock	1	9
94	3501.1.69	Depth Guage	1	23
95	3329.1.83	Auxiliary Handle	1	79
96	3604.1.51	M8 Nut	1	6

SPARES ▶

MODEL : RW-5EH

5 Kg. Demolition Hammer





MODEL : RW-5EH

5 Kg. Demolition Hammer

◀ SPARES

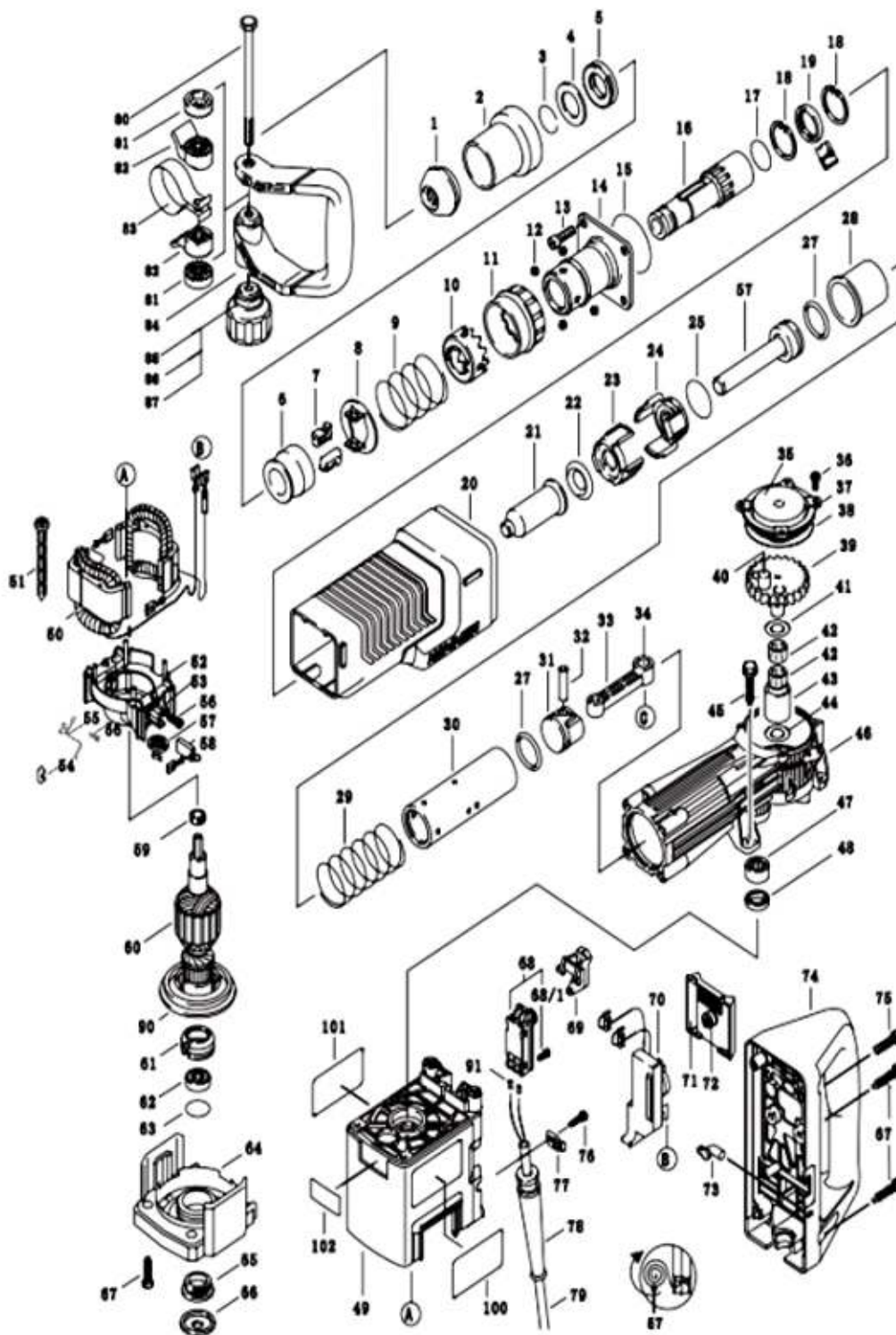
Drg. No.	Part No.	Description	Qty./Tool	Price (₹)
1	3232.1.22	Clip Washer/circlip	1	105
2	3278.1.67	Limit Cover	1	210
3	3274.1.38	Sliding Bush	1	210
4	3310.2.09	Spring 32.5x2x39	1	105
5	3502.1.38	Steel Ball 7.93	6	105
6	3326.1.93	Screw Nut M8x30 & Washer	4	11
7	3278.1.68	Cover	1	133
8	3431.2.13	O Ring 41x2	1	21
9	3503.1.45	Strick Rod	1	210
10	3232.1.23	Washer For Stick Rod	1	84
11	3232.1.24	Washer 24x35x2.8	2	48
12	3232.1.25	Washer 25x36.8x1	1	21
13	3431.2.14	O Ring 35x1.8	2	21
14	3503.1.46	Piston Cylinder Head	1	173
15	3431.2.15	O Ring 23x4.2	2	53
16	3278.1.69	Front Cover	1	568
17	3326.1.94	Screw Nut M6x35	4	6
18	3503.1.47	Piston Cylinder	1	274
19	3503.1.48	Strick Hammer	1	181
20	3431.2.16	O Ring 23.5x3.5	1	63
21	3431.2.17	O Ring 23.2x3.5	1	63
22	3503.1.49	Piston	1	143
23	3503.1.50	Piston Pin	1	19
24	3503.1.51	Link Rod	1	147
25	3273.1.33	Needle Bearing Nk12/12	1	63
26	3431.2.18	O Ring 44x2	1	21
27	3232.1.26	Washer	1	13
28	3260.1.50	Motor Housing	1	295
29	3326.1.95	Screw Nut M6x50	4	8
30	3252.1.54	Brush Holder	2	63
31	3251.9.64	Carbon Brush	1 Pair	101
32	3310.2.10	Flat Spring	2	4
33	3326.1.96	Screw St2.9x10	8	2
34	3278.1.70	Rear Cover	1	63
35	3326.1.97	Screw St4.2x16	8	2
36	3821.3.14	Field	1	968
37	3326.1.98	Screw St4.2x60	2	2
38	3344.1.25	Fan Guide/baffle Plate	1	21
39	3831.3.14	Armature	1	1,368
40	3312.1.22	608 Bearing Cover	1	42
41	272.1.04	Bearing 608	1	257
42	3312.1.23	6201 Bearing Cover	1	21
43	272.1.23	Bearing 6201	1	246
44	3431.2.19	O Ring 31x2	1	21
45	3278.1.71	Middle Cover	1	210
46	3431.2.23	Seal Ring	1	21
47	3604.1.57	Nut	2	32
48	3300.1.48	Gear	1	63
49	272.1.59	Bearing 6001	1	281

Drg. No.	Part No.	Description	Qty./Tool	Price (₹)
50	3300.1.49	Big Gear	1	168
51	3275.1.43	Key 4x4x12	2	6
52	3327.1.43	Oil Seal	1	42
53	3329.2.09	Soft Handle Cover	1	76
54	3329.2.10	Left Handle	1	76
55	3503.1.52	Rod 8x20x22	1	63
56	3330.1.70	Switch	1	173
57	3279.1.93	Cord Clip	1	2
58	3361.1.05	Cord Sleeve	1	13
59	3290.1.14	Cord	1	274
60	3329.2.11	Right Handle	1	147
61	3326.1.99	Screw Nut M6x45	2	2
62	3329.2.12	Soft Handle Cover	1	63
63	3274.1.39	Spacing Bush	1	21
64	3503.1.53	Windon Sheet	2	32
65	3265.1.32	Gear Box	1	789
66	3431.2.20	O Ring 46x2	1	25
67	272.1.90	Bearing 6303	1	105
68	3232.1.27	Washer D47/circlip	1	11
69	3503.1.54	Crankshaft	1	206
70	3431.2.21	O Ring 51x2	1	21
71	3221.1.09	Screw Nut M5x14	6	2
72	3278.1.72	Top Cover	1	21
73	3253.1.41	Cap	1	21
74	3431.2.22	O Ring 19x2	1	2
75	3503.1.55	Rod 10x11	1	21
76	3503.1.56	Oil Box	1	36
77	3221.1.10	Screw Nut M12x60	1	21
78	3329.3.04	Side Handle Assly	1	223

SPARES ▶

MODEL : RW-11EH

11 Kg. Demolition Hammer





MODEL : RW-11EH

11 Kg. Demolition Hammer

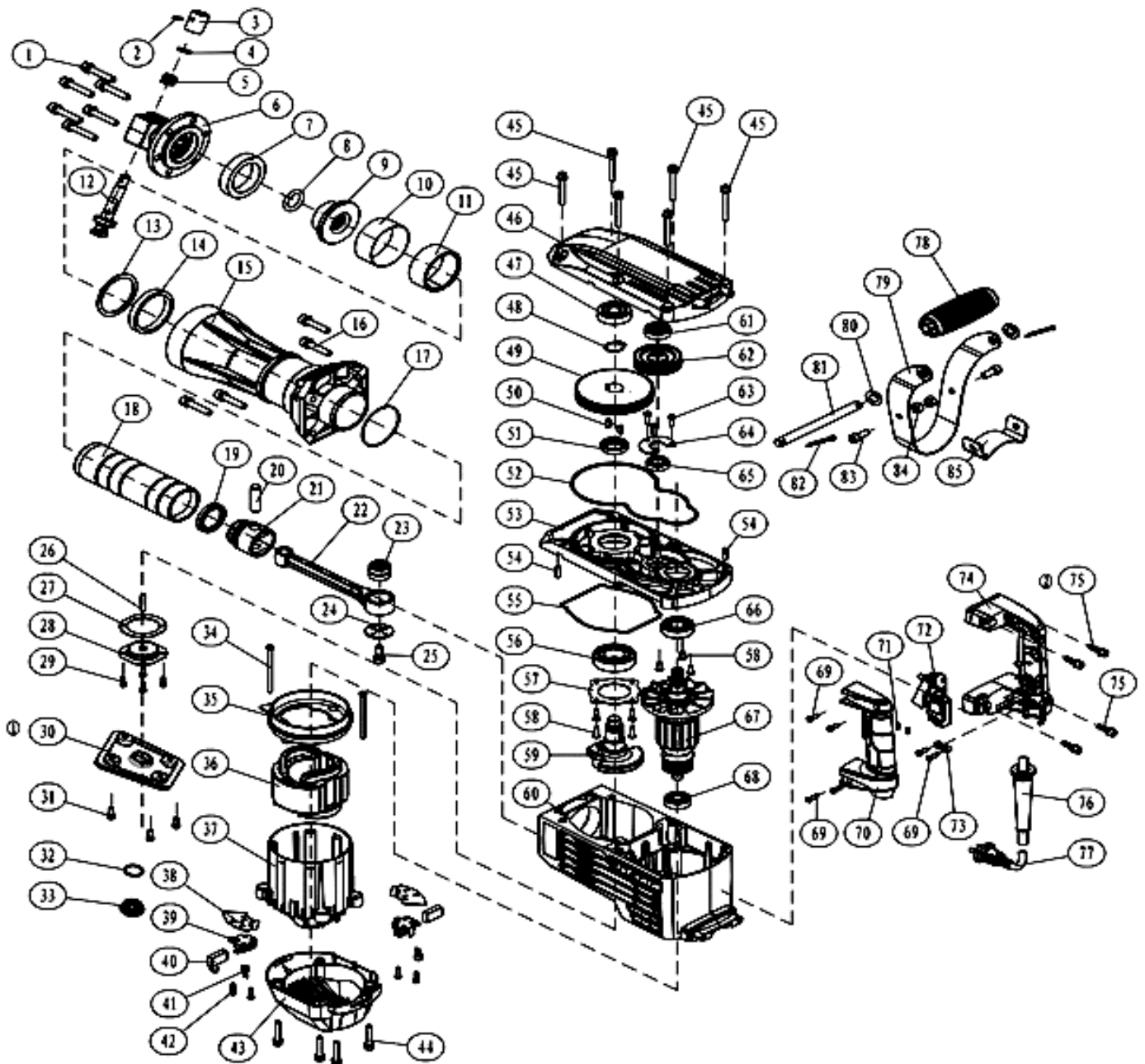
◀ SPARES

Drg. No.	Part No.	Description	Qty./Tool	Price (₹)
1	3327.1.40	Dust Shield	1	181
2	3360.1.93	Sleeve	1	99
3	3310.2.02	Spring Ring 31.4*2	1	6
4	3232.1.17	Washer 30*48.7*3	1	72
5	3274.1.35	Bushing 30.2*50	1	82
6	3360.1.94	Stop Sleeve	1	389
7	3360.1.95	Locking Cog	2	103
8	3360.1.96	Locking Ratchet	1	53
9	3310.2.03	Spring	1	44
10	3310.2.04	Ratchet Ring	1	196
11	3360.1.97	Ratchet Sleeve	1	130
12	3502.1.33	Ball 6.5mm	8	2
13	3326.1.73	Screw M8*30	4	13
14	3409.1.33	Flange	1	979
15	3431.2.04	O-ring 69*2.5	1	74
16	3377.1.01	Drill Holder	1	1,141
17	3431.2.05	O-ring 36.5*2.5	1	42
18	3431.5.06	Retaining Ring 42	2	21
19	3327.1.41	Seal Sc 32*42*7	1	130
20	3360.1.98	Plastic Sleeve	1	326
21	3222.1.12	Impact Bolt	1	457
22	3431.2.07	O-ring 44*11	1	40
23	3433.1.03	Control Disc	1	74
24	3433.1.04	Control Disc	1	93
25	3431.2.08	O-ring 43*3.1	1	53
26	3502.1.34	Striker / Hammer Rod	1	652
27	3431.2.09	O-ring 40*5	2	61
28	3274.1.36	Control Bushing	1	488
29	3310.2.05	Spring	1	82
30	3360.1.99	Guide Tube	1	619
31	3377.1.02	Piston	1	196
32	3502.1.35	Wrist Pin 10.2*36.8	1	25
33	3377.1.03	Connecting Rod	1	227
34	3273.1.30	Needle Bearing(nk142117)	1	145
35	3253.1.39	Cap	1	130
36	3326.1.74	Screw M5*12	4	4
37	3270.1.39	Gear Housing Cover	1	244
38	3431.2.10	O-ring 84.2*2.6	1	99
39	3300.1.41	Gear	1	814
40	3300.1.42	Eccentric Gear	1	25
41	3232.1.18	Washer 17.2*29.8*1	2	15
42	3273.1.31	Needle Bearing 16*22*16	2	88
43	3502.1.36	Needle Bearing Sleeve	1	202
44	3232.1.19	Needl Bearing Sleeve Washer	1	162
45	3326.1.75	Screw St6.3*30	4	6
46	3385.1.19	Impact Housing	1	1,595
47	3273.1.32	Needle Bearing Rna4902	1	261
48	3327.1.42	Seal	1	65
49	3260.1.48	Motor Housing	1	554

Drg. No.	Part No.	Description	Qty./Tool	Price (₹)
50	3821.3.12	Field	1	1,627
51	3326.1.76	Screw St5.5*25	2	4
52	3252.3.01	Brush Holder Assembly	1	114
53	3252.1.52	Brush Holder	2	99
54	3502.1.37	Plug	2	65
55	3251.3.01	Carbon Brush Power-off	1	21
		Protection Contactor		
56	3326.1.77	Screw St5.5*25	5	2
57	3310.2.06	Brush Spring	2	15
58	3251.1.62	Carbon Brush	1 Pair	181
59	3503.1.34	Grease Slinger	1	137
60	3831.3.12	Armature Assenbly	1	2,932
61	3274.1.37	Threaded Bushing	1	162
62	272.1.22	Ball Bearing (6200 Zz)	1	303
63	3431.2.11	O-ring 34*2	1	32
64	3278.1.65	Motor Housing Cover	1	227
65	3431.2.12	Threaded Ring	1	181
66	3253.1.40	Cap	1	21
67	3326.1.78	Screw St5.5*25	8	4
68	3330.1.66	Switch	1	227
69	3330.1.67	Switch Actuator	1	42
70	3330.1.68	Speed Control	1	1,301
71	3270.1.40	Shift Plate	1	57
72	272.1.09	Ball Bearing 6*16*7.5	1	36
73	3317.1.09	Light Conductor	1	21
74	3329.2.04	Handle	1	846
75	3326.1.79	Screw M6*35	2	4
76	3326.1.80	Screw St4.2*16	1	2
77	3279.1.54	Cord Clamp	1	21
78	3503.1.35	Strain Relief / Cable Sleeve	1	93
79	3290.1.12	Cable	1	522
80	3222.1.13	Hex Bolt M8*130	1	36
81	3433.1.05	Catch Disc	2	21
82	3279.1.55	Clamp Holder	2	32
83	3279.1.56	Clamp Assembly	1	72
84	3329.2.05	Auxiliary Handle	1	295
85	3503.1.36	Knob	1	40
86	3222.1.14	Hex Bolt M8	1	4
87	3503.1.37	Knob Cap	1	32
90	3226.1.30	Motor Fan	1	53
91	3361.1.04	Clamp Sleeve For Wires	2	2

SPARES ▶

MODEL : RW15H
15 Kg. Demolition Hammer





MODEL : RW15H

15 Kg. Demolition Hammer

◀ SPARES

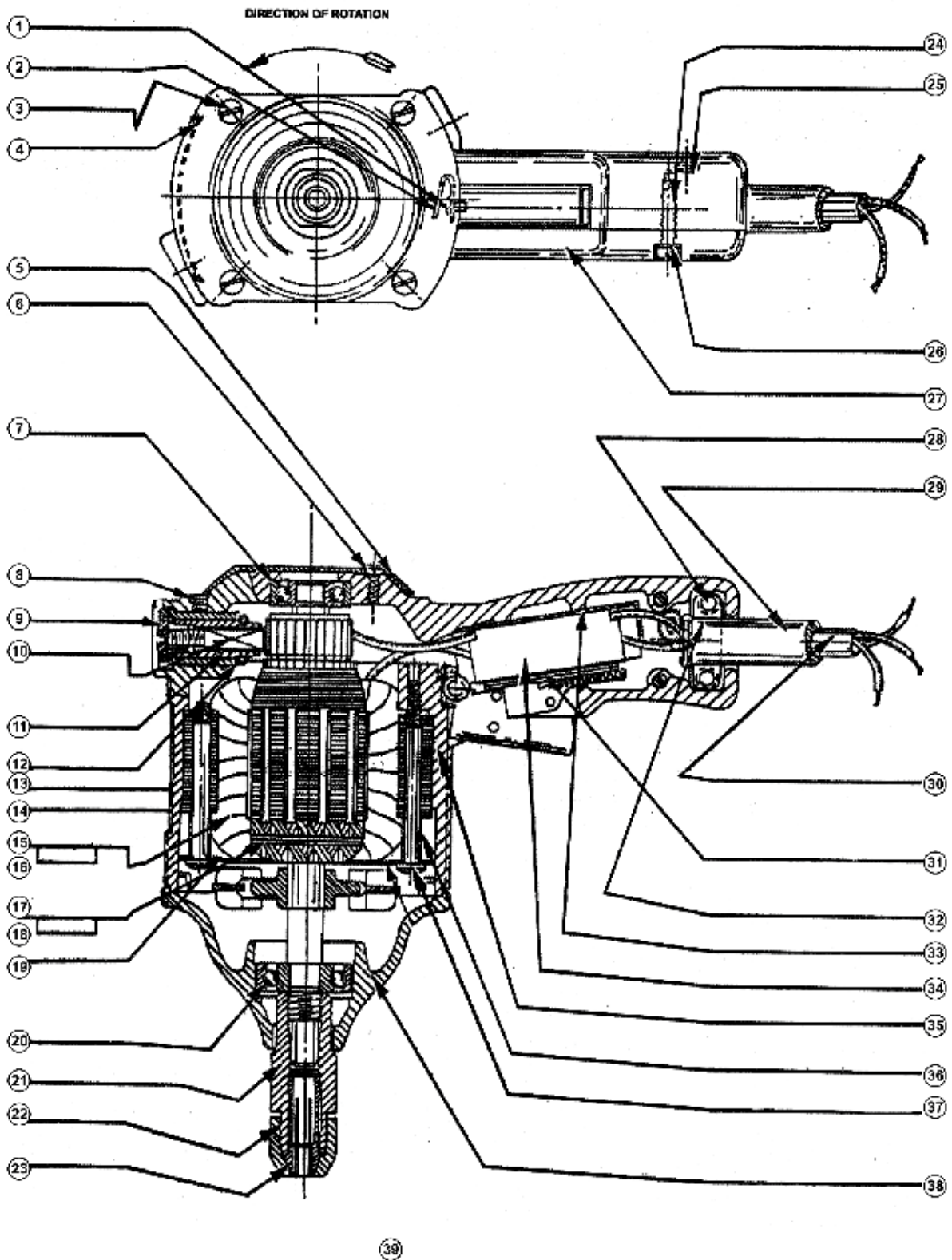
Drg. No.	Part No.	Description	Qty./Tool	Price (₹)
1	3226.1.09	M8×40 Screw Set	6	13
2	3501.1.79	Cylindrical Pin 74×18	1	2
3	3501.1.80	Lock Pin Sleeve	1	42
4	3231.1.87	Washer Ø12.5×Ø18×2	1	2
5	3501.1.81	Lock Pin Spring Ø16×Ø1.5×25	1	2
6	3501.1.82	Iron Head	1	600
7	3503.1.05	Rotary Handle Cushion Ø48×Ø67×14.5	1	95
8	3432.1.25	O Ring Ø23×Ø5.4	1	15
9	3503.1.06	Rotary Handle Sleeve	1	274
10	3503.1.07	Open Ring Sleeve	1	90
11	3503.1.08	Open Ring	1	253
12	3501.1.83	Lock Pin	1	147
13	3231.1.88	Washer Ø57×Ø68.5×2	1	25
14	3503.1.09	Open Ring Sushion Ø58.5×Ø68.5×9.5	1	95
15	3278.1.58	Front Cover	1	2,168
16	3226.1.10	Screw Set M8×40	4	11
17	3432.1.26	O Ring Ø59×?2	1	32
18	3503.1.17	Piston Cylinder	1	951
19	3432.1.27	Piston Ring	1	263
20	3501.1.84	Piston Pin Ø12×44	1	36
21	3503.1.10	Piston	1	210
22	3501.1.85	Link Rod	1	290
23	3273.1.29	Needle Bearing Nk1820	1	128
24	3231.1.89	Link Rod Washer	1	15
25	3226.1.11	Screw Set M8×25	1	13
26	3503.1.11	Oil Rope	1	21
27	3398.1.14	Fuel Tank Gasket I	1	15
28	3231.1.90	Oil Rope Washer	1	32
29	3226.1.17	Screw Set M4×12	4	2
30	3278.1.59	Fuel Tank Cover With Gasket	1	63
31	3226.1.12	Screw Set M5×16	4	2
32	3432.1.28	O Ring 20×Ø2.5	1	32
33	3503.1.12	Oil Window	1	63
34	3226.1.13	St Screw St4.8×80	2	4
35	3344.1.19	Fan Guide	1	63
36	3821.3.06	Field	1	1,858
36	3821.3.56	Field 110v	1	2,230
37	3260.1.41	Motor Housing	1	316
38	3252.1.46	Brush Holder Board	2	6
39	3252.1.47	Brush Holder	2	32
40	3251.9.56	Carbon Brush	1 Pair	114
41	3310.1.89	Flat Spring	2	6
42	3226.1.14	St Screw St4.2×16 C Type	4	2
43	3270.1.33	Rear Cover	1	105
44	3226.1.15	Screw Set M6×35	4	4
45	3226.1.16	Screw Set M6×55	6	8
46	3270.1.34	Gear Box Top Cover	1	716

Drg. No.	Part No.	Description	Qty./Tool	Price (₹)
47	3272.1.17	Bearing 6302	1	84
48	3310.1.90	D22 Shaft Circlip	1	2
49	3300.1.33	Crankshaft Gear	1	400
50	3275.1.39	Woodruff Key 4×6.5×16	2	6
51	3503.1.13	Crankshaft Distance Sleeve	1	17
52	3432.1.29	Gear Box Seal Ring 8 Type	1	63
53	3270.1.35	Middle Cover	1	673
54	3503.1.14	Column Ø6×18	2	4
55	3432.1.30	Gear Box Seal Ring	1	32
56	3272.1.18	Bearing 6205	1	105
57	3503.1.15	6205 Bearing Cover	1	42
58	3226.1.18	Screw M5×16	7	2
59	3291.1.39	Crankshaft	1	400
60	3265.1.26	Gear Box	1	2,063
61	272.1.23	Bearing 6201	1	246
62	3300.1.34	Middle Gear	1	337
63	3226.1.19	Hexagon Screw M5×12	3	2
64	3503.1.16	6001 Bearing Cover	1	42
65	272.1.59	6001 Bearing	1	281
66	272.1.65	6203 Bearing	1	294
67	3831.3.06	Armature	1	2,568
67	3831.3.56	Armature 110v	1	3,082
68	272.1.23	6201 Bearing	1	246
69	3226.1.20	Cross-recessed Head Screw KA40×16	6	2
70	3278.1.60	Handle Cover	1	82
71	3278.1.61	Rubber Column Ø4×10	2	6
72	3330.1.59	Switch	1	168
73	3279.1.87	Cable Clamp	1	2
74	3329.1.89	Handle	1	107
75	3226.1.21	Hexagon Screw Set M6×22	4	4
76	3360.1.90	Cable Sleeve	1	21
77	290.52	Cable With Plug	1	337
78	3329.1.90	Side Handle	1	84
79	3329.1.91	Side Handle Frame	1	139
80	3231.1.91	Washer Ø12.5×Ø23×1	2	2
81	3503.1.18	Side Handle Locking Lever	1	48
82	3501.1.84	Pin 3×25	2	36
83	3226.1.22	Hexagon Screw M8×20	2	6
84	3279.1.88	M8 Nut	2	4
85	3279.1.90	Side Handle Latch Segment	1	2

SPARES ▶

MODEL : HSG

6mm High Speed Grinder (Pistol Type)



MODEL : HSG

6mm High Speed Grinder (Pistol Type)

◀ SPARES

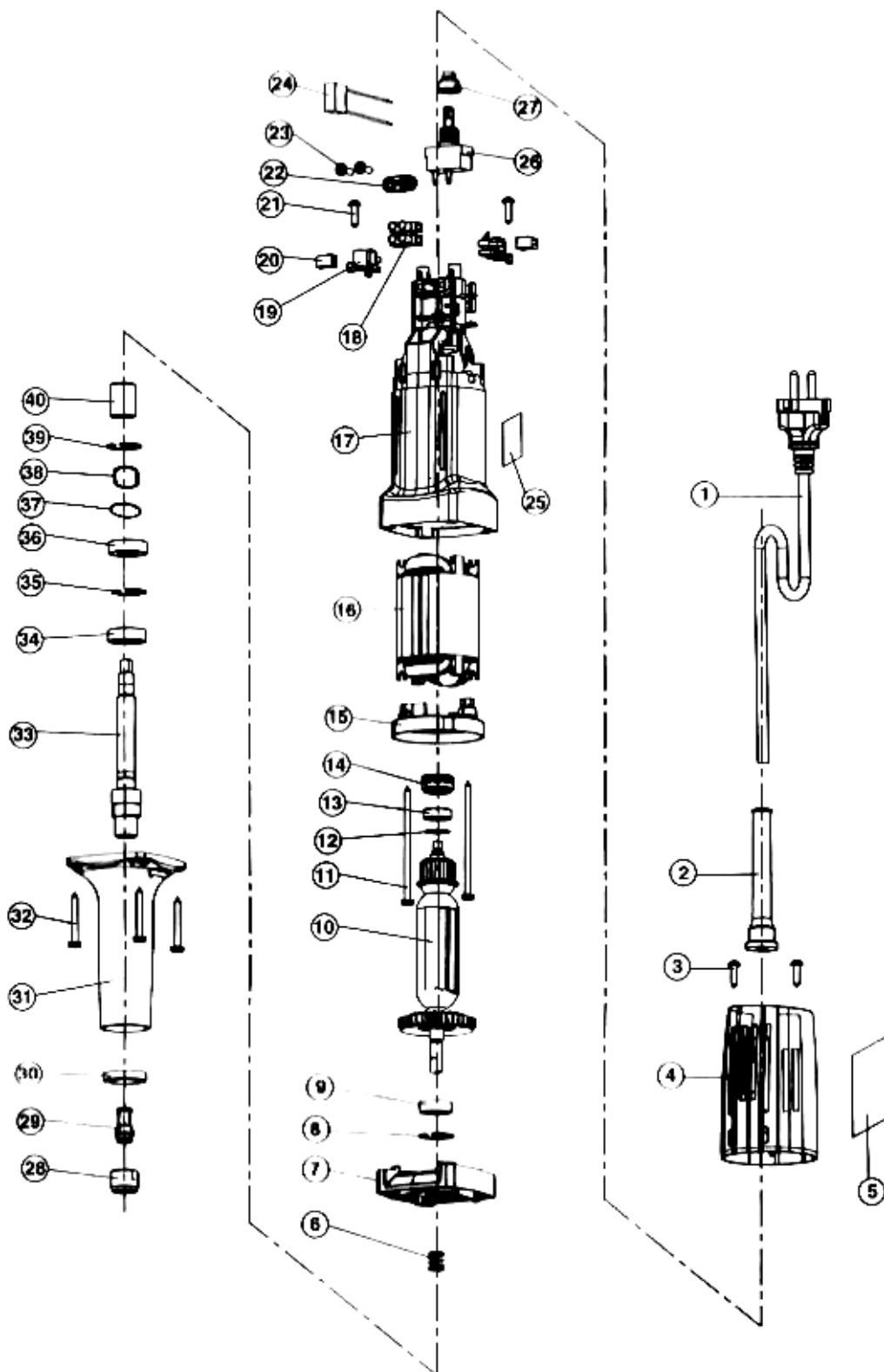
Drg. No.	Part No.	Description	Qty./Tool	Price (₹)
1	601.1.36	Screw	1	20
2	395.1.34	Earth Connector	1	20
3	600.1.82	Screw	4	20
4	231.1.16	Washer	4	20
5	278.1.39	End Cover	1	89
6	601.1.02	Screw	2	20
7	272.1.19	Bearing 629 ZZ	1	354
8	602.1.54	Grib Screw	2	20
9	253.1.05	Brush Cap	2	34
10	251.9.12	Carbon Brush	1 PAIR	76
11	252.1.15	Brush Holder	2	100
12	239.1.17	Insln Washer	2	20
14	225.1.01	Screw	4	20
15	821.3.41	Field Coil 300W	1	1,266
16	2820.3.13	Field Coil 500W	1	1,266
17	832.3.26	Armature 300W	1	1,895
18	2831.3.13	Armature 500W	1	1,895
19	344.1.05	Baffle Plate	1	25
20	272.1.22	Bearing 6200 ZZ	1	303
21	391.1.03	Collet Holder	1	190

Drg. No.	Part No.	Description	Qty./Tool	Price (₹)
22	604.1.85	Collet Nut	1	123
23	334.1.03	Collet	1	508
24	600.1.85	Screw	2	20
25	226.1.07	Screw	1	20
26	232.1.14	Washer	2	20
27	278.1.57	Switch Cover	1	114
28	601.1.22	Screw	2	20
29	360.1.28	Sleeve	1	34
30	403.3.61	Cable Assembly	1	256
31	232.1.13	Washer	4	20
32	279.1.43	Clamp	1	25
33	500.1.87	Switch Insulation	1	20
34	330.1.07	Switch	1	246
35	260.1.60	Motor Frame	1	1,218
36	321.1.65	Distance Piece	2	34
37	600.1.63	Screw	2	20
38	268.1.19	End Bracket	1	313
39	832.3.27	Armature 300w 115 V	1	2,273
40	821.3.42	Field Coil 300w 115 V	1	1,520

SPARES ▶

MODEL : RDG600

6mm High Speed Grinder Straight Type (Double Insulated)



MODEL : RDG600

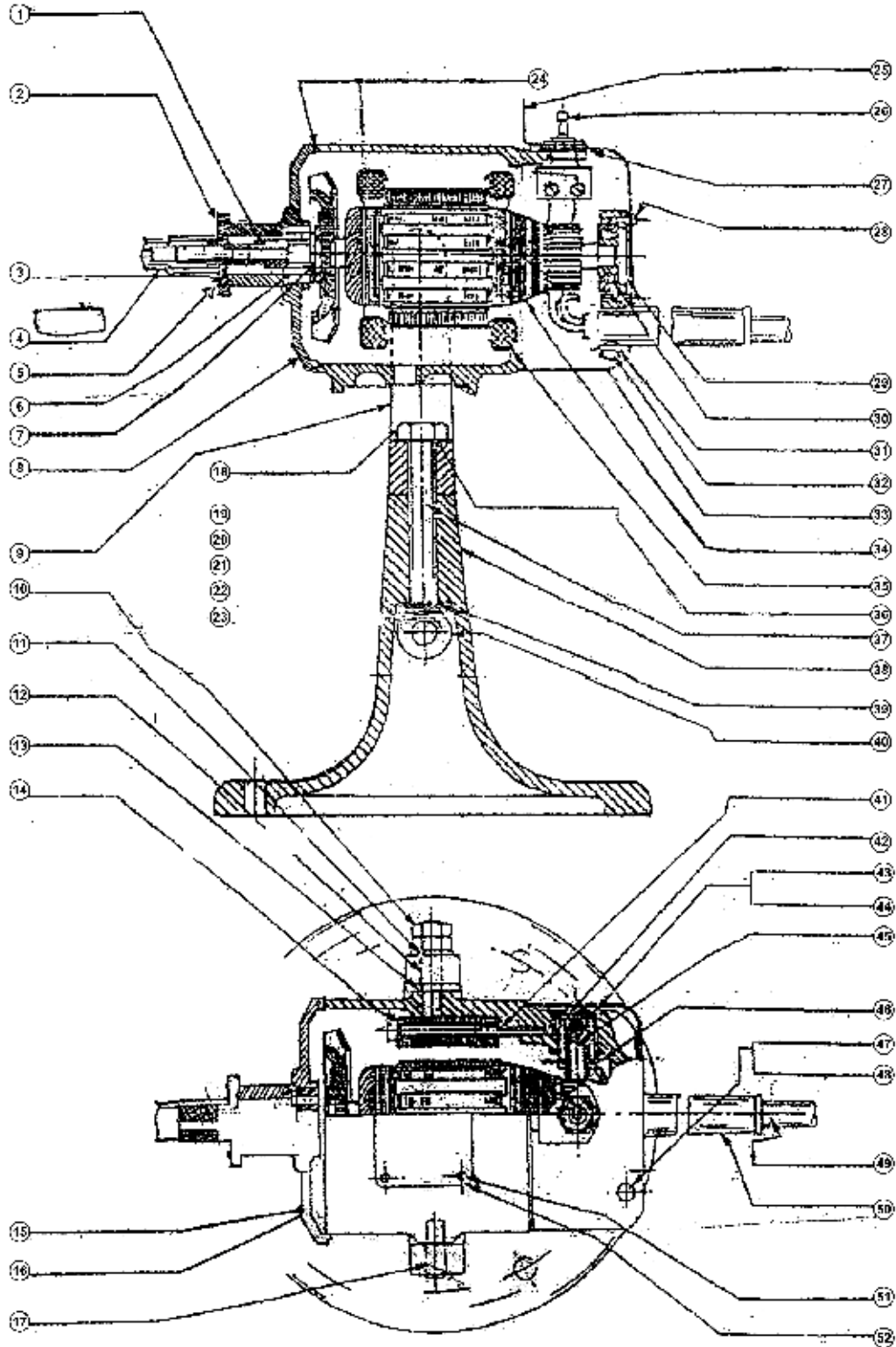
6mm High Speed Grinder Straight Type (Double Insulated)

Drg. No.	Part No.	Description	Qty./Tool	Price (₹)
2	3360.1.11	Cord Sleeve	1	46
4	3270.1.14	Rear Cover	1	245
6	3310.1.24	Spring	1	16
7	3270.1.13	Cover	1	437
8	3311.1.32	Circlip/ C Ring	1	23
9	272.1.04	Bearing 608 ZZ	1	257
10	3830.3.18	Armature Assly.	1	2,279
10	3830.3.42	Armature Assly. 115V	1	2,734
11	3220.1.80	Field Screw	1	29
12	3327.1.10	Dust Cover	1	29
13	272.1.21	Bearing 626 ZZ	1	258
14	3431.1.31	O Ring	1	67
15	3500.1.93	Fan Guide	1	53
16	3820.3.18	Field Assly	1	1,271
16	3820.3.42	Field Assly 115V	1	1,525
17	3260.1.15	Motor Housing	1	754
19	3352.1.13	Brush Holder	1	81
20	3251.9.14 A	Carbon Brush	1 PAIR	268
21	3220.1.81	Screw	1	16
22	3279.1.11	Cord Clip	1	46
26	3330.1.21	Switch	1	200
27	3500.1.92	Rubber Cap	1	16
28	3249.1.06	Nut	1	347
30	3230.1.81	Dish Washer	1	216
31	3365.1.03	Casing	1	754
32	3220.1.79	Screw	1	16
33	3291.1.16	Spindle	1	1,064
34	272.1.97	Bearing 6901 ZZ	1	194
35	3311.1.31	Retaining Ring / Circlip	1	23
36	272.1.96	Bearing 6000 ZZ	1	188
37	3230.1.82	Washer	1	23
38	3230.1.83	Washer	1	29
39	3311.1.30	Retaining Ring / Circlip	1	23
40	3342.1.02	Coupling	1	89
B	3399.1.12	Spanner	1	141
29,28	3393.3.04	Collet Chuck Assy	1	1,671
3, 23	3220.1.78	Screw	1	16
31,30,33, 34,36,37, 38,39,35	3365.3.03	Nose Bracket Assy	1	2,821

SPARES ▶

MODEL : FSG2

6mm Single Speed Flexible Shaft Grinder



53



MODEL : FSG2

6mm Single Speed Flexible Shaft Grinder

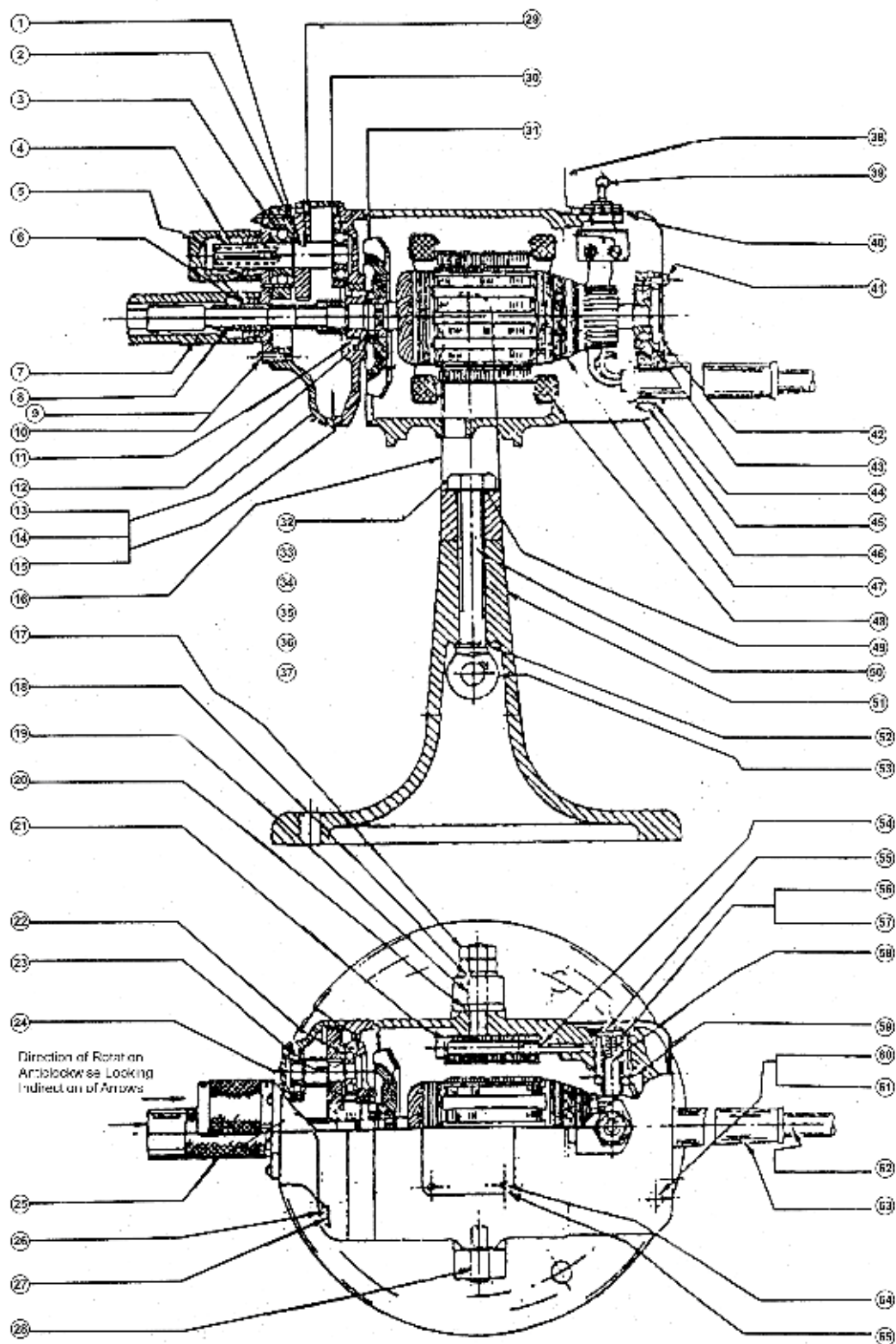
Drg. No.	Part No.	Description	Qty./Tool	Price (₹)
1	500.1.46	Shaft Extension	1	303
2	278.1.75	Cover	1	393
3	231.1.14	Washer	4	20
5	601.1.16	Screw	6	20
6	272.1.23	Bearing 6201 ZZ	1	246
7	230.1.27	Washer	1	20
8	268.1.17	End Bracket	1	489
9	500.1.44	Swivel Cradle	1	834
10	604.1.32	Nut	2	20
11	606.1.31	Washer	3	20
12	229.1.06	Stud	1	65
13	239.1.31	Washer	2	20
14	231.1.02	Washer	2	20
15	600.1.38	Screw	4	20
16	231.1.11	Washer	4	20
17	603.1.15	Screw	1	34
18	601.1.82	Screw	1	20
19	502.3.49	Grinding Wheel Arbor	1	294
20	340.1.08	Abrasive Wheel Arbor	1	132
21	232.1.13	Washer	4	20
22	405.1.16	Warning Plate	1	50
23	225.1.01	Screw	2	20
24	260.1.40	Motor Frame	1	1,692
25	405.1.17	Warning Plate/ Indicator Plate	1	50
26	330.1.08	Switch	1	223
27	230.1.27	Washer	1	20
28	600.1.79	Screw	1	20
29	236.1.06	Dished Blank	1	20
30	272.1.22	Bearing 6200 ZZ	1	303
31	279.1.42	Cable Clamp	1	34
32	600.1.82	Screw	2	20
33	278.1.35	End Cover	1	166
34	832.3.30	Armature	1	3,577
34	832.3.31	Armature 115V	1	4,291
35	821.3.49	Field Coil	1	1,788
35	821.3.50	Field Coil 115V	1	2,146
37	500.1.45	Swivelling Pin	1	148
38	313.1.03	Base	1	1,546
39	606.1.34	Washer	4	20
40	228.1.01	Eye Bolt	1	109
41	600.1.19	Screw	2	20

Drg. No.	Part No.	Description	Qty./Tool	Price (₹)
42	253.1.05	Br Holder Cap	2	34
43	252.1.21	Brush Holder	2	89
44	602.1.54	Grub Screw	2	20
45	251.9.17	Carbon Brush	1 PAIR	76
46	239.1.12	Insln Washer	2	20
47	606.1.24	Washer/ Key	1	20
48	600.1.90	Screw / Earth Screw	1	20
49	403.3.64	Cable Assembly	1	328
50	360.1.32	Sleeve	1	34
51	225.1.02	Screw	4	20
53	2399.1.02	Spanner	1	154
54	365.1.27	Bracket	2	294
36,47	606.1.24	Washer	1	20

SPARES ▶

MODEL : FF2

6mm Two Speed Flexible Shaft Grinder





MODEL : FF2

6mm Two Speed Flexible Shaft Grinder

◀ SPARES

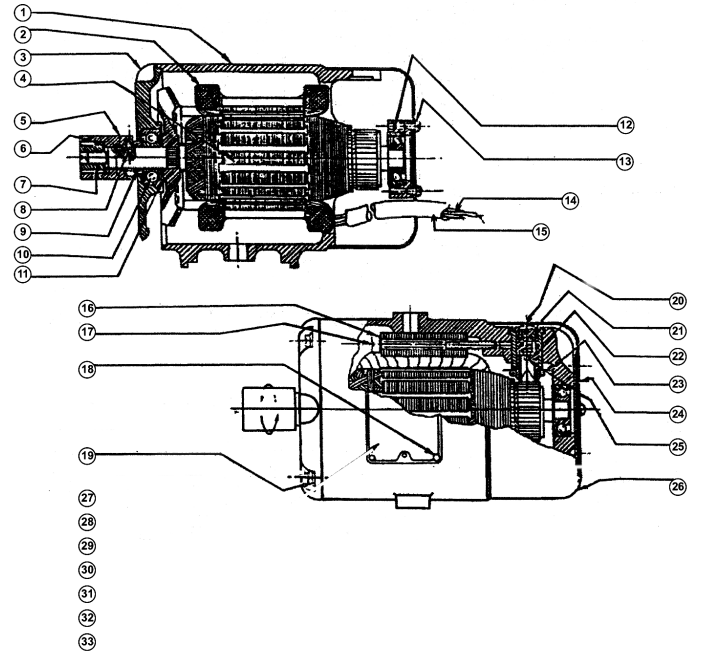
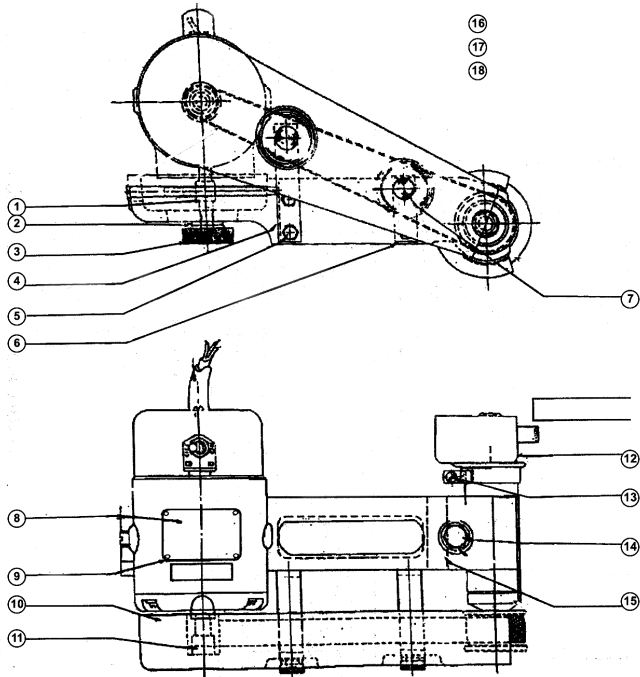
Drg. No.	Part No.	Description	Qty./Tool	Price (₹)
4	290.1.85	Spindle	1	181
5	500.1.54	Protecting Cap	1	89
6	365.1.27	Bracket	2	294
8	500.1.47	Shaft Extn Pinion	1	320
9	231.1.14	Washer	6	20
10	601.1.16	Screw	6	20
13	265.1.44	Gear Box	1	533
14	347.1.20	Dowel	1	25
15	270.1.33	Gear Plate	1	525
16	500.1.44	Swivel Cradle	1	834
17	604.1.32	Nut	2	20
19	229.1.06	Stud	1	65
20	239.1.31	Washer	1	20
21	231.1.02	Washer	2	20
22	272.1.04	Bearing 608 ZZ	1	257
24	300.1.85	Gear / Inter Pinion	1	360
25	300.1.67	Gear	1	539
26	600.1.47	Screw	3	20
27	231.1.11	Washer	4	20
28	603.1.15	Screw (stud)	1	34
29	300.1.68	Gear	1	720
30	272.1.19	Bearing 629 ZZ	1	354
31	260.1.40	Motor Frame	1	1,692
32	601.1.82	Screw	1	20
33	502.3.49	Grinding Wheel Arbor	1	294
34	340.1.08	Abrasive Wheel	1	132
35	232.1.13	Washer	4	20
36	405.1.16	Warning Plate	1	50
37	225.1.01	Screw	2	20
38	405.1.17	Warranty Plate	1	50
39	330.1.08	Switch	1	223
41	600.1.79	Screw	2	20
42	236.1.06	Dished Blank	1	20
43	272.1.22	Bearing 6200 ZZ	1	303
44	279.1.42	Cable Clamp	1	34
45	600.1.82	Screw	2	20
46	278.1.35	End Cover	1	166
47	832.3.30	Armature	1	3,577
47	832.3.31	Armature 115V	1	4,291
48	821.3.49	Field Coil	1	1,788
48	821.3.50	Field Coil 115V	1	2,146

Drg. No.	Part No.	Description	Qty./Tool	Price (₹)
49	606.1.34	Washer	4	20
50	500.1.45	Swivelling Pin	1	148
51	313.1.03	Base	1	1,546
53	228.1.01	Eye Bolt	1	109
54	600.1.19	Screw	2	20
55	253.1.05	Brush Holder Cap	2	34
56	252.1.21	Brush Holder	2	89
57	602.1.54	Grub Screw	2	20
58	251.9.17	Carbon Brush	1 PAIR	76
59	239.1.12	Washer	2	20
60	606.1.24	Washer	1	20
61	600.1.90	Screw	1	20
62	403.3.64	Cable Assembly	1	328
63	360.1.32	Sleeve	1	34
64	225.1.02	Screw	4	20
67	600.1.48	Screw	1	20
68	306.1.32	Sleeve	1	34
1,23	275.1.53	Key	2	44
1,4,29	300.3.68	Gear Assy.	1	930
12,2,40	230.1.27	Washer	3	20
18,52	606.1.31	Washer	5	20
23,24,25	300.3.67	Gear Assy.	1	941
3,11	272.1.23	Bearing 6201 ZZ	2	246

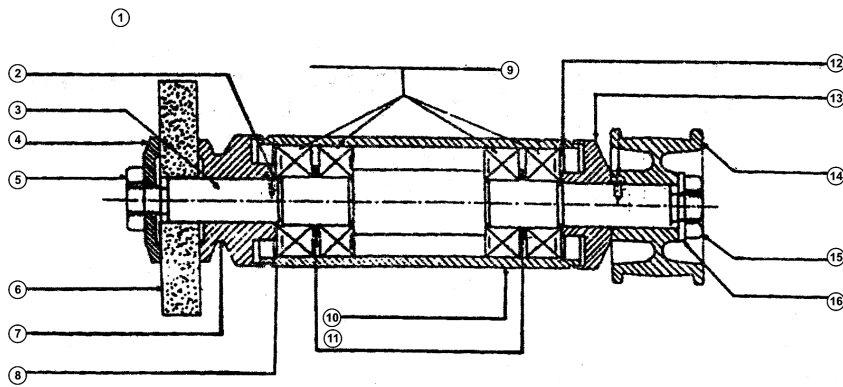
SPARES ▶

MODEL : GL3 - PART FOR GL3-F

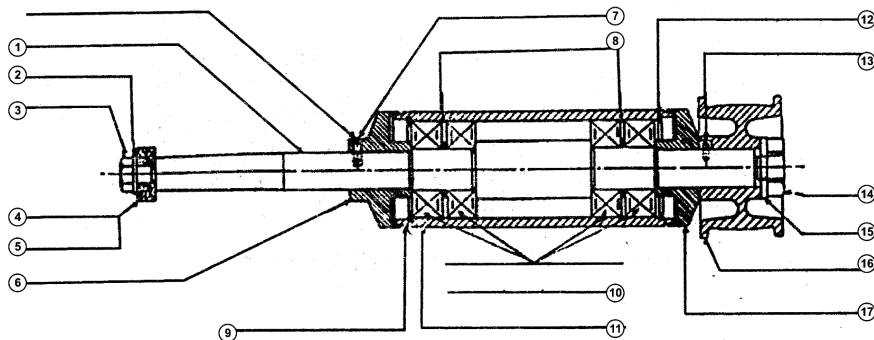
MOTOR FOR GL 3 - PART NO. SM4D



290.3.87 - EXTERNAL GRINDING SUB ASSY.



290.3.89 - INTERNAL GRINDING SUB ASSY.



MODEL : GL3 - PART FOR GL3-F

Drg. No.	Part No.	Description	Qty./Tool	Price (₹)
2	229.1.07	Stud	1	50
3	606.1.30	Spacer	2	20
4	604.1.74	Nut	1	25
5	365.1.29	Bracket	1	65
6	602.1.04	Screw	4	20
7	365.1.30	Bracket	1	65
9	2602.1.03	Screw	1	20
12	225.1.02	Screw	4	20
13	332.1.12	Belt Guard	1	1,088
14	335.1.01	Motor (Pulley)	1	197
15	332.1.13	Wheel Guard	1	360
16	600.1.42	Screw	1	20
17	601.1.90	Screw	1	34
19	365.1.28	Bracket	1	1,341

MOTOR FOR GL 3 - PART NO. SM4D

Drg. No.	Part No.	Description	Qty./Tool	Price (₹)
1	260.1.40	Frame	1	1,692
2	821.3.53	Field Assy.	1	1,788
2	821.3.54	Field Coil 115V	1	2,146
3	267.1.71	End Bracket	1	508
4	831.3.50	Armature Assy.	1	3,364
4	831.3.51	Armature 115V	1	4,036
5	335.1.01	Pulley	1	197
6	231.1.19	Washer	1	20
7	604.1.56	Nut	1	20
8	500.1.63	Dowel	3	44
9	321.1.57	Spacer	1	59
10	272.1.23	Bearing	1	246
11	230.1.27	Washer	2	20
12	272.1.22	Bearing	1	303
13	600.1.79	Screw	2	20
14	291.24	Cable Assy.	1	205
15	360.1.32	Sleeve	1	34
17	600.1.19	Screw	2	20
18	225.1.02	Screw	4	20
20	231.1.11	Washer	4	20
22	253.1.05	Brush Cap	2	34
23	252.1.21	Bush Holder	2	89
24	251.9.17	Carbon Brush	2	76
25	239.1.12	Washer	2	20
27	602.1.54	Screw	1	20
28	278.1.35	Cover	1	166
30	330.1.08	Switch	1	223
31	279.1.42	Clamp	1	34
32	600.1.82	Screw	2	20
33	2274.1.05	Bush	2	59
34	2322.1.02	Shim	4	34
35	231.1.15	Washer	1	20
36	405.1.17	Warning Plate	1	50

290.3.89 - INTERNAL GRINDING ATTACHMENT FOR GL3

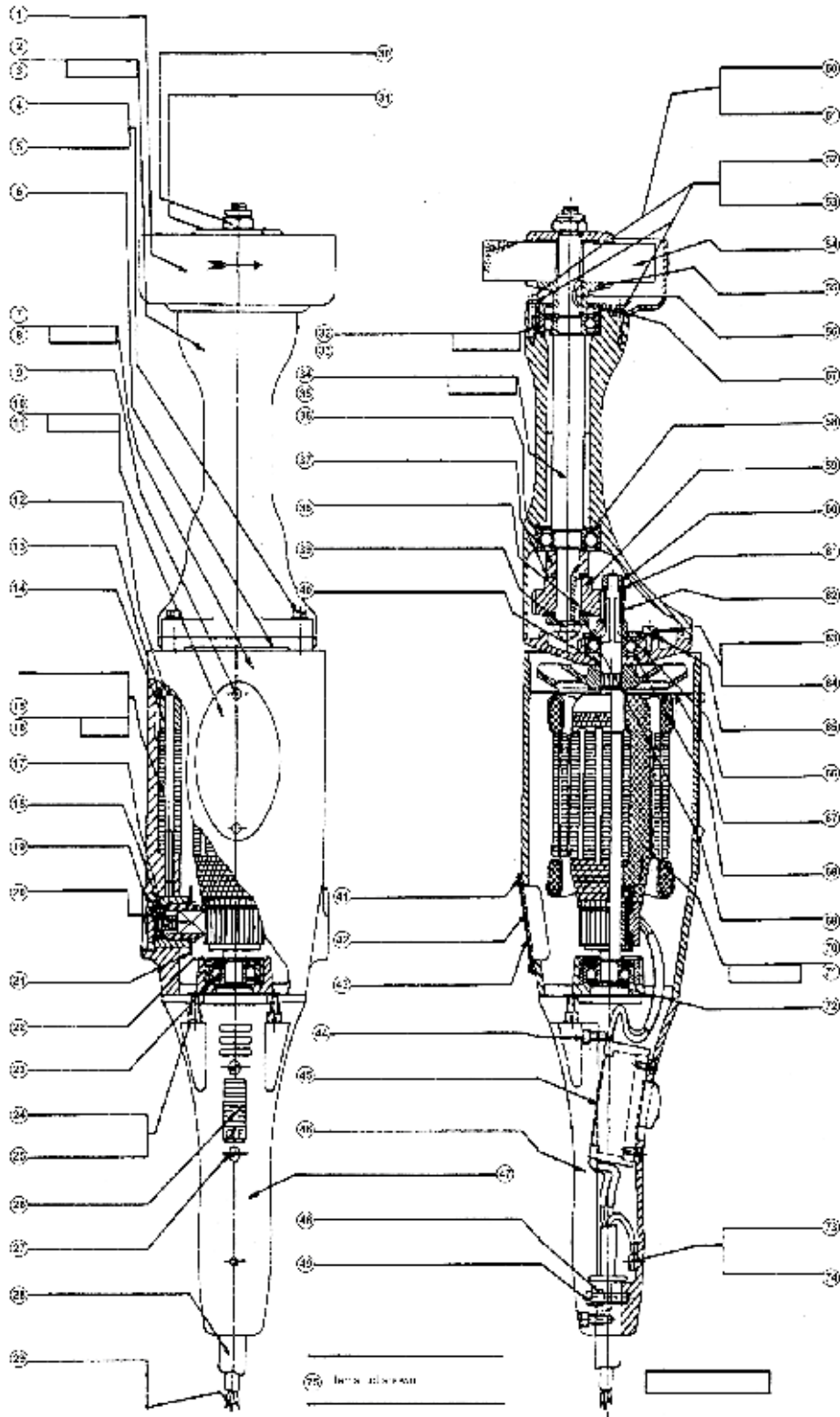
Drg. No.	Part No.	Description	Qty./Tool	Price (₹)
1	290.1.89	Spindle	1	596
2	606.1.28	Washer	1	19
3	604.1.21	Nut	1	13
4	340.1.10	Abrasive Wheel	1	109
5	340.1.11	Abrasive Wheel	1	116
6	500.1.65	Cover Plate	1	415
7	221.1.13	Screw	1	13
8	321.1.90	Spacer	2	42
9	311.1.22	Circlip	1	19
10	272.1.43	Bearings	4	428
11	346.1.15	Casing	1	950
12	311.1.22	Circlip	1	19
13	500.1.63	Driving Pin	2	42
14	604.1.32	Nut	1	19
15	606.1.32	Washer	1	19
16	335.1.02	Pully	1	305
17	500.1.62	Cover Plate	1	227
23	335.1.03	Motor Pulley	1	444
24	277.1.05	Belt	1	316

290.3.87 - EXTERNAL GRINDING ATTACHMENT FOR GL3

Drg. No.	Part No.	Description	Qty./Tool	Price (₹)
1	500.1.63	Driving Pin	1	44
2	290.1.87	Spindle	1	172
3	409.1.17	Flange (outer)	1	166
4	604.1.32	Nut	1	20
5	340.1.09	Abrasive Wheel	1	129
6	409.1.18	Flange	1	223
7	311.1.22	Circlip	1	20
8	272.1.43	Bearings	4	449
9	346.1.15	Casing	1	998
10	321.1.90	Spacer	2	44
11	311.1.22	Circlip	1	20
12	500.1.62	Cover Plate	1	238
13	500.1.63	Driving Pin	1	44
14	335.1.02	Pulley	1	320
15	604.1.32	Nut	1	20
16	606.1.31	Washer	1	20

MODEL : GQ4 BR / GQ4 BR11

100mm Heavy Duty Straight Grinder



MODEL : GQ4 BR / GQ4 BR11

100mm Heavy Duty Straight Grinder

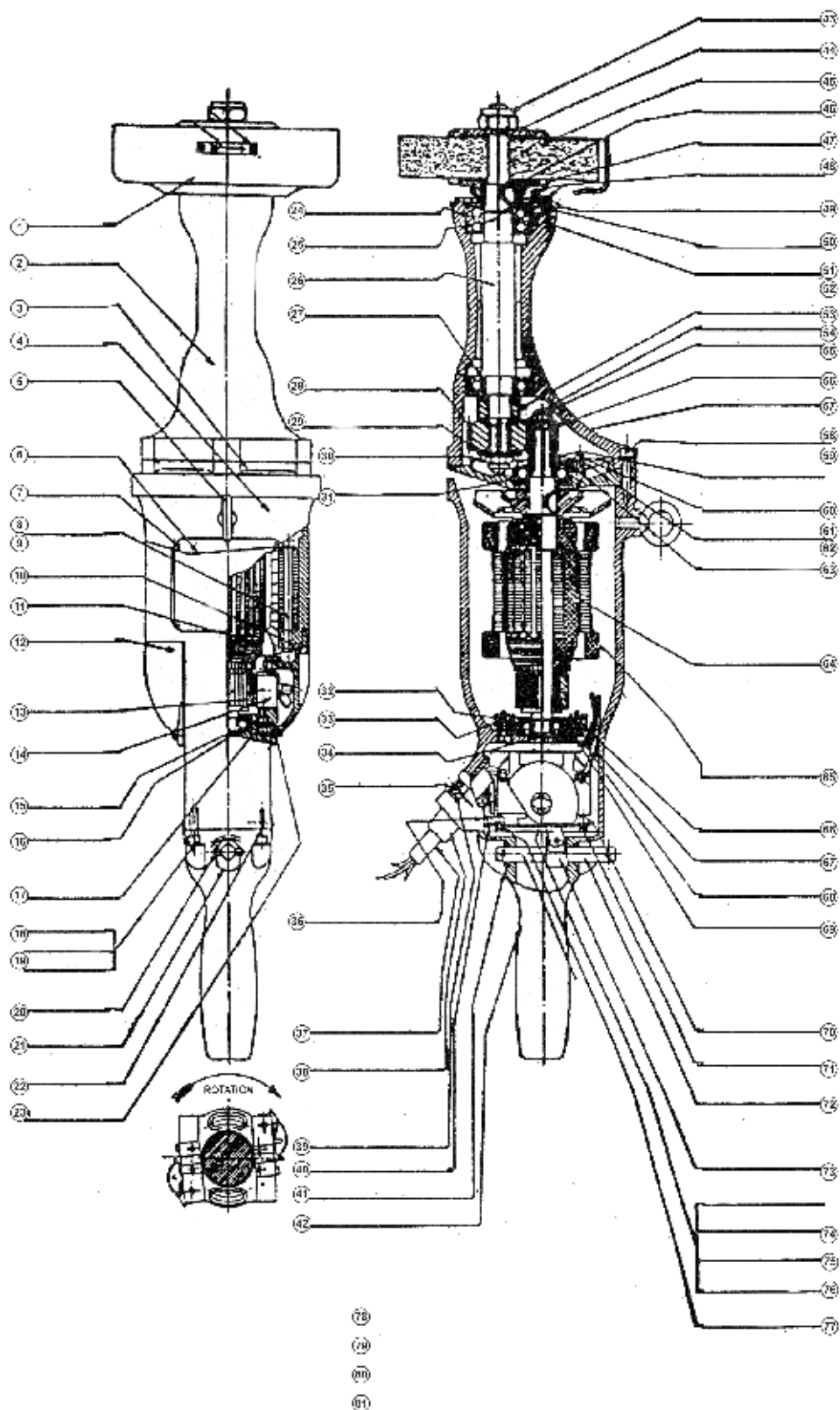
◀ SPARES

Drg. No.	Part No.	Description	Qty./Tool	Price (₹)
1	332.1.15	Wheel Guard	1	386
2	346.1.16	Casing / Spindle	1	743
4	2600.1.01	Screw	4	84
5	231.1.11	Washer	4	20
6	270.1.36	Gear Plate	1	502
7	260.1.62	Motor Frame	1	2,317
8	260.1.62 (BR)	Motor Frame	1	2,317
9	225.1.02	Screw	2	20
12	600.1.29	Screw Field	2	44
13	231.1.12	Washer	2	20
14	615.1.01	Distance Piece	2	25
15	821.3.92	Field Coil GQ4 Std	1	1,478
15	821.3.93	Field Coil GQ4 115v	1	1,776
15	822.3.01	Field Coil GQ4br11 Std	1	1,478
15	822.3.02	Field Coil GQ4br11 115v	1	1,776
17	602.1.54	Grub Screw	2	20
18	252.1.29	Brush Holder	2	109
19	253.1.08	Brush Cap	2	44
20	251.9.31	Carbon Brush	1 PAIR	100
21	239.1.14	Washer	2	20
22	230.1.37	Washer	1	141
23	272.1.22	Bearing 6200 ZZ	1	303
24	600.1.60	Screw	4	34
25	232.1.11	Washer	2	20
26	330.1.10	Switch	1	278
27	601.1.02	Screw	2	20
28	360.1.32	Sleeve Cable	1	34
30	604.1.63	Nut	1	44
31	409.1.20	Outer Flange	1	132
34	290.1.88	Spindle	1	664
36	321.1.91	Spacer	1	84
37	234.1.04	Washer	2	25
38	275.1.55	Key	1	50
39	604.1.54	Nut / Pinacle	1	20
40	321.1.51	Spacer	1	65
41	601.1.18	Screw	4	20
42	398.1.10	Gasket	1	34
43	278.1.77	Cover	1	114
44	600.1.85	Screw	4	20
45	500.1.76	Switch Insln	1	20
46	278.1.78	Cover	1	148

Drg. No.	Part No.	Description	Qty./Tool	Price (₹)
47	329.1.30	Handle/ Switch Handle	1	443
48	279.1.43	Cable Clamp	1	25
50	601.1.22	Screw	3	20
54	340.1.06	Abrasive Wheel	1	313
55	409.1.19	Inner Flange	1	238
56	275.1.53	Key	1	44
57	348.1.47	Bearing Retainer	1	223
59	302.1.25	Gear	1	1,022
60	604.1.52	Nut / Lock Nut	1	20
61	606.1.43	Washer	1	44
62	302.1.27	Pinion	1	525
63	601.1.28	Screw	8	20
65	348.1.43	Bearing Retainer	1	34
66	321.1.92	Spacer	1	84
67	344.1.08	Baffle Plate	1	50
68	272.1.23	Bearing 6201 ZZ	1	246
69	606.1.56	Washer	1	84
70	830.3.70	Armature GQ4 STD	1	2,317
70	831.3.24	Armature GQ4 115V	1	2,780
70	2830.3.70	Armature GQ4BR11 STD	1	2,456
70	2830.3.71	Armature GQ4BR11 115V	1	2,947
72	236.1.06	Dished Blank	1	20
73	600.1.89	Screw	1	20
74	606.1.24	Washer	1	20
75	399.1.08	Spanner	1	166
76	606.1.57	Washer	1	76
58,32	272.1.43	Bearing 6202 ZZ	2	449
47,76,44	329.2.30	Handle Sub Assly	1	1,112
51,53,64	232.1.13	Washer	6	20

SPARES ▶

MODEL : GQ6
150mm Heavy Duty Straight Grinder





MODEL : GQ6

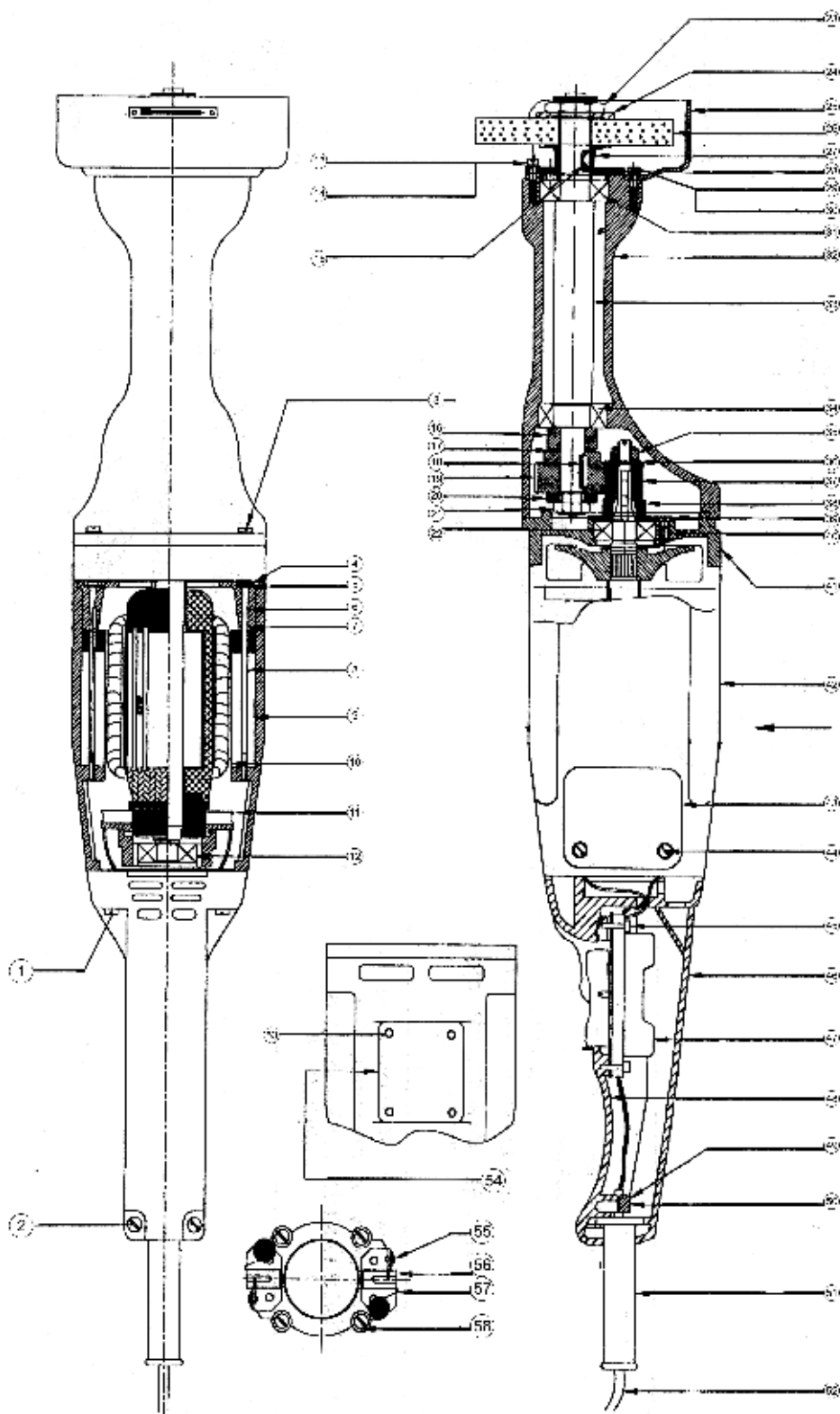
150mm Heavy Duty Straight Grinder

Drg. No.	Part No.	Description	Qty./Tool	Price (₹)
1	332.1.14	Wheel Guard	1	533
2	346.1.17	Spindle Casing	1	1,486
3	270.1.24	Gear Plate	1	841
4	260.1.39	Motor Frame	1	3,339
5	228.1.01	Eye Bolt	1	109
7	225.1.02	Screw	4	20
8	600.1.21	Screw	2	25
10	232.1.13	Washer	6	20
11	601.1.13	Screw	6	20
12	278.1.42	Cover	2	100
13	251.9.23	Carbon Brush	1 PAIR	148
14	252.1.23	Brush Holder	2	191
15	272.1.23	Bearing 6201 ZZ	1	246
16	231.1.14	Washer	4	20
17	601.1.33	Screw	4	25
18	600.1.25	Screw	4	25
19	231.1.15	Washer	4	20
21	499.1.56	Felt Retaining Plate	1	20
23	500.1.11	Insln Sheet	2	25
24	272.1.38	Bearing 4204 ZZ	1	320
26	290.1.90	Spindle	1	1,022
27	272.1.87	Bearing 6204 ZZ	1	489
28	302.1.21	Gear	1	1,259
29	236.1.18	Washer	1	114
30	604.1.63	Nut	1	44
31	272.1.65	Bearing 6203 ZZ	1	294
32	604.1.47	Nut	2	20
33	254.1.11	Rocker	1	65
34	236.1.06	Dished Blank	1	20
35	600.1.82	Screw	2	20
36	606.1.24	Washer	1	20
37	403.3.69	Cable Assembly	1	337
38	360.1.32	Sleeve	1	34
39	279.1.42	Cable Clamp	1	34
40	600.1.90	Screw	1	20
41	499.1.55	Felt Retaining Plate	1	20
42	329.1.31	Handle	1	466
43	604.1.77	Nyloc Nut	1	84
44	409.1.24	Flange	1	313
45	340.1.15	Abrasive Wheel	1	794
46	275.1.52	Key	1	44

Drg. No.	Part No.	Description	Qty./Tool	Price (₹)
47	409.1.23	Flange	1	513
48	600.1.84	Screw	2	20
50	348.1.44	Bearing Retainer	1	377
53	321.1.83	Spacer	1	181
54	234.1.04	Washer	2	25
55	604.1.53	Nut	2	20
56	302.1.26	Pinion	1	948
57	230.1.17	Washer	1	20
58	601.1.62	Screw	5	25
59	231.1.17	Washer	5	20
60	321.1.55	Spacer	1	76
63	348.1.40	Bearing Retainer	1	44
64	832.3.35	Armature	1	4,826
64	832.3.36	Armature 115V	1	5,792
65	820.3.53	Field Coil	1	2,317
65	820.3.69	Field Coil 115V	1	2,780
66	239.1.11	Insln Washer	2	34
67	360.1.01	Sleeve	2	34
68	600.1.42	Screw	2	20
70	242.1.63	Nut	2	25
72	500.1.68	Switch Plunger	1	59
73	500.1.70	Bobbin	1	25
74	330.1.09	Switch	1	337
76	500.1.71	Switch Insln Paper	1	34
77	500.1.72	Switch Support	2	34
78	399.1.09	Spanner	1	156
79	398.1.11	Gasket	1	50
80	311.1.30	Circlip	2	20
81	604.1.50	Nut	2	20
82	232.1.12	Washer	2	20
84	236.1.17	Washer /screw	1	76
51,61	600.1.98	Screw	6	25
69,9	232.1.11	Washer	4	20
71,22	601.1.30	Screw	6	20
20,75	225.1.01	Screw	6	20
49,52,62	232.1.14	Washer	9	20
42,72,73,80	329.2.31	Back Handle Sub Assly	1	1,011
14,17,23,33,49	862.3.24	Rocker Assembly	1	393

MODEL : 36100

100mm Light Weight Heavy Duty Straight Grinder (Double Insulated)



MODEL : 36100

◀ SPARES

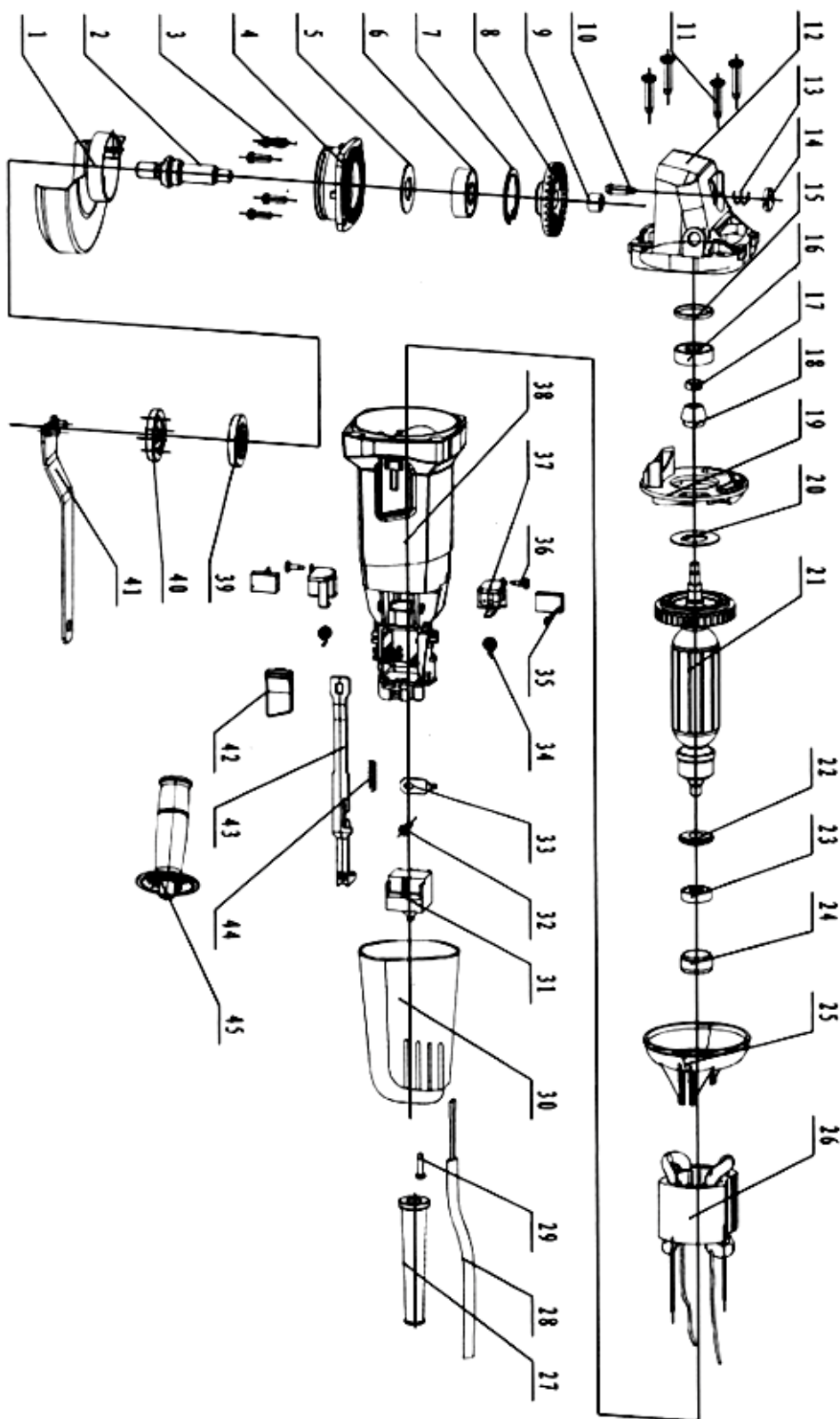
100mm Light Weight Heavy Duty Straight Grinder (Double Insulated)

Drg. No.	Part No.	Description	Qty./Tool	Price (₹)
1	224.1.06	Screw	4	20
2	224.1.05	Screw	2	20
3	2224.1.01	Screw	4	20
4	2311.1.02	Washer	2	20
5	230.1.02	Washer	2	20
6	220.1.56	Field Screw	2	20
7	344.1.02	Baffle Plate	1	89
9	820.3.03	Field Coil	1	2,704
9	822.3.58	Field Coil 115V	1	3,243
10	832.3.25	Armature	1	2,566
10	833.3.06	Armature 115V	1	3,080
11	862.3.03	Br.holder Bracket	1	156
12	272.1.22	Bearing 6200 ZZ	1	303
15	275.1.53	Key	1	44
16	321.1.91	Spacer	1	84
17	234.1.04	Washer	2	25
18	275.1.55	Key	1	50
19	302.1.25	Gear	1	1,022
20	606.1.56	Washer / Spacer	1	84
21	604.1.54	Nut	1	20
22	272.1.23	Bearing 6201 ZZ	1	246
23	604.1.63	Nut	1	44
24	409.1.20	Outer Flange	1	132
25	332.1.15	Wheel Guard	1	386
26	340.1.06	Abrasive Wheel	1	313
27	409.1.19	Inner Flange	1	238
28	348.1.47	Bearing Retainer	1	223
29	601.1.28	Cable Clamp Screw	3	20
30	232.1.13	Washer 3+3	6	20
32	2346.1.16	Spindle Casing	1	852
33	290.1.88	Spindle	1	664
35	604.1.52	Nut	1	20
36	606.1.43	Washer	1	44
37	302.1.27	Pinion	1	525
38	2321.1.03	Spacer	1	25
39	348.1.24	Bearing Retainer	1	59
40	220.1.16	Screw	3	20
41	2270.1.03	I.g.plate	1	435
42	260.1.13	Motor Frame	1	2,229
43	623.1.53	Inspection Cover	2	50
44	224.1.08	Screw	4	20

Drg. No.	Part No.	Description	Qty./Tool	Price (₹)
45	224.1.01	Screw	4	20
46	329.1.05	Handle Top	1	148
47	330.1.01	Switch	1	539
48	329.1.04	Handle Bottom	1	109
49	224.1.04	Screw	2	20
50	279.1.05	Cable Cleat/ Clamp	1	25
51	360.1.06	Sleeve	1	34
53	225.1.02	Screw	4	20
55	220.1.02	Carbon Brush Screw	2	20
56	251.9.03	Carbon Brush	1 PAIR	114
57	310.1.06	Spring	2	44
58	224.1.03	Screw	4	20
59	601.1.25	Screw	3	20
60	403.3.02	Cable Assy	1	328
61	231.1.02	Field Screw Washer	2	20
62	399.1.08	Spanner (Not Shown In Drg.)	1	166
31,34	272.1.43	Bearing 6202 ZZ	2	449

SPARES ▶

MODEL : 25100
100mm Light Duty Angle Grinder





MODEL : 25100

100mm Light Duty Angle Grinder

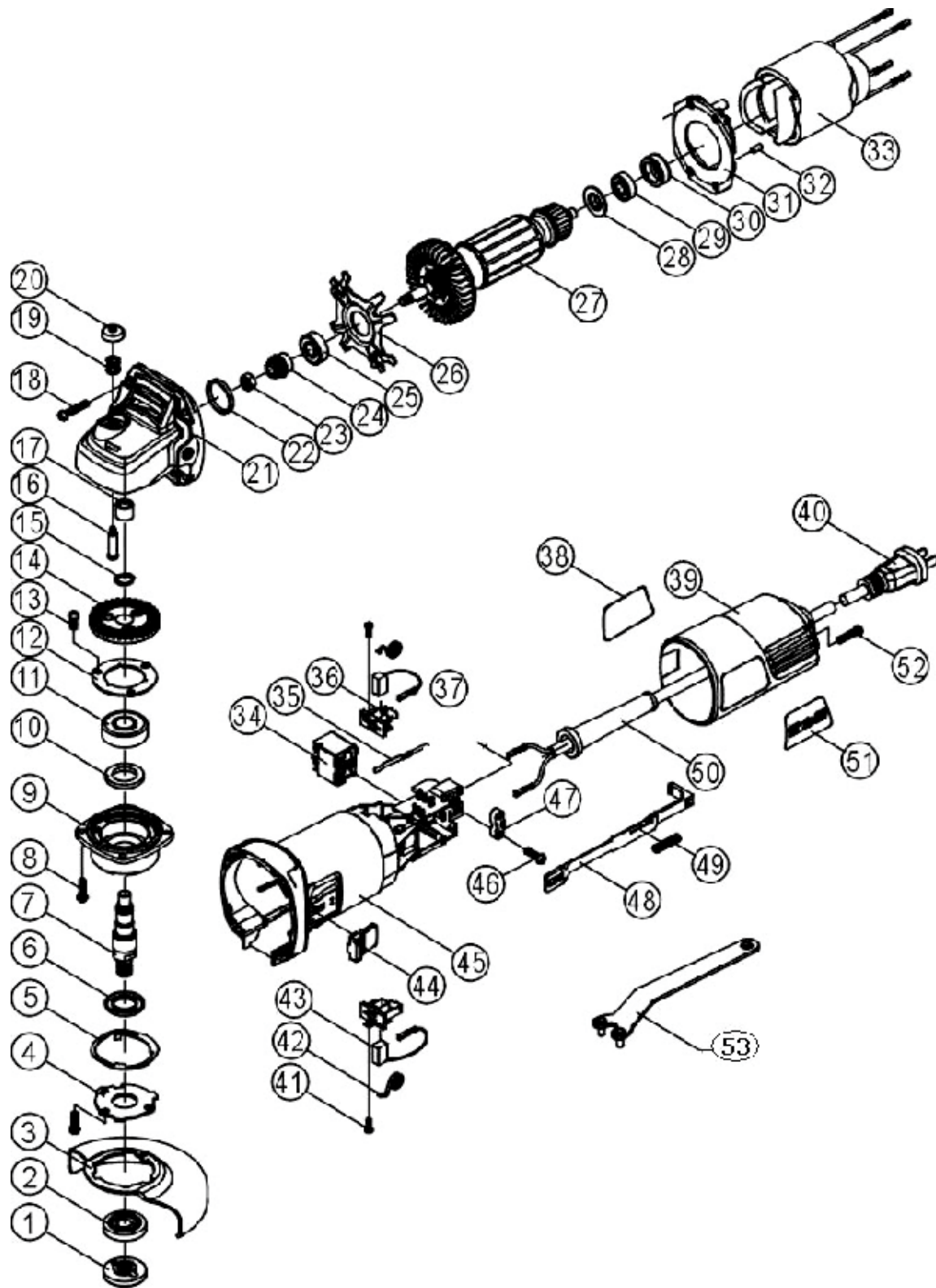
Drg. No.	Part No.	Description	Qty./Tool	Price (₹)
1	3332.1.18	Disc Cover	1	85
2	3281.1.04	Out Shaft	1	93
3	3224.1.77	Screw M4x11	4	7
4	3270.1.26	Front Cover	1	93
5	3278.1.29	Dust-proof Cover	1	9
6	272.1.23	Bearing 6201	1	246
7	3311.1.54	Circlips for Hole Ø32	1	7
8	3300.1.10	Big Gear	1	280
9	3273.1.11	0810 Bearing	1	48
10	3253.1.25	Self-lock Melt	1	9
11	3224.1.78	Screw ST4x25	4	7
12	3385.1.10	Gear Housing	1	235
13	3310.1.51	Self-lock Spring	1	9
14	3523.1.26	Self-lock Cap	1	7
15	3431.1.66	O Ring	1	24
16	272.1.04	Bearing 608	1	257
17	3241.1.13	Nut M6	1	7
18	3300.1.11	Small Gear	1	142
19	3311.1.56	Guide Ring	1	69
20	3431.1.67	O Ring	1	7
21	3830.3.69	Armature	1	585
21	3830.3.59	Armature Assy (110 V)	1	702
22	3278.1.30	Dust-proof Circle	1	9
23	272.1.82	Bearing 607	1	335
24	3348.1.53	Bearing Holder	1	69
25	3254.1.02	Wind Fender	1	15
26	3820.3.69	Field Assy	1	425
26	3820.3.59	Field Assy 110 V	1	510
27	3360.1.74	Cable Guard	1	19
28	3290.1.04	Cable	1	212
29	3224.1.79	Tapping Screw ST4x14	1	7
30	3278.1.31	Rear Cover	1	118
31	3330.1.40	Switch	1	80
32	3224.1.79	Tapping Screw ST4x14	1	7
33	3279.1.34	Cable Clamp	1	7
34	3310.1.37	Coil Spring	1	9
35	3251.9.38	Carbon Brush	1 PAIR	69

Drg. No.	Part No.	Description	Qty./Tool	Price (₹)
36	3224.1.80	Tapping Screw ST3x8	1	7
37	3252.1.28	Brush Holder	1	142
38	3385.1.11	Housing	1	235
39	3409.1.12	Upper Flange	1	37
40	3409.1.13	Lower Flange	1	37
41	3399.1.29	Spanner	1	19
42	3274.1.28	Push Block	1	9
43	3274.1.29	Pushover Bar	1	9
44	3310.1.38	Spring	1	7
45	3329.1.59	Side Handle	1	37

SPARES ▶

MODEL : AG100

100mm Light Weight Angle Grinder 1020 W (Double Insulated)



MODEL : AG100

◀ SPARES

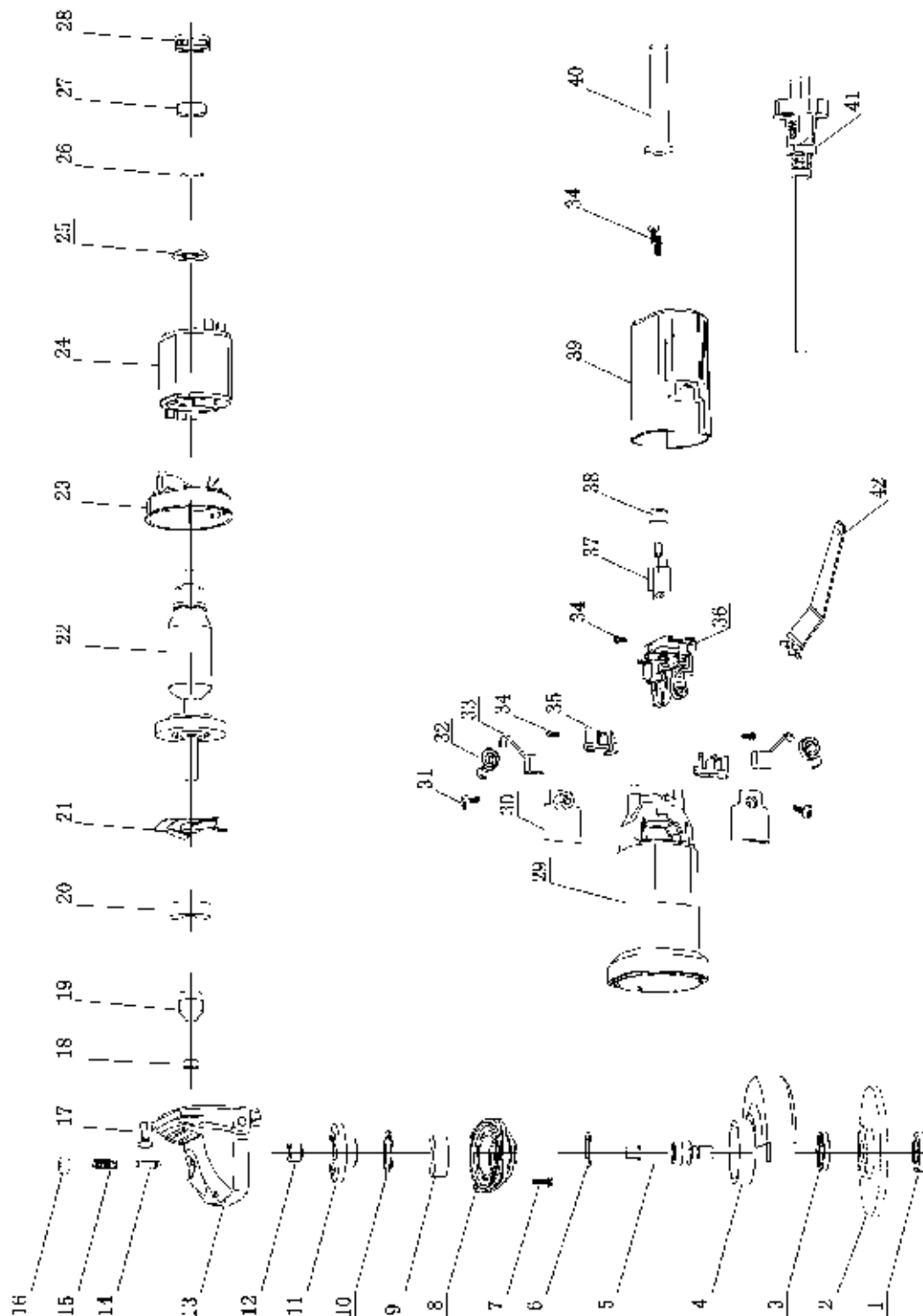
100mm Light Weight Angle Grinder 1020 W (Double Insulated)

Drg. No.	Part No.	Description	Qty./Tool	Price (₹)
1	3230.1.57	Wheel Nut (AG115)	1	46
1	3230.1.50	Wheel Nut (AG100 - Outer Flange)	1	38
2	3233.1.09	Wheel Flange (AG115) Inner	1	38
2	3233.1.08	Wheel Flange Inner	1	38
3	3332.1.07	Wheel Guard (AG115)	1	193
3	3332.1.06	Wheel Guard	1	156
4	3230.1.58	Lock Washer of W/guard (AG115)	1	29
4	3230.1.51	Lock Washer of W/guard (AG100)	1	29
5	3230.1.52	Washer	1	59
6	3270.1.09	Dust proof Cover	1	16
7	3291.1.12	Spindle for AG-115	1	193
7	3291.1.10	Spindle	1	170
8	3220.1.14	Screw	4	23
9	3270.1.10	Cover Plate	1	275
10	3230.1.53	Felt Washer	1	23
11	272.1.23	Bearing 6201 ZZ	1	246
12	3348.1.09	Bearing Retainer	1	23
13	3220.1.15	Screw	3	16
14	3366.1.09	Gear	1	397
15	3230.1.54	Washer	1	16
16	3223.1.02	Lock Pin	1	16
17	3273.1.07	NRB -81210	1	95
18	3224.1.16	Screw	4	16
19	3310.1.10	Lock Spring	1	8
20	3500.1.53	Lock Cap	1	16
22	3230.1.55	Washer	1	29
23	3604.1.08	Nut M6	1	16
24	3306.1.10	Pinion	1	192
25	272.1.04	Bearing 606 ZZ	1	257
26	3348.1.10	Bearing Retainer	1	89
27	3830.3.13	Armature	1	831
27	3830.3.37	Armature 115v	1	996
28	3230.1.56	Washer	1	16
29	272.1.82	Bearing 607 ZZ	1	335
30	3500.1.54	Bearing Sleeve	1	76
31	3344.1.05	Baffle Plate	1	89
32	3432.1.02	Screw	2	16
33	3820.3.13	Field	1	737
33	3820.3.37	Field 115V	1	884
34	3330.1.11	Switch	1	170
35	3500.1.55	Lock Button	1	16

Drg. No.	Part No.	Description	Qty./Tool	Price (₹)
36	3252.1.09	Brush Holder	2	148
39	3270.1.11	Rear Cover	1	305
41	3224.1.17	Screw	2	16
42	3310.1.11	Spring	1	16
43	3251.9.08A	Carbon Brush	1 PAIR	110
44	3500.1.56	Slide Button	1	23
45	3260.1.10	Motor Frame	1	666
46	3224.1.18	Screw	2	16
47	3279.1.02	Cable Cleat	1	46
48	3500.1.57	Sliding Switch Lever	1	38
49	3310.1.12	Spring	1	16
50	3360.1.04	Cable Sleeve	1	46
52	3224.1.19	Screw	1	16
53	3399.1.09	Spanner	1	59
14 & 24	3306.3.10	Gear & Pinion Assembly	1	546
16,17,19, 20,21	3265.3.08	Gear Box Assy 16 ,17	1	888

SPARES ▶

MODEL : RG8-100
100mm Angle Grinder



MODEL : RG8-100
100mm Angle Grinder

◀ SPARES

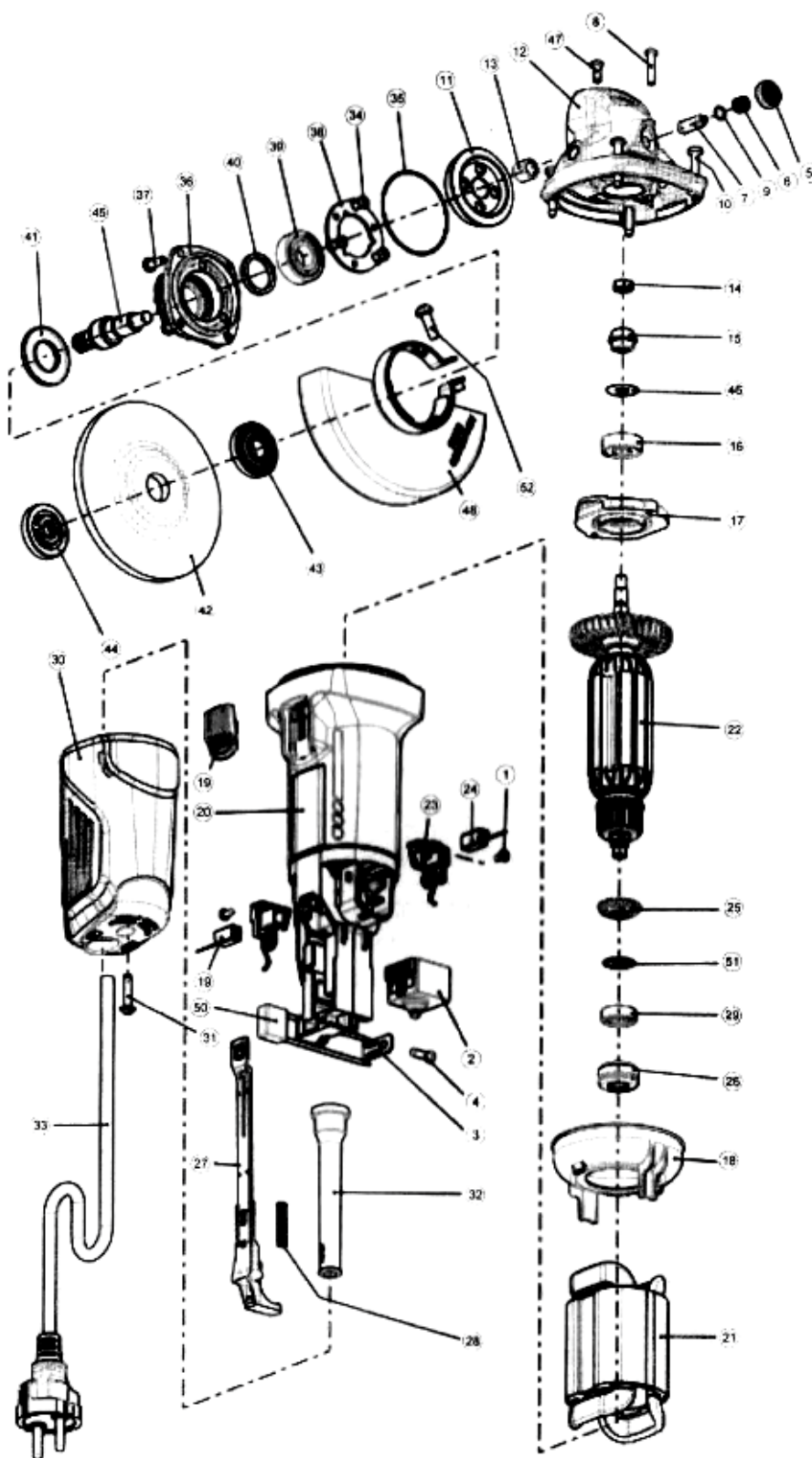
Drq. No.	Part No.	Description	Qty./Tool	Price (₹)
1	3409.1.36	Outer Flange	1	32
2	3340.1.17	Wheel	1	32
3	3409.1.37	Inner Flange	1	32
4	3332.1.33	Wheel Guard	1	95
5	3290.1.15	Output Shaft	1	84
6	3232.1.28	Wahser	1	4
7	3226.1.31	Screw	4	4
8	3270.1.42	G/box Cover	1	84
9	272.1.23	Bearing (6201zz)	1	246
10	3311.1.91	Inside Calliper	1	4
11	3300.1.50	Gear	1	232
12	3273.1.13	Needle Bearing Hk0810	1	21
13	3265.1.33	Gear Box	1	210
14	3501.1.86	Selflock Pin	1	11
15	3310.2.11	Selflock Spring	1	11
16	3502.1.39	Selflock Cap	1	11
17	3226.1.32	Screw	4	4
18	3604.1.58	M6 Nut	4	4
19	3300.1.51	Pinion	1	67
20	272.1.04	Bearing (608zz)	1	257
21	3312.1.24	Bearing Cap	1	27
22	3831.3.15	Armature (235V)	1	646
22	3831.3.65	Armature (110V)	1	775
23	3344.1.26	Baffle	1	17
24	3821.3.15	Field (235V)	1	485
24	3821.3.65	Field (110V)	1	582
25	3505.1.06	Dust Seal	1	32
26	3232.1.29	Washer	1	4
27	272.1.82	Bearing (607zz)	1	335
28	3505.1.07	Bearing Sleeve	1	17
29	3260.1.51	Housing	1	200
30	3253.1.42	Brush Cap	2	105
31	3226.1.33	Screw	2	6
32	3310.2.12	Coil Spring	2	6
33	3251.9.65	Carbon Brush	1 Pair	59
34	3226.1.34	Screw	5	6
35	3252.1.55	Brush Holder	2	17
36	3506.1.17	Cable Presing Plate	1	32
37	3330.1.71	Switch	1	74
38	3506.1.18	Sleeve	1	4
39	3506.1.19	Back Cap	1	74

Drq. No.	Part No.	Description	Qty./Tool	Price (₹)
40	3361.1.06	Sleeve	1	11
41	290.46	Cable Sleeve	1	147
42	3399.1.39	Spanner	1	32

SPARES ▶

MODEL : 45100

100mm Industrial Angle Grinder 850W (Double Insulated)





MODEL : 45100

◀ SPARES

100mm Industrial Angle Grinder 850W (Double Insulated)

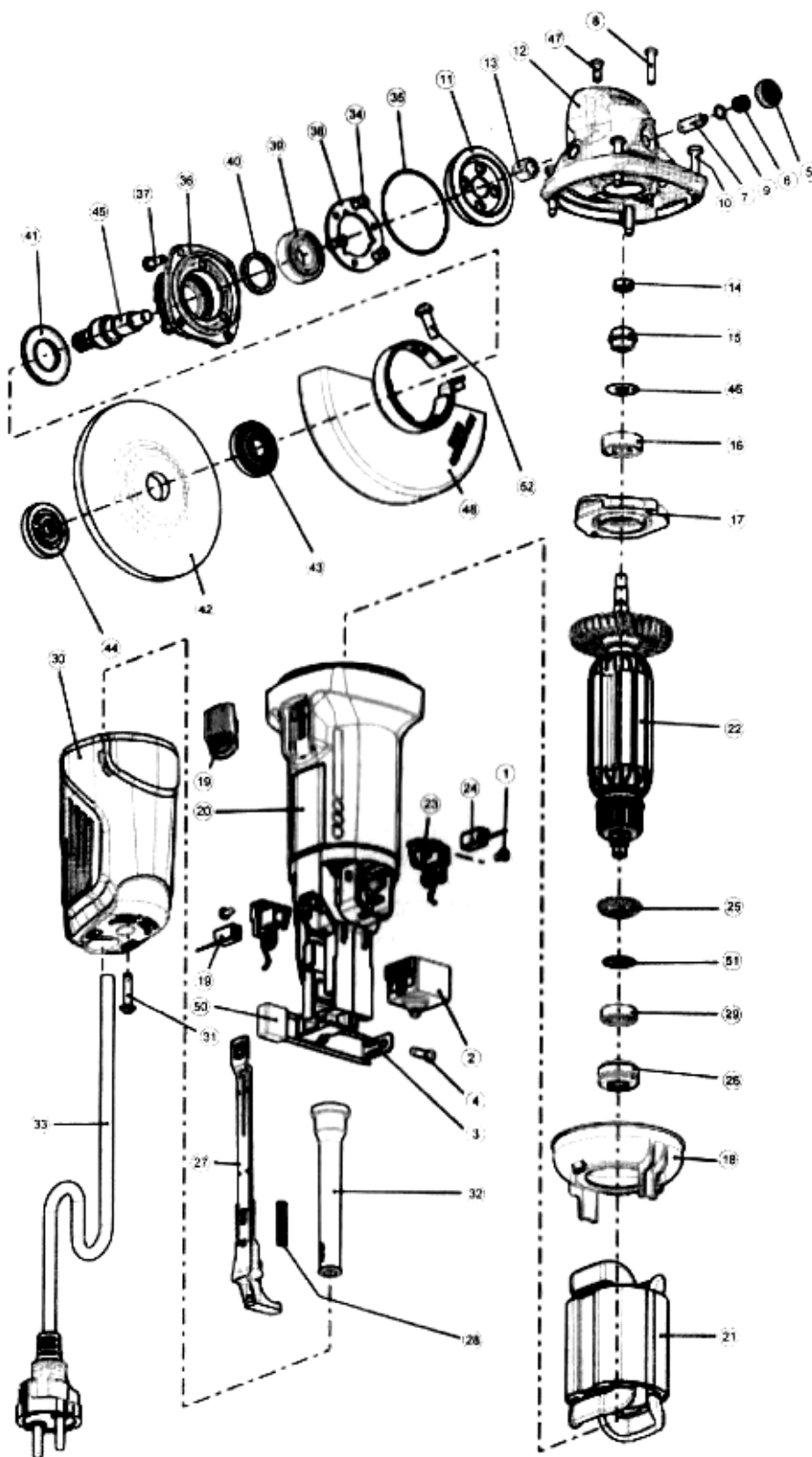
Drg. No.	Part No.	Description	Qty./Tool	Price (₹)
1	3220.1.86	Pan Hd Tap Screw	2	7
2	3510.1.78	Push Button Switch(220v),/ Swich	1	168
3	3279.1.11	Cord Clip Cable Clamp	1	46
4	3220.1.89	Pan HD M/c S And SW M4*12, Screq	4	7
5	3510.1.80	Push Button	1	7
6	3310.1.27	Spring,	1	15
7	3323.1.04	Lock Pin	1	43
8	3220.1.87	Pan Hd M/C S And Sw M4*18 Screw	1	15
9	3311.1.59	Circlip	1	16
10	3220.1.85	Pan Hd Tap M4*25 Argent Screw	4	7
12	3278.1.10	Gear Cover(silver)/ Gear Box Cover	1	522
14	3249.1.08	Hex Nut,	1	15
17	3327.1.11	Bearing Cover	1	100
18	3270.1.15	Fan Guide Baffle Plate	1	49
19	3510.1.81	S/w Knob (black),	1	22
20	3260.1.17	Motor Frame	1	381
21	3820.3.19	Stator Assy, 220v, Field Coil	1	725
21	3820.3.44	Stator Assy, 220v, Field Coil 115V	1	868
22	3830.3.19	Armature Assy.	1	1,153
22	3830.3.44	Armature Assy. 115v	1	1,383
23	3252.3.16	Brush Holder Assy	2	78
25	3327.1.14	Dust Cover	1	27
26	3431.1.32	Rubber packing,/bearing retainer rubber	1	27
27	3500.3.07	Switch Rod Assy	1	27
30	3278.1.11	Tail Cover,	1	163
31	3220.1.90	Pan HD Tap S & Pw M4*20, A43 Screw	1	7
32	3360.1.10	Cord Armor/ Cable Sleeve	1	27
33	3500.3.08	Cord Assy / Cable Assy	1	394
34	3220.1.88	Pan Hd M/c Screw M4*10, Screw	4	15
35	3431.1.32 A	O-ring©,	1	15
36	3265.1.11	Packing Gland, act-100m / Cover Plate	1	310
37	3220.1.91	Pan Hd T/T-B M4*12, Screw	1	15
38	3327.1.12	Bearing Cover(B),	1	22
40	3510.1.79	Felt Packing,	1	15
41	3230.1.86	Fringer,	1	15
43	3230.1.87	Wheel Washer/ Inner Flange	1	141
44	3249.1.07	Wheel Nut /(outor Flange)	1	366
45	3291.1.17	Spindle	1	401
48	3332.3.12	Wheel Guard Assy	1	337
51	3327.1.13	Dust Seal,	1	15
52	3399.1.13	Wrench, /spanner Wheel	1	154

Drg. No.	Part No.	Description	Qty./Tool	Price (₹)
53	3313.1.05	Plate,	1	15
54	3329.1.23	Side Handle	1	1,020
11,15	3306.3.17	Gear & Pinion Assy. 17&18	1	737
24,49	3251.9.16 A	Carbon Brush (Auto, Schunk, L13.5),	1 Pair	162
5,6,7,9,12	3278.3.10	Gear Box Assly	1	662

SPARES ►

MODEL : 45125H

125mm Industrial Angle Grinder 850W (Double Insulated)



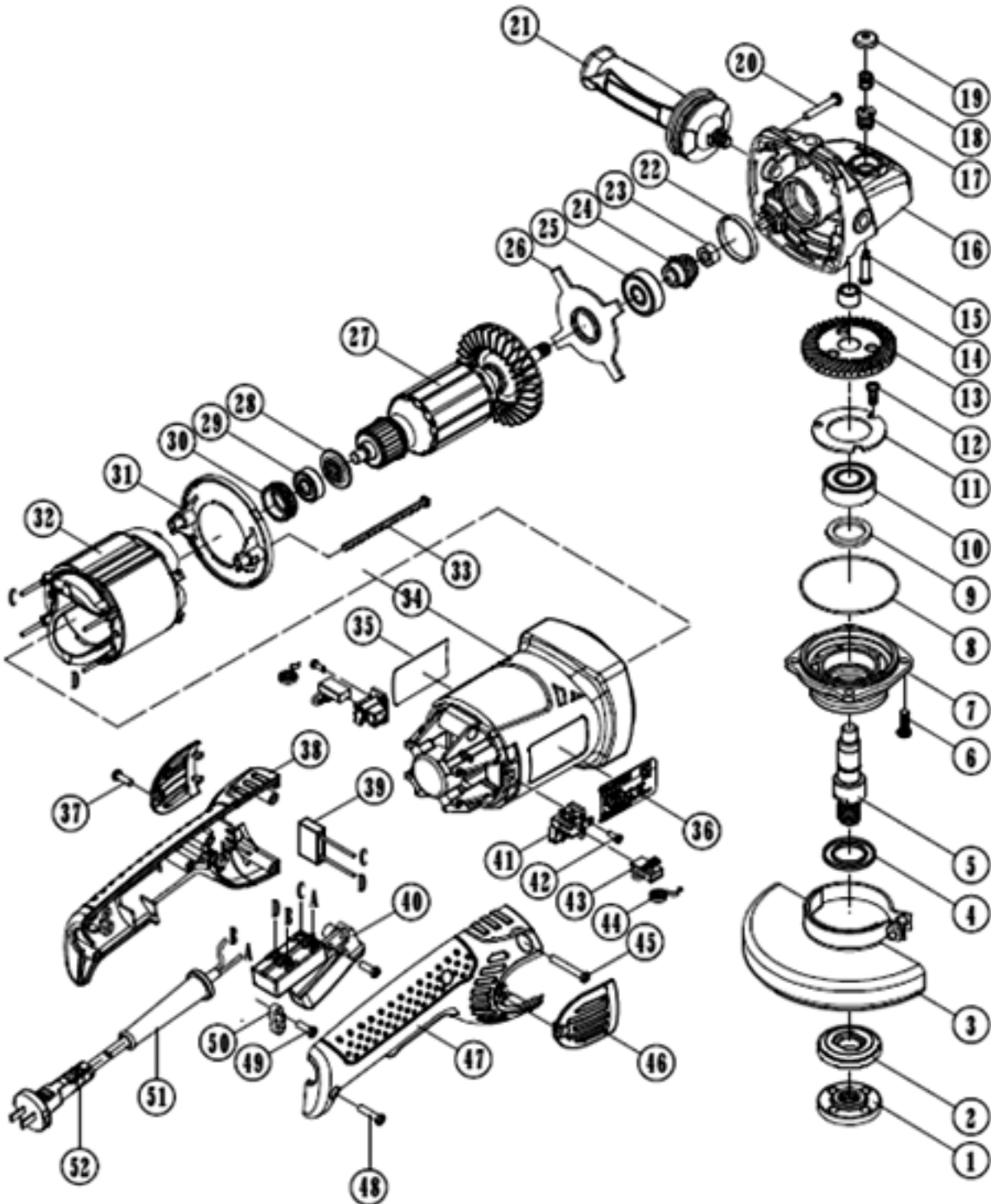
MODEL : 45125H

125mm Industrial Angle Grinder 850W (Double Insulated)

Drg. No.	Part No.	Description	Qnty./Tool	Price (₹)
1	3220.1.86	Pan HD Tap Screw	2	7
2	3510.1.78	Push Button Switch (220v), /Switch	1	168
2	3360.1.10	Cord Armor/ Cable Sleeve	1	27
3	3279.1.11	Cord Clip / Cable Clamp	1	46
4	3220.1.89	Pan Hd M/CS and SW M4*12, Screw	4	7
5	3510.1.80	Push Button	1	7
6	3310.1.27	Spring,	1	15
7	3323.1.04	Lock Pin	1	43
8	3220.1.87	Pan Hd M/c S and SW M4*18 Screw	1	15
10	3220.1.85	Pan HD Tap M4*25 Argent Screw	4	7
12	3278.1.10	Gear Cover (silver)	1	522
14	3249.1.08	Hex Nut,	1	15
17	3327.1.11	Bearing Cover	1	100
18	3270.1.15	Fan Guide / baffle Plate	1	49
19	3510.1.81	S/w Knob (black),	1	22
20	3260.1.17	Housing (red), Motor Frame	1	381
21	3820.3.19	Stator Assy, 220v,	1	725
22	3830.3.19	Armature Assy.	1	1,153
23	3252.3.16	Brush Holder Assy	2	78
25	3327.1.14	Dust Cover	1	27
26	3431.1.32	Rubber Packing, / bearing Retainer Rubber	1	27
27	3500.3.07	Switch Rod Assy	1	27
30	3278.1.11	Tail Cover,	1	163
31	3220.1.90	Pan HD Tap S and PW M4*20, A43 Screw	1	7
33	3500.3.08	Cord Assy /cable Assly	1	394
34	3220.1.88	Pan Hd M/c Screw M4*10, Screw	4	15
35	3431.1.32 A	O-ring (C),	1	15
36	3265.1.11	Cover Palte,act-100m	1	310
37	3220.1.91	Pan Hd T/t-b M4*12, Screw	1	15
38	3327.1.12	Bearing Cover(b),	1	22
40	3510.1.79	Felt Packing,	1	15
41	3230.1.86	Fringer,	1	15
43	3230.1.46 A	Wheel Washer For 115/ 125mm Inner Flange	1	135
44	3249.1.10	Wheel Nut For 115/125mm/ Outor Flange	1	369
45	3291.1.21	Spindle For 115/125mm	1	403
46	3313.1.05	Plate,	1	15
48	3332.3.14	Wheel Guard Assy For 125mm	1	403
51	3327.1.13	Dust Seal,	1	15
52	3399.1.13	Wrench/, Wheel Spanner	1	154
54	3329.1.23	Side Handle	1	1,020
11,15	3306.3.17	Gear & Pinion Assy.	1	737
24,49	3251.9.16 A	Carbon Brush(auto, Schunk,I13.5),	1 PAIR	162

SPARES ▶

MODEL : 35135
125mm Light Duty Angle Grinder



MODEL : 35135

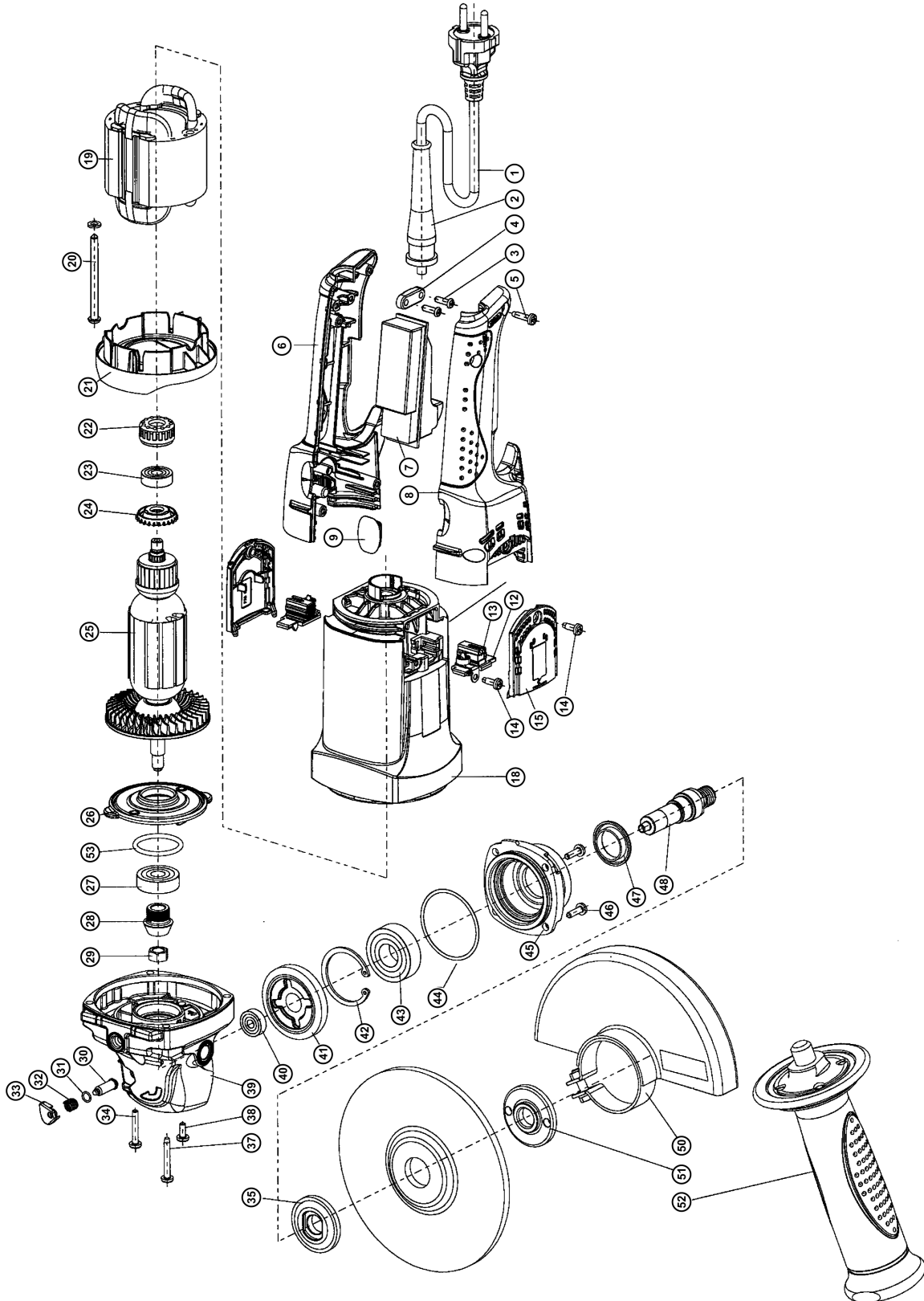
125mm Light Duty Angle Grinder

Drg. No.	Part No.	Description	Qty./Tool	Price (₹)
1	3232.1.06	Lock Washer	1	48
2	3236.1.02	Inner Washer	1	43
3	3332.1.19	Wheel Guard	1	97
4	3236.1.03	Dustproof Cover	1	8
5	3291.1.31	Spindle	1	91
7	3365.1.12	Front Cover	1	105
8	3431.1.52	O-ring	1	13
9	3431.1.53	Wool Ring	1	43
10	272.1.43	Bearing 6202	1	449
11	3312.1.09	Bearing Cover	1	18
13	3300.1.19	Big Gear	1	330
14	3273.1.14	Roller Bearing (hk 1010)	1	50
15	3501.1.45	Lockless Pin	1	8
16	3265.1.17	Gear Box	1	360
17	3501.1.46	Pin Sleeve	1	29
19	3501.1.47	Lockless Cap	1	21
21	3329.1.64	Side Handle	1	34
22	3311.1.67	Rectangular Ring	1	43
24	3291.1.32	Pinion	1	164
26	3312.1.10	Bearing Covr	1	62
27	3830.3.76	Armature 220v	1	1,131
27	3830.3.86	Armature 115v	1	1,356
28	3501.1.48	Guide Plate	1	21
29	272.1.04	Bearing 608	1	257
30	3501.1.49	Bearing Sleeve	1	43
31	3344.1.15	Baffle Plate	1	29
32	3820.3.76	Field 220v	1	881
32	3820.3.86	Field 115v	1	1,058
34	3260.1.34	Motor Housing	1	595
38	3278.1.42	Left Handle Cover	1	127
40	3330.1.49	Switch	1	275
41	3252.1.36	Carbon Brush Holder	2	105
43	3251.9.45	Carbon Brush	1 Pair	148
44	3310.1.57	Spring	2	43
46	3253.1.28	Carbon Brush Cap	2	13
47	3278.1.43	Right Handle	1	127
50	3279.1.39	Cable Clip	1	3
51	3360.1.82	Cable Sleeve	1	6
52	3291.1.33	Cable	1	212

SPARES ▶

MODEL : 55125

125mm Industrial Angle Grinder 850W (Double Insulated)





MODEL : 55125

125mm Industrial Angle Grinder 850W (Double Insulated)

◀ SPARES

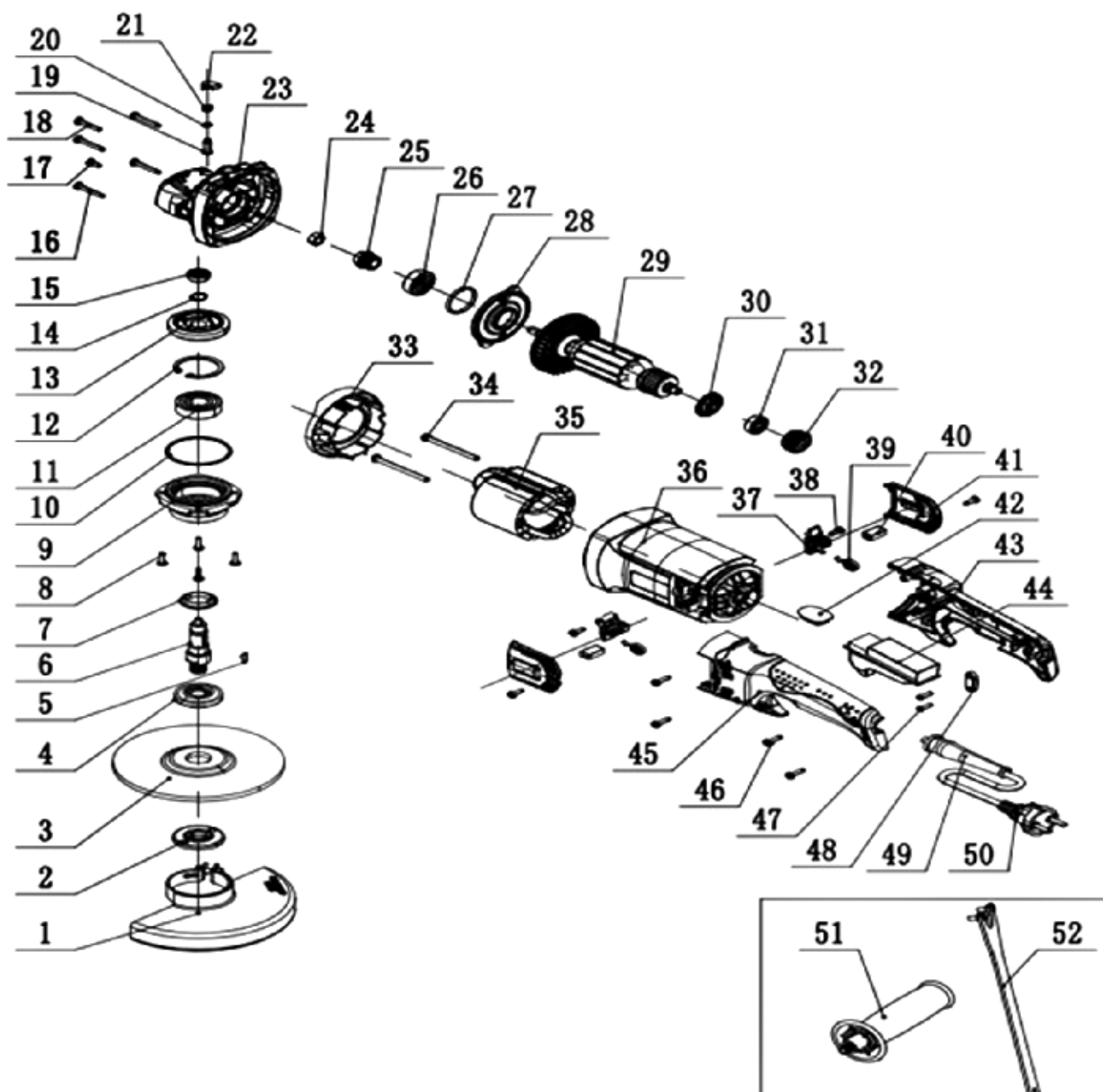
Drg. No.	Part No.	Description	Qty./ Tool	Price (₹)
1	3860.3.01	Cord Assy	1	935
2	3860.3.02	Cord Armor /cable Sleeve	1	38
3	3602.1.10	Hex Hd Bolt,	1	49
4	3861.1.01	Cable Clamp	1	8
6	3329.1.51	Handle(a) Right	1	341
7	3501.1.15	Trig.switch	1	713
8	3329.1.52	Handle (B) Left	1	341
9	3329.1.53	Handle Cap	2	30
10	3251.9.33	Carbon Brush	1 Pair	273
12	3252.1.25	Brush Holder Assy,	2	150
15	3253.1.22	Brush Cap / Inspection Cover	2	53
18	3385.1.05	Housing/ Motor Frame	1	758
19	3820.3.63	Stator Assy, Field Coil	1	1,555
19	3820.3.53	Stator Assy, Field Coil 115V	1	1,866
20	3324.1.16	Field Screw 5x65	2	19
21	3326.1.07	Fan Guide / Baffle Pate	1	93
22	2360.1.01	Rubber packing/ bearing retainer rubber	1	30
23	272.1.04	Ball Bearing (608 ZZ)	1	257
24	3327.1.19	Dust Cover	1	19
25	3830.3.63	Armature Assy	1	2,424
25	3830.3.53	Armature Assy 115V	1	2,910
26	3312.1.05	Bearing Cover	1	188
27	272.1.22	Ball Bearing, (6200 ZZ)	1	318
28	3306.1.44	Pinion,	1	486
29	3604.1.35	Hex Nut/ Nylon Nut	1	8
30	3501.1.16	Lock Pin	1	53
32	3310.1.36	Spring	1	8
33	3501.1.17	Push Button,	1	38
34	3324.1.17	Pan HD M/C S and Screw M5x25	1	8
35	3231.1.48	Wheel Washer (D14, D22.2)	1	127
37	3324.1.18	Pan HD T/T-S Screw M5x33,	4	8
38	3324.1.19	Pan HD M/C S and Sw M5*10 Screw	1	7
39	3327.1.20	Gear Box Cover	1	1,116
40	272.1.21	Ball Bearing,(626 ZZ	1	258
41	3306.1.45	Gear,	1	789
42	3431.1.59	Circlip	1	23
43	272.1.65	Ball Bearing 6203 ZZ	1	309
44	3431.1.60	O-ring	1	30
45	3432.1.06	Packing Gland /cover Plate	1	531
46	3324.1.20	Pan HD M/C T/T-s and SW & PW M5*14 Screw	1	8

Drg. No.	Part No.	Description	Qty./ Tool	Price (₹)
47	3501.1.18	Fringer	1	19
48	3291.1.26	Spindle	1	607
50	3332.1.16	Wheel Guard Assy,	1	485
51	3604.1.36	Wheel Nut, Outor Flange	1	298
52	3329.1.54	Side Handle	1	561
53	3431.1.61	O-ring (A)	1	38
54	3324.1.21	+Pan HD Tap Screw M4*14	4	7
55	3324.1.22	+Pan HD Tap S and PW M4*20	4	7
39,03,32,33	3327.3.20	Gear Box Assly	1	1,213
	3501.1.19	Wrench, Spanner	1	214

SPARES ▶

MODEL : 55145

125mm Industrial Angle Grinder 850W (Double Insulated)



MODEL : 55145

◀ SPARES

125mm Industrial Angle Grinder 850W (Double Insulated)

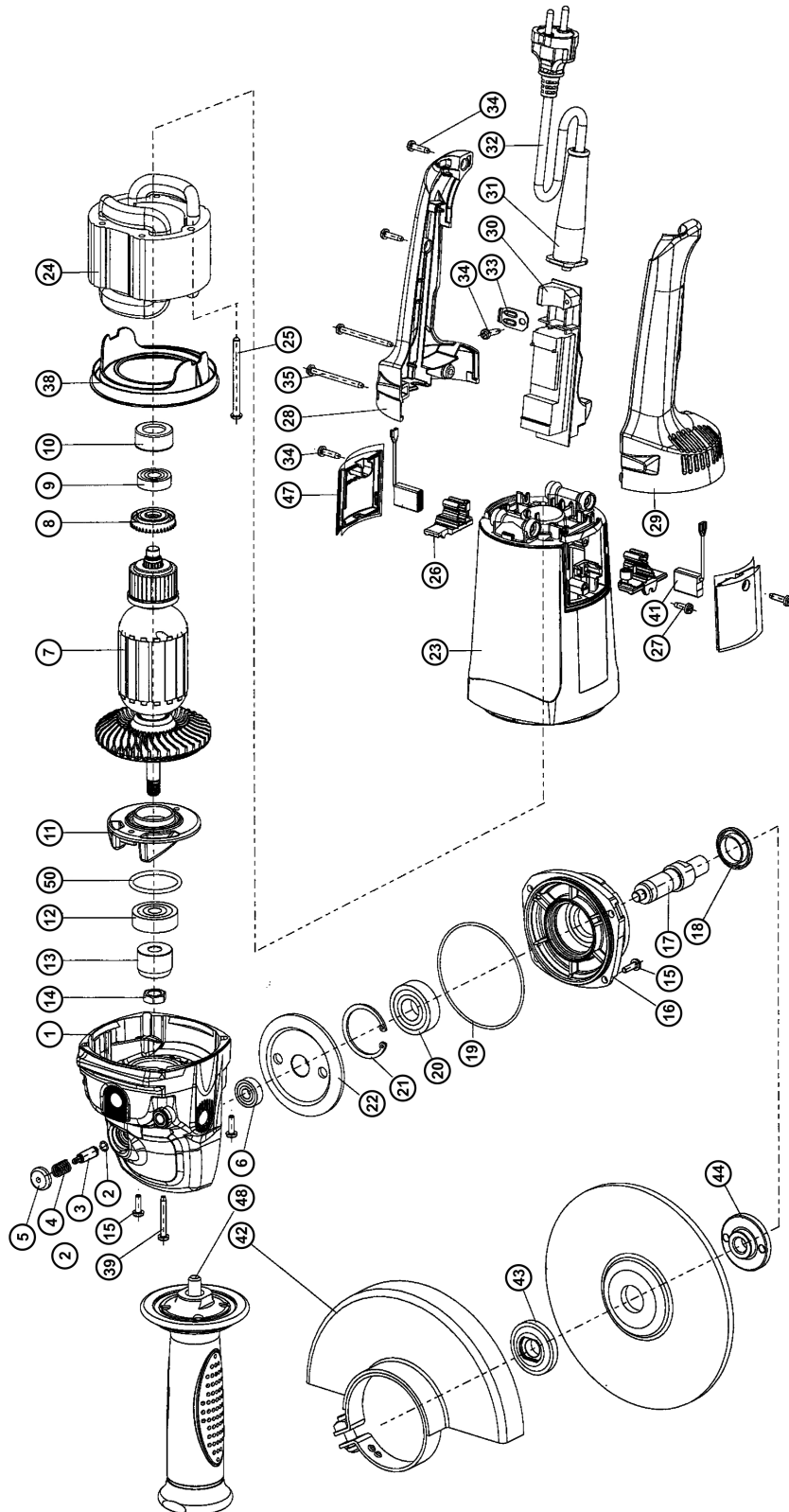
Drg. No.	Part No.	Description	Qty./ Tool	Price (₹)
1	3332.1.20	Wheel Guard	1	160
2	3409.1.19	Inner Flange	1	114
3	3340.1.03	Grinding Wheel	1	100
4	3409.1.18	Outer Flange	1	90
5	3275.1.06	Wood Ruff Key 4x13	1	36
6	3291.1.36A	Spindle	1	181
7	3623.1.06	Dustproof Cover	1	36
8	3224.1.62	Screw M5*16	4	6
9	3623.1.05	Front Cover	1	205
10	3431.1.76	"o" Ring Ø2*Ø49.5	1	24
11	272.1.65	Bearing 6203	1	294
12	3311.1.68	Hole Wing Ø 40 / Circlip	1	15
13	3300.1.26	Big Gear	1	542
14	3311.1.06	Circlip Ø15	1	23
15	272.1.21	Ball Bearing 626	1	258
16	3224.1.59	Screw St5*35	4	6
17	3224.1.61	Screw M5*10	1	24
18	3224.1.60	Screw M5*25	1	24
19	3501.1.50	Self-lock Pin	1	24
20	3431.1.75	"o"ring Ø1*Ø5.8	1	9
21	3310.1.59	Self-lock Spring	1	24
22	3253.1.29	Self-lock Cap	1	15
23	3265.1.18	Gear Box	1	542
24	3224.1.58	M8 Nut	1	24
25	3306.1.48	Pinion	1	295
26	272.1.22	Ball Bearing 6200	1	303
27	3431.1.74	"o" Ring Ø1*Ø33	1	9
28	3623.1.04	Middle Cover	1	181
29	3830.3.77	Armature 235v	1	1443
29	3830.3.87	Armature 110v	1	1733
30	3327.1.26	Dust Seal	1	42
31	272.1.04	Ball Bearing 608	1	257
32	3312.1.11	Bearing Cover	1	90
33	3326.1.13	Baffle Plate	1	24
34	3224.1.57	Screw St5*65	2	12
35	3820.3.77	Field 235v	1	1262
35	3820.3.87	Field 110v	1	1515
36	3260.1.35	Motor Frame	1	542
37	3252.1.37	Brush Holder	2	90
38	3224.1.56	Screw St4*12	2	12
39	3310.1.58	Coil Spring	2	23

Drg. No.	Part No.	Description	Qty./ Tool	Price (₹)
40	3251.9.46	Carbon Brush	1 Pair	260
41	3623.1.03	Side Cover	2	12
42	3278.1.44	Handle Cover	1	24
43	3329.1.65	Right Handle	1	135
44	3330.1.50	Switch	1	226
45	3329.1.66	Left Handle	1	135
46	3224.1.55	Screw St4*19	4	6
47	3224.1.54	Screw St4*16	2	12
48	3279.1.40	Cable Clamp	1	15
49	3403.1.03	Cable Sleeve	1	26
50	3403.1.02	Cable	1	384
51	3329.1.67	Side Handle	1	169
52	3399.1.33	Wrench / Spanner	1	111
38	3300.1.20	Big Gear Old Type	1	542
45	3291.1.34	Spindle Old Type	1	181

SPARES ▶

MODEL : 55180

100mm Industrial Angle Grinder 850W (Double Insulated)



MODEL : 55180

100mm Industrial Angle Grinder 850W (Double Insulated)

◀ SPARES

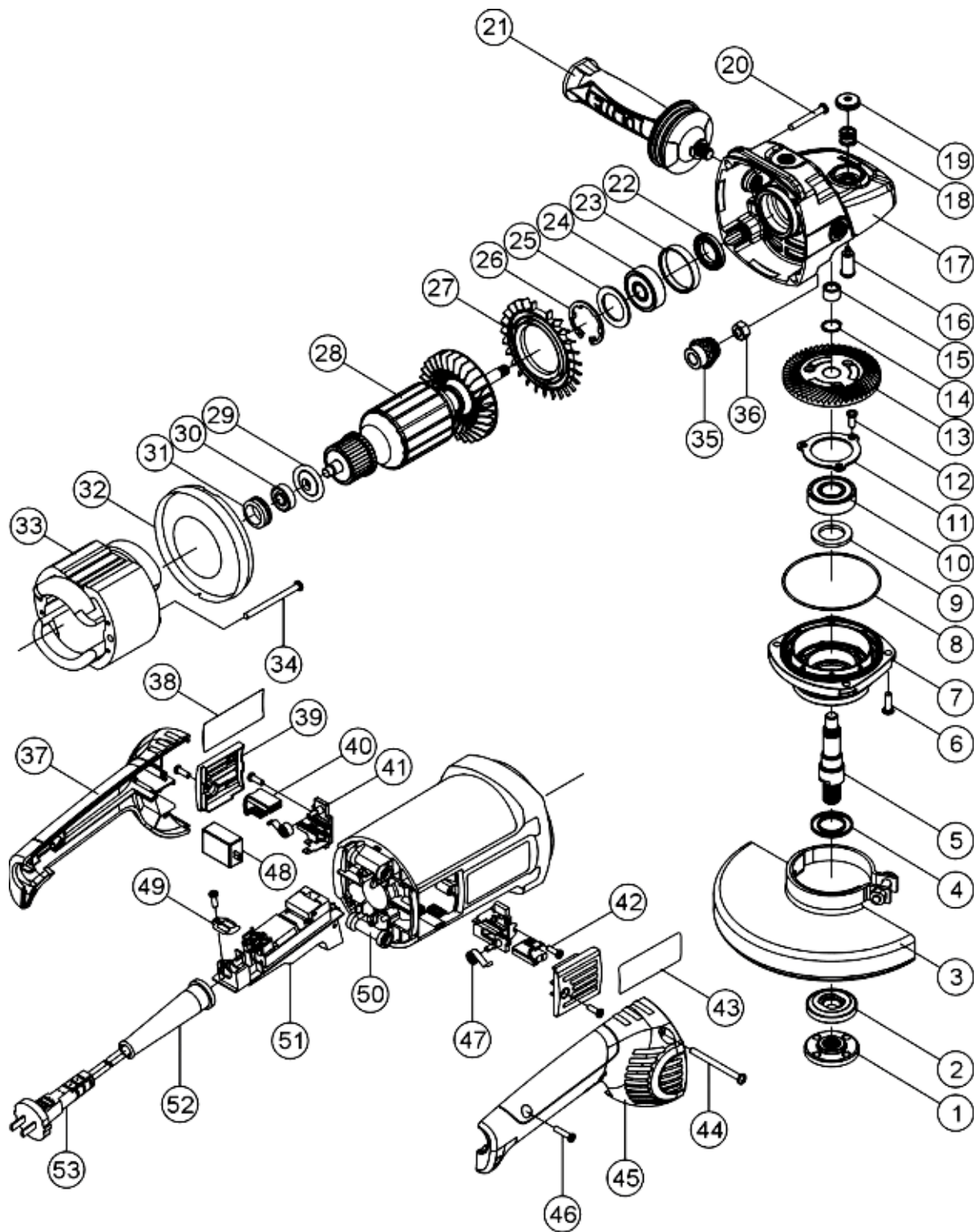
Drg. No.	Part No.	Description	Qty./ Tool	Price (₹)
1	3327.1.21	Gear Box Cover	1	1,569
2	3431.1.62	O-ring(b)	1	8
3	3501.1.20	Lock Pin	1	53
4	3310.1.49	Lock Spring	1	8
5	3501.1.24	Cap	1	16
6	272.1.04	Ball Bearing (608 Zz)	1	257
7	3830.3.66	Armature Assy (new) 2200 Walts	1	3,637
7	3830.3.56	Armature Assy (new) 2200 Walts 115v	1	4,365
8	3327.1.22	Dust Cover	1	42
9	272.1.96	Ball Bearing (6000 Zz)	1	188
10	3432.1.07	Rubber Packing Bearing Retainer Rubber	1	61
11	3312.1.06	Bearing Cover	1	173
12	272.1.98	Ball Bearing (6300 Zz)	1	207
13	3306.1.46	Pinion	1	420
14	3604.1.37	Hex Nut / Nylon Nut	1	35
15	3324.1.23	Pan Hd M/c T/t-s M5*14, Screw	6	13
16	3432.1.08	Packing Gland Cover Plate	1	523
17	3291.1.27	Spindle	1	749
18	3501.1.21	Fringer	1	61
19	3431.1.63	O-ring(a),	1	30
20	272.1..65	Ball Bearing 6203 2rs	1	298
21	3431.1.64	C Ring/ Circlip	1	23
22	3306.1.47	Gear	1	1,177
23	3385.1.06	Motor Frame Housing	1	1,120
24	3820.3.66	Field Assy (new) 2200 Walts	1	2,263
24	3820.3.56	Field Assy, (new) 2200 Walts 115v	1	2,716
25	3324.1.24	Pan Hd Tap S And Sw Field Screw	2	23
26	3252.3.26	Brush Holder Assy	2	449
27	3324.1.25	Pan Hd T/t-b M4*12, Screw	4	7
28	3329.1.55	Handle(b) Right	1	373
29	3329.1.56	Handle(a) Left	1	370
30	3501.1.22	Trig.switch	1	713
31	3860.1.03	Cord Armor /cable Sleeve	1	35
32	3860.1.04	Cable Assly /cord Assy	1	979
33	3861.1.02	Cord Clip /cable Clamp	1	16
34	3324.1.26	Pan Hd Tap Screw M4*16 Screw	1	7
35	3324.1.27	Pan Hd Tap S Pw M4*18 Screw	2	7
38	3326.1.08	Fan Guide /baffle Palte	1	110
39	3324.1.28	Pan Hd T/t-s M5*33, Screw	4	8
42	3332.1.17	Wheel Guard Assy,	1	561
43	3231.1.07 A	Wheel Washer Inner Flange	1	127

Drg. No.	Part No.	Description	Qty./ Tool	Price (₹)
44	3604.1.36	Wheel Nut/ Outor Flange	1	298
47	3253.1.23	Brush Cap /inspection Cover	2	53
48	3329.1.57	Side Handle	1	331
49	3501.1.23	Wheel Spanner (wrench)	1	214
50	3431.1.65	O-ring(31.7) [o-ring(31.7)]	1	30
40 & 41	3251.9.34	Carbon Brush Auto Cut	1 Pair	303
1,2,3,4,5	3327.3.21	Gear Box Assly	1	1,759

SPARES ▶

MODEL : AG180/AG230

180mm / 230mm Heavy Duty Light Weight Angle Grinder (Double Insulated)



MODEL : AG180/AG230

180mm / 230mm Heavy Duty Light Weight Angle Grinder (Double Insulated)

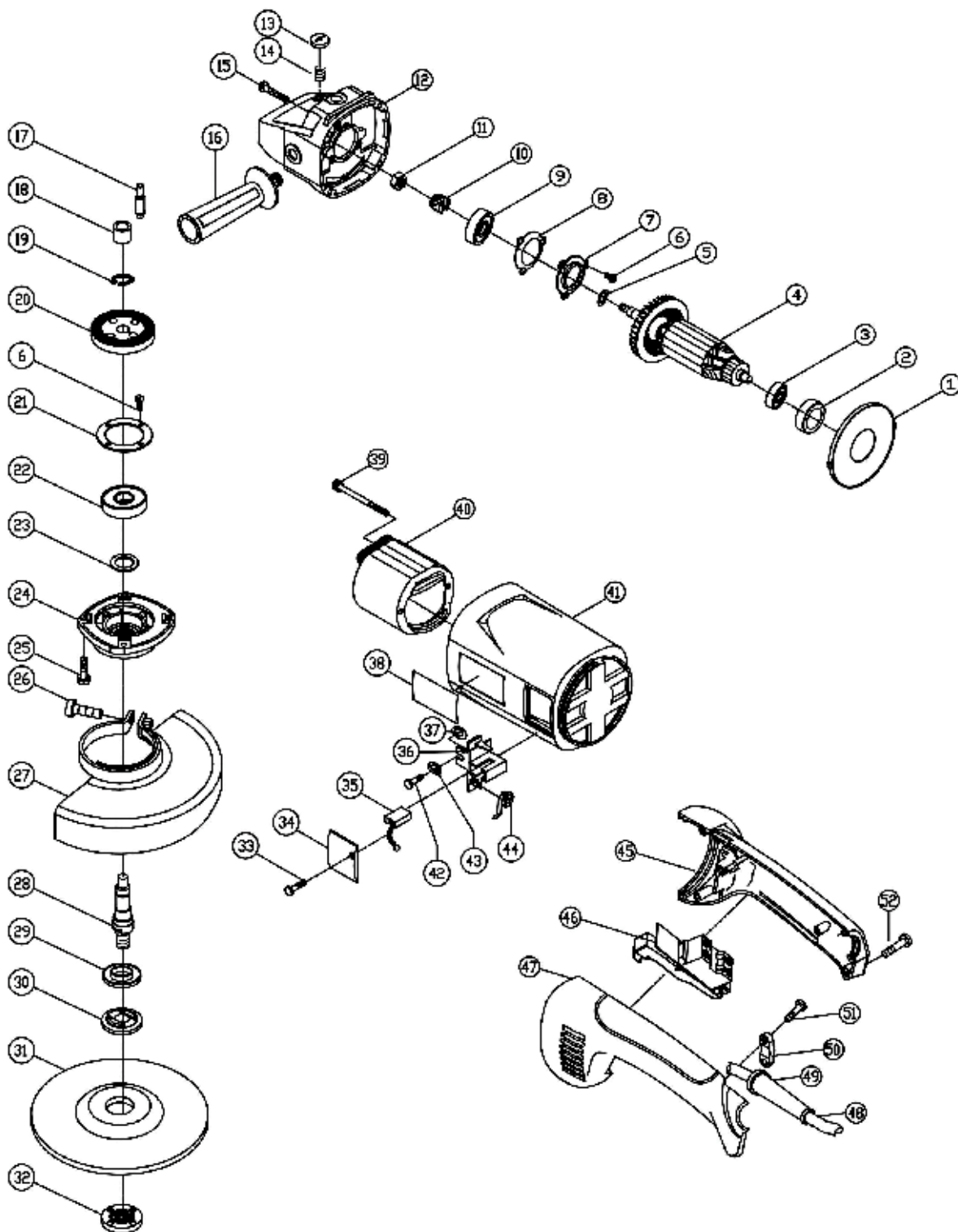
Drg. No.	Part No.	Description	Qty./Tool	Price (₹)
1	3230.1.61	Wheel nut AG230	1	38
2	3230.1.62	Inner flange	1	318
3	3332.1.11	Wheel guard	1	485
4	3327.1.08	Dust proof cover	1	23
5	3291.1.15	Spindle	1	330
6	3220.1.27	Screw	4	16
7	3270.1.12	Cover plate front cover	1	870
8	3431.1.08	O ring	1	38
9	3431.1.09	Wool ring	1	8
10	272.1.65	Bearing 6203	1	294
11	3500.1.61	Bearing cover	1	67
12	3220.1.62	Screw	3	16
14	3231.1.31	Preload washer spring washer	1	8
15	3274.1.04	Bearing NRB	1	65
18	3310.1.05	Lock spring	1	8
19	3510.1.62	Cap	1	27
20	3220.1.63	Screw fiber body ger box to mf	4	29
21	3329.1.14	Side handle	1	414
22	3500.1.63	Wool framework	1	8
23	3500.1.64	Rectangular ring	1	38
24	272.1.12	Bearing 6301	1	180
25	3230.1.63	Washer	1	8
26	3231.1.32	Spring washer	1	8
27	3313.1.03	Baffle plate fiber body	1	104
28	3830.3.15	Armature	1	2,546
28	3830.3.39	Armature 115V	1	3,055
29	3230.1.64	Washer	1	16
30	272.1.04	Bearing 608	1	257
31	3500.1.65	Bearing cover	1	89
32	3313.1.04	Baffle plate motor	1	76
33	3820.3.15 P	Field assy.	1	1,668
33	3820.3.39 F	Field assy. 115V	1	2,002
34	3220.1.64	Field screw	2	41
36	3604.1.09	Nut	1	8
37	3329.1.14	Handle (left)	1	414
40	3251.9.11	Carbon brush (new)	1 PAIR	303
41	3252.1.11	Brush holder	2	245
42	3220.1.31	Screw	2	23
44	3220.1.32	Screw	2	16
45	3339.1.15	Handle (right)	1	414
46	3220.1.33	Screw	2	16

Drg. No.	Part No.	Description	Qty./Tool	Price (₹)
47	3310.1.16	Spring	1	16
49	3279.1.08	Cable cleat	1	16
50	3260.1.12	Motor frame	1	1,229
51	3330.1.13	Switch	1	750
52	3360.1.06	Cable sleeve	1	23
55	3224.1.19	Cable cleate screw	1	16
56	3224.1.18	Screw	2	16
13 & 35	3306.3.11	Gear & pinion assembly	1	1,157
15,16,17, 18,19	3265.3.10	Gear box assembly	1	1,500

SPARES ▶

MODEL : 77180 / 77230

180mm / 230mm Angle Grinder





MODEL : 77180 / 77230

180mm / 230mm Angle Grinder

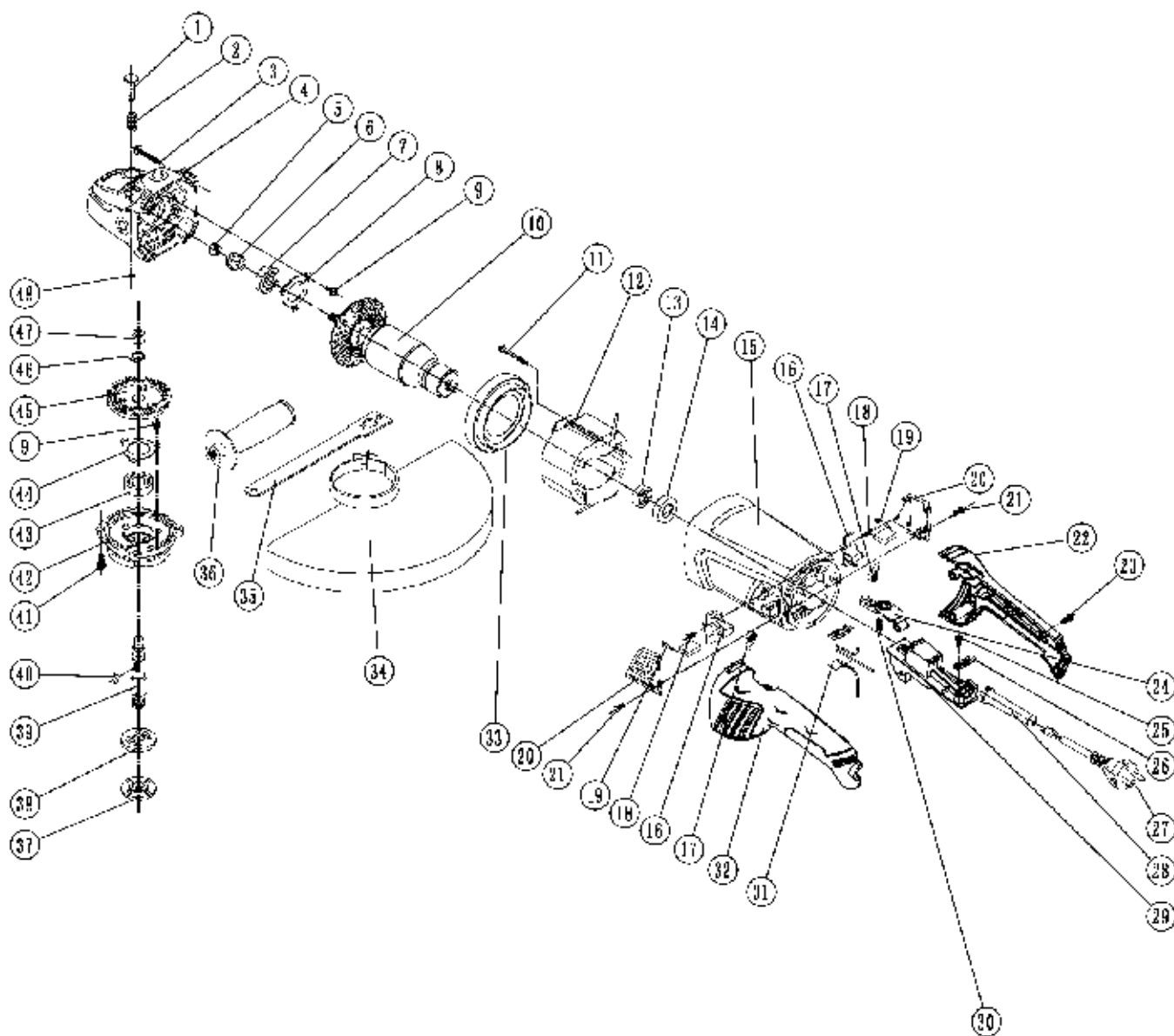
◀ SPARES

Drg. No.	Part No.	Description	Qty./Tool	Price (₹)
1	3344.1.16	Baffle Plate	1	35
2	3312.1.18	Bearing Sleeve	1	66
3	272.1.19	Bearing(629 2rs)	1	354
4	3831.3.02	Armature 235v	1	3,465
4	3831.3.52	Armature 110v	1	4,158
5	3232.1.09	Flat Washer	1	24
6	3600.1.35	P.h. Screw	7	24
7	3312.1.15	Retaining Cover For Bearing	1	24
8	3232.1.10	Paper Washer	1	11
9	272.1.12	Bearing (6301 2rs)	1	180
10	3300.1.24	Small Gear	1	384
10	3306.1.51	Small Gear For 77230	1	399
11	3604.1.47	Hex Nut	1	24
12	3261.1.03	Head Case	1	828
13	3240.1.05	Locking Cap	1	18
14	3310.1.73	Spring	1	3
15	3225.1.68	Tapping Screw	4	27
16	3329.1.77	Side Handle	1	146
17	3501.1.57	Locking Pin	1	24
18	3273.1.21	Needle Bearing(hk 1012)	1	80
19	3311.1.81	Retainer Ring For Spindle	1	3
20	3300.1.25	Gear	1	696
20	3300.1.28	Gear For 77230	1	707
21	3312.1.16	Bearing Retaining Cover	1	35
22	272.1.65	Bearing (6203 2rs)	1	294
23	3232.1.11	Wool Washer	1	11
24	3278.1.47	Front Cover	1	312
25	3600.1.36	P.h. Screw5x20	4	14
26	3600.1.37	Inner Hexagon Screw	4	42
27	3332.1.23	Wheel Guard	1	443
27	3332.1.25	Wheel Guard For 77230	1	509
28	3291.1.98	Spindle	1	170
29	3278.1.48	Dust Proof Cover	1	11
30	3409.1.23	Inner Flanger	1	72
31	3340.1.15	Abrasive Wheel	1	264
32	3409.1.24	Outer Flange	1	93
33	3225.1.69	Tapping Screw	2	7
34	3253.1.31	Cover For Brush	2	21
35	3251.9.52	Carbon Brush	1 Pair	201
36	3252.1.41	Brush Holder	2	173
37	3231.1.70	Washer	2	7

Drg. No.	Part No.	Description	Qty./Tool	Price (₹)
38	3438.1.02	Label	2	27
39	3225.1.70	Tapping Screw	2	7
40	3821.3.02	Field 235v	1	2,541
40	3821.3.52	Field 110v	1	3,049
41	3260.1.39	Housing	1	621
42	3225.1.71	Tapping Screw	2	7
43	3254.1.08	Carbon Brush Holder Cushion	2	7
44	3310.1.74	Spring	2	21
45	3329.1.78	Right Handle	1	181
46	3330.1.55	Switch	1	600
47	3329.1.79	Left Handle	1	181
48	3860.1.06	Cable	1	624
49	3861.1.03	Cord Guard	1	18
50	3279.1.46	Cable Clamp	1	3
51	3225.1.72	P. H. Tapping Screw	2	7
52	3225.1.73	Tapping Screw	4	14

SPARES ►

MODEL : 22180
180mm Angle Grinder



MODEL : 22180
180mm Angle Grinder

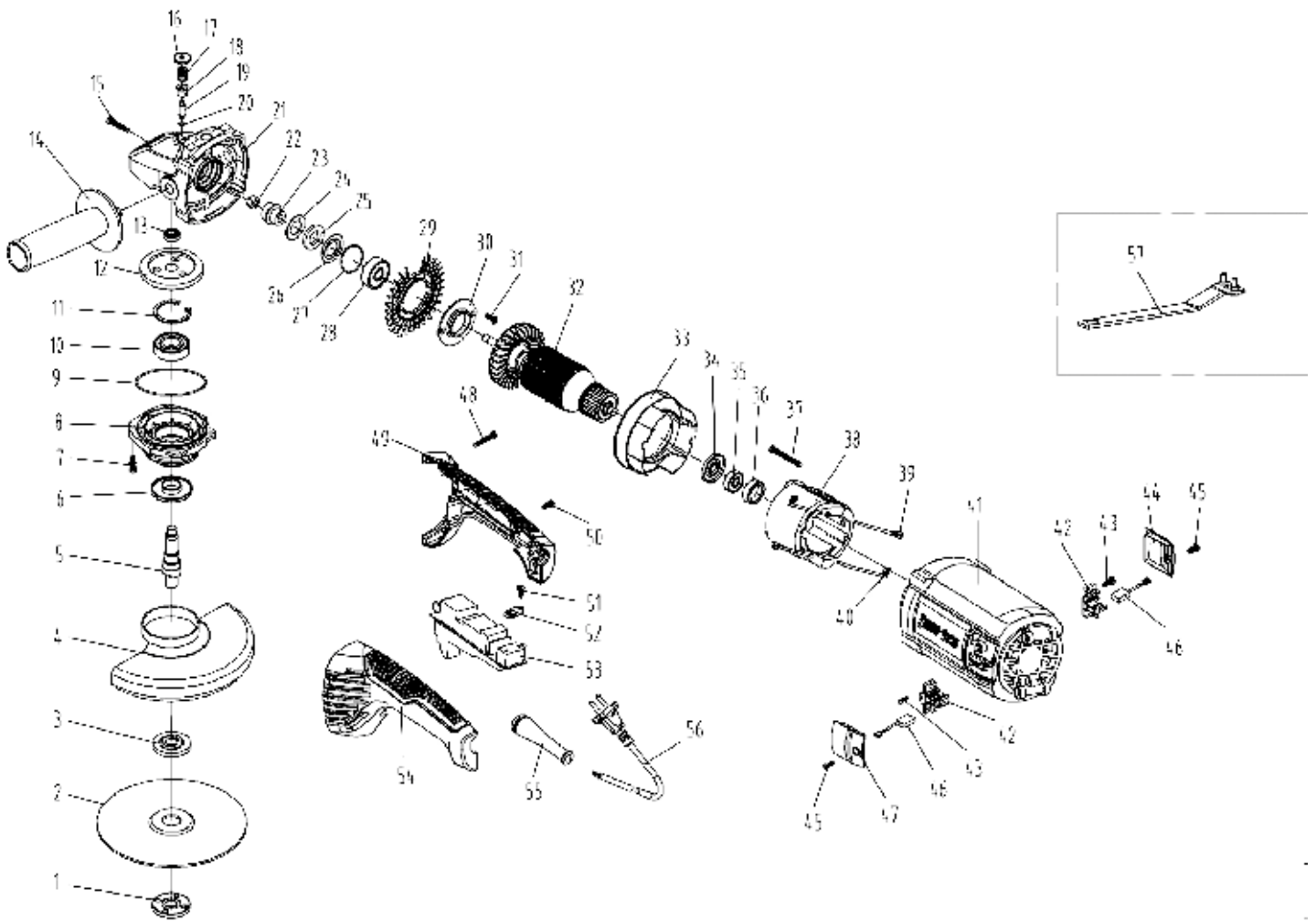
◀ SPARES

Drg. No.	Part No.	Description	Qty./Tool	Price (₹)
1	3502.1.24	Locking Pin	1	15
2	3310.1.92	Spring	1	6
3	3326.1.30	Screw St5x30	4	6
4	3265.1.27	Gear Housing	1	568
5	3604.1.53	Nut M8x1	1	11
6	3300.1.35	Small Gear	1	305
7	272.1.23	Ball Bearing 6201	1	246
8	3348.1.13	Bearing / Reatainer	1	13
9	3326.1.31	Screw M4x12	6	6
10	3831.3.08	Armature Assy	1	2,023
10	3831.3.58	Armature Assy 110v	1	2,428
11	3326.1.32	Screw St4x65	2	11
12	3821.3.08	Stator Assy	1	1,400
12	3821.3.58	Stator Assy 110v	1	1,680
13	272.1.19	Ball Bearing 629	1	354
14	3348.1.14	Bearing Sleeve	1	13
15	3260.1.43	Motor Housing	1	463
16	3252.1.49	Brush Holder	2	137
17	3310.1.93	Spring	2	13
18	3326.1.33	Screw St4x8	2	4
19	3251.9.58	Carbon Brush	1 Pair	126
20	3253.1.34	Brush Cover	2	53
21	3326.1.34	Screw St4x10	2	4
22	3329.1.94	Right Handle	1	147
23	3326.1.35	Screw St4x14	5	4
24	3502.1.25	Handle Turnover Knob	1	21
25	3326.1.36	Screw St4x14	1	4
26	3279.1.50	Cable Clamp	1	6
27	3290.1.08	Cable	1	316
28	3279.1.51	Cable Sleeve	1	15
29	3330.1.61	Switch	1	361
30	3310.1.95	Spring	1	6
32	3329.1.95	Left Handle	1	147
33	3344.1.20	Baffle Plate	1	42
34	3332.1.26	Safety Guard	1	316
35	3399.1.35	Wrench	1	63
36	3329.1.96	Side Handle	1	84
37	3409.1.27	Outer Flange	1	63
38	3409.1.28	Inner Flange	1	63
39	3291.1.40	Output Shaft	1	137
40	3275.1.40	Key 4x13	1	11

Drg. No.	Part No.	Description	Qty./Tool	Price (₹)
41	3326.1.37	Screw M5x16	4	6
42	3265.1.28	Front Gear Housing	1	126
43	272.1.43	Ball Bearing 6202	1	449
44	3270.1.36	Brg . Reatainer	1	15
45	3300.1.36	Big Gear	1	526
46	3311.1.84	Circlip	1	11
47	3360.1.92	Copper Sleeve ?16x?10x10	1	42
48	3310.1.94	Spring	1	6

SPARES ►

MODEL : 24180
180mm Angle Grinder



MODEL : 24180
180mm Angle Grinder

◀ SPARES

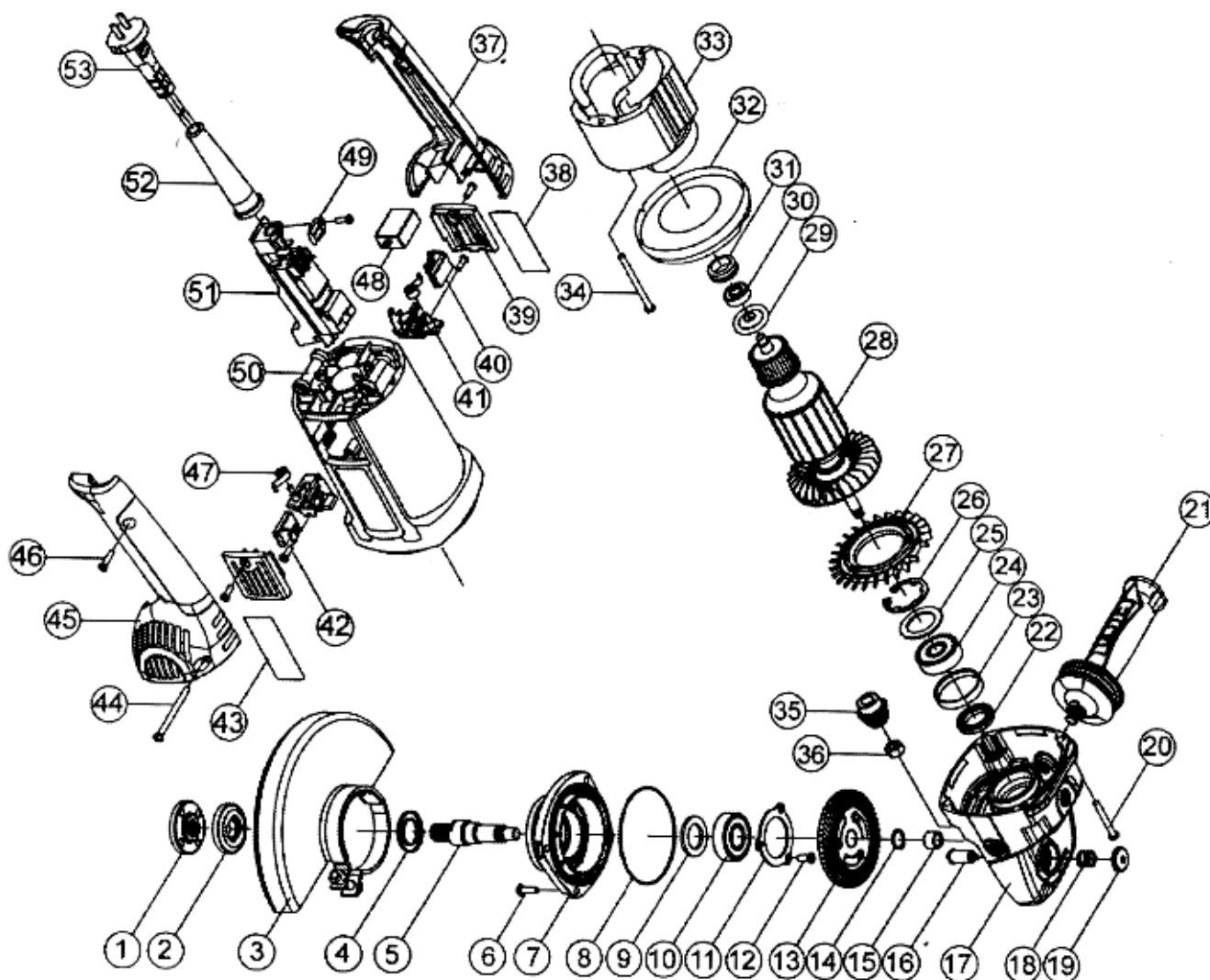
Drg. No.	Part No.	Description	Qty./Tool	Price (₹)
1	3409.1.29	Outer Flange	1	84
2	3340.1.16	Cutting Disc	1	158
3	3409.1.30	Inner Flange	1	84
4	3332.1.27	Safety Guard	1	274
5	3291.1.41	Output Shaft	1	147
6	3431.1.97	Dust Proof Ring	1	15
7	3326.1.38	Screw M5*20mm	4	4
8	3265.1.29	Front Gear Housing	1	526
9	3431.1.98	O Ring Ø81x1.9	1	11
10	272.1.65	Ball Bearig 6203	1	294
11	3311.1.85	Circlip Ø40	1	13
12	3300.1.37	Big Gear	1	631
13	272.1.96	Ball Bearig 6000	1	188
14	3329.1.97	Side Handle	1	210
15	3326.1.39	Screw St5x35	4	6
16	3502.1.26	Lock Cap	1	11
17	3310.1.96	Lock Spring	1	11
18	3502.1.28	Pin Sheath(steel)	1	21
19	3502.1.27	Lock Pin	1	25
20	3431.1.99	O Ring Ø6x1.8	1	6
21	3265.1.30	Gear Housing	1	737
22	3326.1.40	Nut M8xh6.5x13	1	11
23	3300.1.38	Small Gear	1	210
24	3502.1.29	Front Oil Proof Washer	1	11
25	3431.2.01	Oil Proof Ring	1	11
26	3431.2.02	Back Oil Proof Washer	1	11
27	3431.2.03	O Ring Ø37x1.8	1	8
28	272.1.12	Ball Bearing 6301	1	180
29	3344.1.21	Wind Baffle	1	42
30	3348.1.15	Brg.reatainer	1	32
31	3326.1.41	Screw M5x14	2	4
32	3831.3.09	Armature (std V)	1	2,526
32	3831.3.59	Armature 110v	1	3,031
33	3344.1.22	Baffle Plate	1	63
34	3348.1.16	Dust Proof Ring For Ball Bearing	1	13
35	272.1.96	Ball Bearing 6000	1	188
36	3348.1.57	Bearing Cap	1	32
37	3326.1.42	Screw St5x80	2	11
38	3821.3.09	Stator (std V)	1	2,210
38	3821.3.59	Stator 110v	1	2,652
39	3395.1.02	Contector A	4	11

Drg. No.	Part No.	Description	Qty./Tool	Price (₹)
40	3395.1.03	Contector B	2	11
41	3260.1.44	Motor Housing	1	463
42	3252.1.50	Brush Holder	2	105
43	3326.1.43	Screw St4x10	2	4
44	3253.1.35	Right Brush Cap	1	17
45	3326.1.44	Screw St4x14	2	4
46	3251.9.59	Carbon Brush	1 PAIR	168
47	3253.1.36	Left Brush Cap	1	17
48	3326.1.45	Screw St5x55	2	6
49	3329.1.98	Right Handle	1	147
50	3326.1.46	Screw St4x20	2	6
51	3326.1.47	Screw St4x14	2	4
52	3279.1.52	Cable Plate / Cable Clamp	1	11
53	3330.1.63	Switch	1	421
54	3329.1.99	Left Handle	1	147
55	3279.1.53	Cable Sheath/ Cable Sleeve	1	32
56	3290.1.09	Cable Wire	1	316
57	3399.1.36	Wrench	1	53

SPARES ▶

MODEL : AG180/AG230 PANTHER

180mm / 230mm Metal Body Angle Grinder Light Weight (Panther)



MODEL : AG180/AG230 PANTHER

180mm / 230mm Metal Body Angle Grinder Light Weight (Panther)

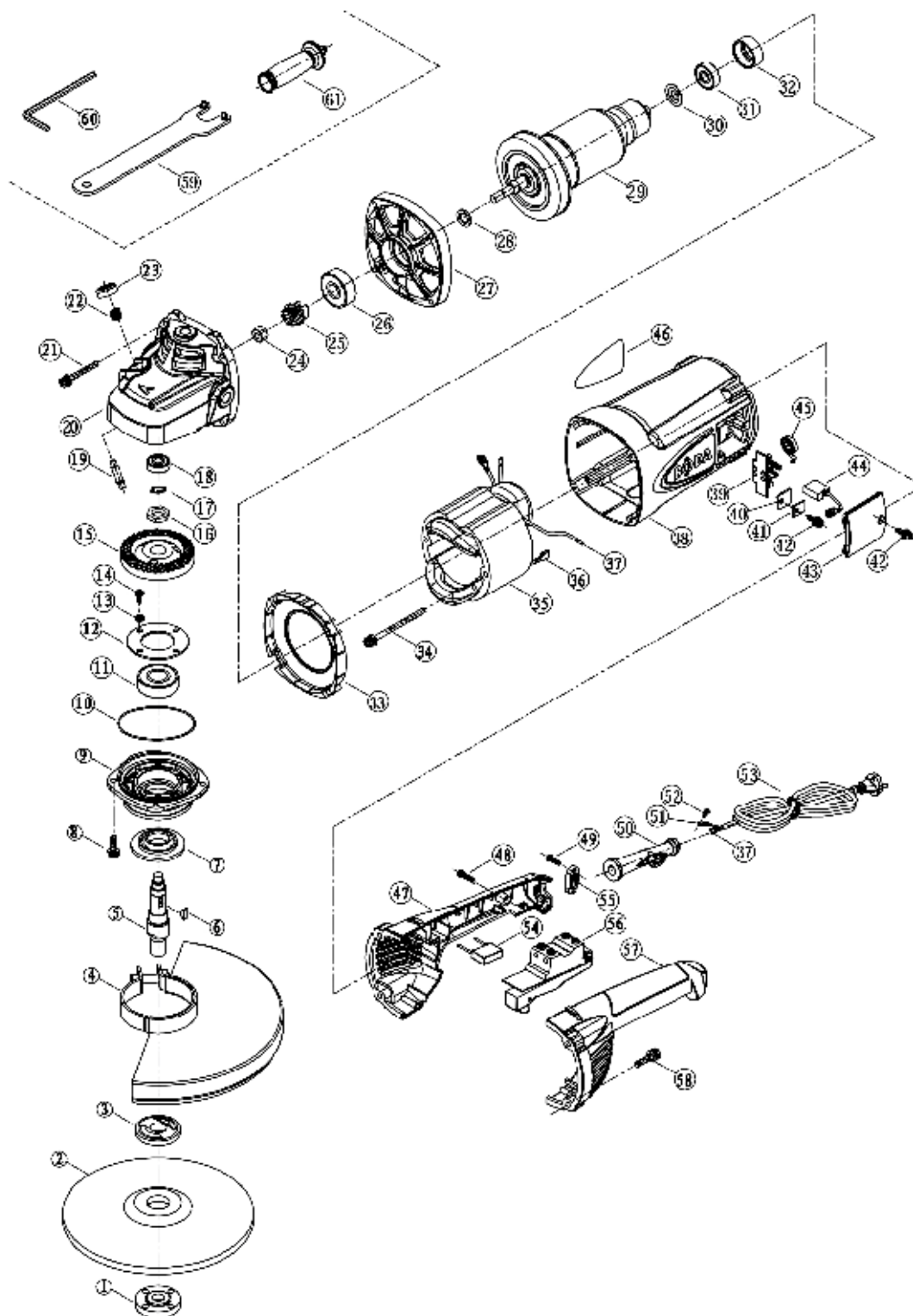
◀ SPARES

Drg. No.	Part No.	Description	Qty./Tool	Price (₹)
1	3230.1.61	Wheel nut	1	38
2	3230.1.62	Inner flange	1	318
3	3332.1.11	Wheel guard	1	485
4	3327.1.08	Dust proof cover	1	23
5	3291.1.15	Spindle	1	330
6	3220.1.27	Screw	4	16
7	3270.1.12	Cover plate	1	870
8	3431.1.08	O ring	1	38
9	3431.1.09	Wool ring	1	8
11	3500.1.61	Bearing cover	1	67
12	3220.1.62	Screw	3	16
14	3231.1.31	Preload washer	1	8
18	3310.1.15	Lock spring	1	38
20	3220.1.63	Screw for metal body	4	29
21	3329.1.14	Side handle	1	414
22	3500.1.63	Wool framework	1	8
23	3500.1.64	Rectangular ring	1	38
25	3230.1.63	Washer	1	8
26	3231.1.32	Spring washer	1	8
27	3313.1.03	Fan plate / fan guide	1	104
28	3830.3.15	Armature	1	2,546
28	3830.3.39	Armature 115V	1	3,055
29	3230.1.64	Washer	1	16
31	3500.1.65	Bearing cover	1	89
32	3313.1.08	Baffle plate metal body	1	76
33	3820.3.11	Field assy.	1	1,668
33	3820.3.39 M	Field assy. 115V	1	2,002
34	3220.1.06	Field screw	2	41
36	3604.1.09	Nut	1	8
37	3329.1.19	Handle (left)	1	414
38	3253.1.15	Brush cap	2	97
39	3251.9.15	Carbon brush	1 PAIR	303
40	3252.1.15	Brush holder	2	296
41	3230.1.84	Insulation washer	2	22
42	3310.1.26	Clip spring / field coil connector	2	76
43	3260.1.16	Motor frame	1	1,355
44	3230.1.85	Insulation washer	2	16
46	3220.1.32	Screw	2	16
47	3220.1.82	Screw	4	23
48	3220.1.33	Screw	2	16
49	3329.1.20	Handle (right)	1	414

Drg. No.	Part No.	Description	Qty./Tool	Price (₹)
50	3220.1.83	Screw	2	7
51	3220.1.84	Screw	1	7
52	3330.1.13	Switch	1	750
53	3360.1.06	Cable sleeve	1	23
56	3224.1.19	Cable cleat screw	1	16
57	3279.1.08	Cable cleat	1	16
13 & 35	3306.3.11	Gear & Pinion Assembly	1	1,157
15,16,17, 18,19	3265.3.10	Gear box assly	1	1,573

SPARES ▶

MODEL : 77180M
180mm Angle Grinder



MODEL : 77180M
180mm Angle Grinder

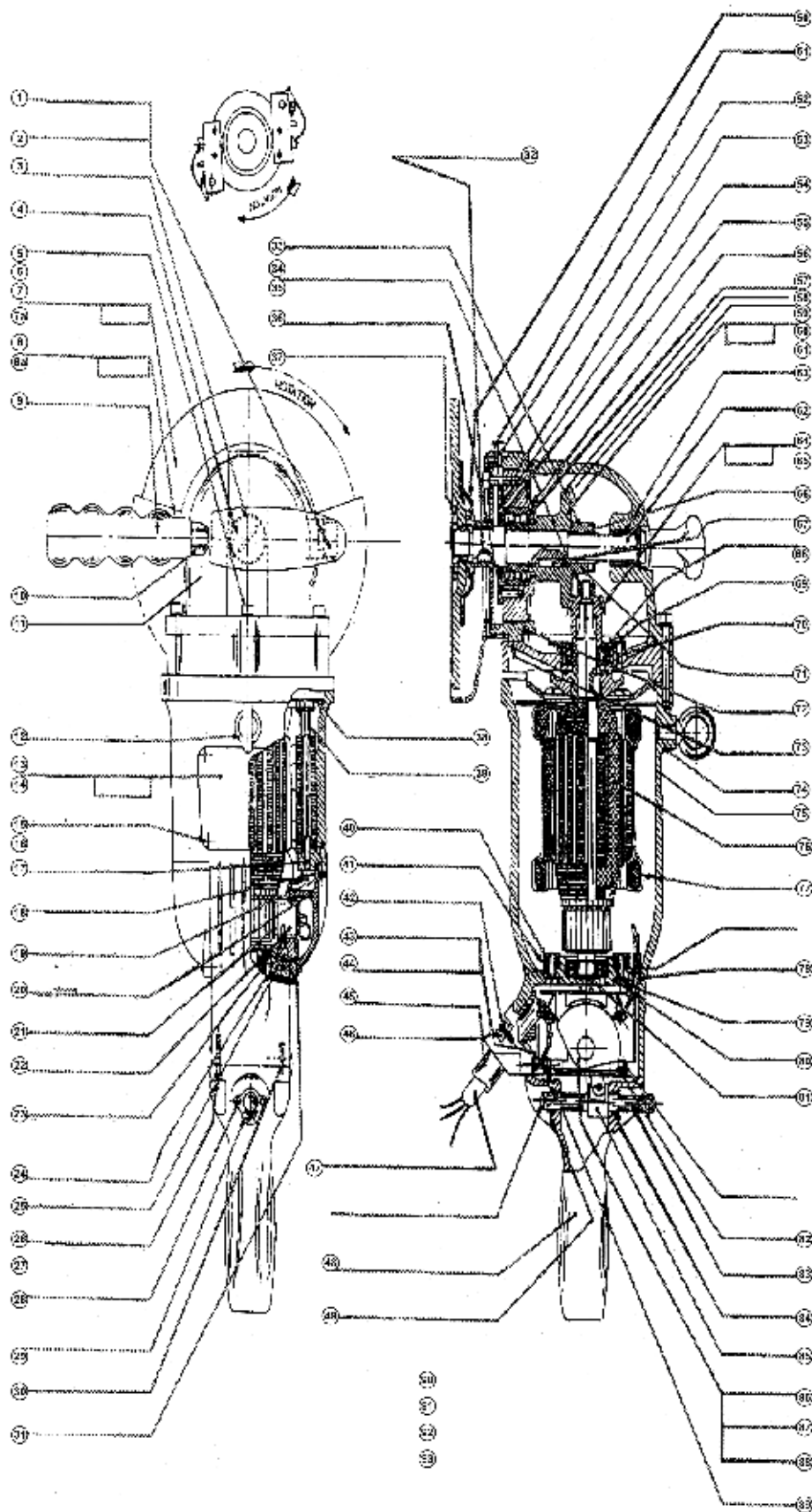
◀ SPARES

Drg. No.	Part No.	Description	Qty./Tool	Price (₹)
1	3409.1.24	Outer Flange	1	93
2	3440.1.16	Grinding Disc	1	264
3	3409.1.23	Inner Flange	1	72
4	3332.1.23	Wheel Guard	1	443
5	3291.1.99	Spindle	1	218
6	3275.1.37	Moon Key	1	14
7	3278.1.49	Dustproof Ring	1	14
8	3225.1.74	Screw	4	27
9	3278.1.50	Front Cover	1	222
10	3431.1.96	O Ring	1	14
11	272.1.65	Bearing(6203 2rs)	1	294
12	3312.1.17	Front Cover Bearing Cover	1	38
13	3231.1.71	Spring Washer	4	27
14	3225.1.75	Screw	4	14
15	3300.1.25	Big Gear	1	696
16	3604.1.48	Nut	1	14
17	3311.1.82	Circlip	1	7
18	272.1.04	Bearing(608 2rs)	1	257
19	3501.1.58	Self Locking Pin	1	32
20	3265.1.23	Gear Box	1	828
21	3225.1.76	Screw	4	42
22	3310.1.75	Self-locking Spring	1	3
23	3240.1.06	Self Locking Cap	1	18
24	3604.1.49	Anti-loose Nut	1	14
25	3306.1.50	Pinion	1	384
26	272.1.12	Bearing(6301 2rs)	1	180
27	3278.1.51	Middle Cover	1	170
28	3232.1.13	Flat Washer	1	27
29	3831.3.03	Armature 235v	1	4,044
29	3831.3.53	Armature 110v	1	4,852
30	3232.1.12	Dust-proof Washer	1	7
31	272.1.19	Bearing(629 2 Rs)	1	354
32	3312.1.19	Bearing Sleeve	1	83
33	3344.1.17	Baffle Plate	1	27
34	3225.1.77	Screw	2	27
35	3821.3.03	Field 235v	1	3,226
35	3821.3.53	Field 110v	1	3,871
36	3310.1.76	Plug Spring	2	21
37	3327.1.33	?-buckle	4	27
38	3260.1.40	Motor Housing	1	866
39	3252.1.42	Copper Brush Holder	2	152

Drg. No.	Part No.	Description	Qty./Tool	Price (₹)
40	3239.1.09	Insulating Washer	2	21
41	3231.1.72	Washer	2	14
42	3225.1.78	Screw	4	27
43	3253.1.32	Brush Cover	2	35
44	3251.9.53	Carbon Brush	1 Pair	156
45	3310.1.77	Coil Spring	2	62
46	3349.1.01	Nameplate	1	14
47	3329.1.80	Right Handle	1	146
48	3225.1.79	Screw	2	14
49	3225.1.80	Screw	2	7
50	3861.1.04	Cord Guard	1	24
51	3861.1.05	Terminal Clip	1	3
52	3225.1.81	Screw	1	3
53	3860.1.07	Cable	1	624
55	3279.1.47	Cable Clamp	1	7
56	3330.1.55	Switch	1	600
57	3329.1.81	Left Handle	1	146
58	3225.1.82	Screw	4	27
59	3399.1.33	Flat Spanner	1	111
60	3399.1.34	Inner Hexagon Spanner	1	24
61	3329.1.77	Side Handle	1	146

MODEL : AG7 / AG9

180mm /230mm Metal Body Heavy Duty Angle Grinder





MODEL : AG7 / AG9

180mm /230mm Metal Body Heavy Duty Angle Grinder

◀ SPARES

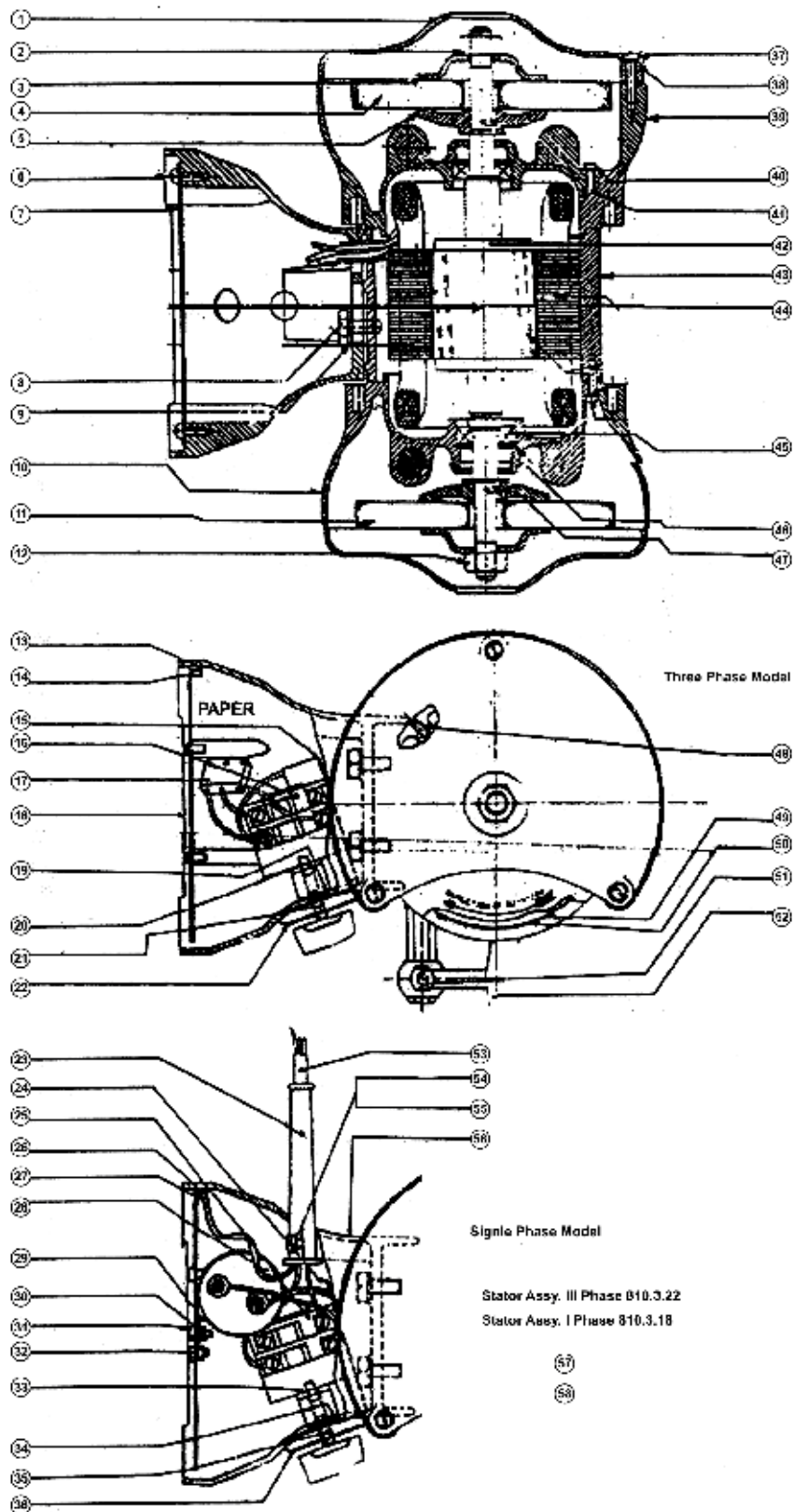
Drg. No.	Part No.	Description	Qty./Tool	Price (₹)
1	231.1.21	Washer	1	20
2	222.1.11	Bolt	1	20
3	329.1.33	Handle Loop	1	320
4	500.1.82	Grease Cap	1	25
5	602.1.16	Screw	5	34
7	340.1.01	Abrasive Wheel Ag7	1	457
7a	340.1.02	Abrasive Wheel Ag9	1	435
8	332.1.17	Whl Guard For Ag9	1	539
8a	332.1.16	Whl Guard For Ag7	1	386
9	329.1.44	Side Handle	1	320
10	408.1.01	Helicoil	2	50
10	408.1.01	Helicoil Insert	2	50
12	228.1.01	Eye Bolt	1	109
16	600.1.28	Screw	2	34
17	321.1.95	Washer	1	34
18	232.1.13	Washer	6	20
19	601.1.13	Screw	6	20
20	278.1.42	Inspection Cover	2	100
21	251.9.35	Carbon Brush	1 PAIR	148
22	252.1.23	Brush Holder	2	191
23	272.1.23	Bearing 6201 Zz	1	246
24	231.1.14	Washer	4	20
25	601.1.33	Screw	4	25
26	600.1.25	Screw	4	25
27	231.1.15	Washer	2	20
29	499.1.56	Felt Retng Plate	1	20
31	500.1.11	Mica Insulation	2	25
32	275.1.03	Key	1	34
33	310.1.11	Spring	1	34
34	604.1.55	Nyloc Nut	1	20
35	231.1.19	Washer	1	20
36	602.1.08	Screw	3	34
37	604.1.94	Nut (flange)	1	337
38	344.1.07	Baffle Plate	1	114
39	615.1.01	Spacer	2	25
40	604.1.47	Nut	2	20
41	254.1.11	Rocker	1	65
42	600.1.84	Screw	2	20
43	600.1.90	Screw	1	20
43	600.1.90	Screw	1	20
44	606.1.24	Washer	1	20
45	360.1.32	Cable Sleeve	1	34
46	279.1.42	Cable Cleat	1	34
47	291.48	Cable Assly	1	895
48	329.1.31	Switch Handle	1	466
49	499.1.55	Felt Retng Plate	1	20
50	409.3.01	Inner Flange Assly	1	337
51	602.1.05	Screw	2	20
52	606.1.33	Washer	1	20

Drg. No.	Part No.	Description	Qty./Tool	Price (₹)
53	606.1.37	Washer	1	84
54	602.1.10	Screw	3	25
56	348.1.46	Bearing Retainer	1	393
57	500.1.81	Felt Washer	1	20
58	500.1.80	Adjusting Ring	1	533
59	272.1.47	Bearing 5204 Zz	1	1,709
60	306.1.16	Gear For Ag9	1	2,294
61	306.1.14	Gear For Ag7	1	2,294
62	273.1.11	Needle Roller Brg	1	630
63	290.1.92	Spindle	1	1,104
64	306.1.15	Pinion For Ag9	1	1,110
65	306.1.13	Pinion For Ag7	1	1,110
66	311.1.39	Circlip	2	20
67	275.1.82	Key	1	34
68	348.1.40	Bearing Retainer	1	44
69	272.1.65	Bearing 6203 Zz	1	294
70	600.1.96	Screw	3	25
71	232.1.14	Washer	3	20
72	321.1.95	Spacer	1	34
73	265.1.47	Gear Box	1	1,959
74	270.1.37	I G Plate	1	998
75	260.1.64	Motor Frame	1	3,062
76	830.3.77	Armature	1	3,985
76	832.3.42	Armature 115v	1	4,782
77	821.3.21	Field Coil	1	2,525
77	821.3.22	Field Coil 115v	1	3,030
78	239.1.11	Insln Washer	1	34
79	600.1.42	Screw	2	20
80	232.1.12	Washer	2	20
81	236.1.06	Dished Blank	1	20
82	242.1.63	Nut	2	25
84	500.1.66	Sw Plunger	1	197
85	500.1.70	Bobbin	1	25
86	330.1.09	Switch	1	337
87	225.1.01	Rivet	2	20
88	500.1.71	Switch Insln	1	34
89	500.1.72	Switch Support	2	34
90	399.1.02	Spanner	1	148
91	399.1.10	Spanner	1	166
92	398.1.11	Gasket	1	50
93	311.1.30	Circlip	1	20
94	604.1.50	Nut	2	20
95	602.1.49	Screw	1	34
15,28	225.1.02	Rivet	8	20
30,83	601.1.30	Screw	6	20
6,55	232.1.16	Washer	8	20
41,22,25,24,31	862.3.23	Rocker Assy.	1	360
48,84,85,93	329.2.31	Back Handle Sub Assly	1	1,011

SPARES ▶

MODEL : TG61PH / TG63PH

150mm Bench Grinder A.C. Single Phase (230V/250V) / Bench Grinder A.C. Three Phase (420V/440V)



MODEL : TG61PH / TG63PH

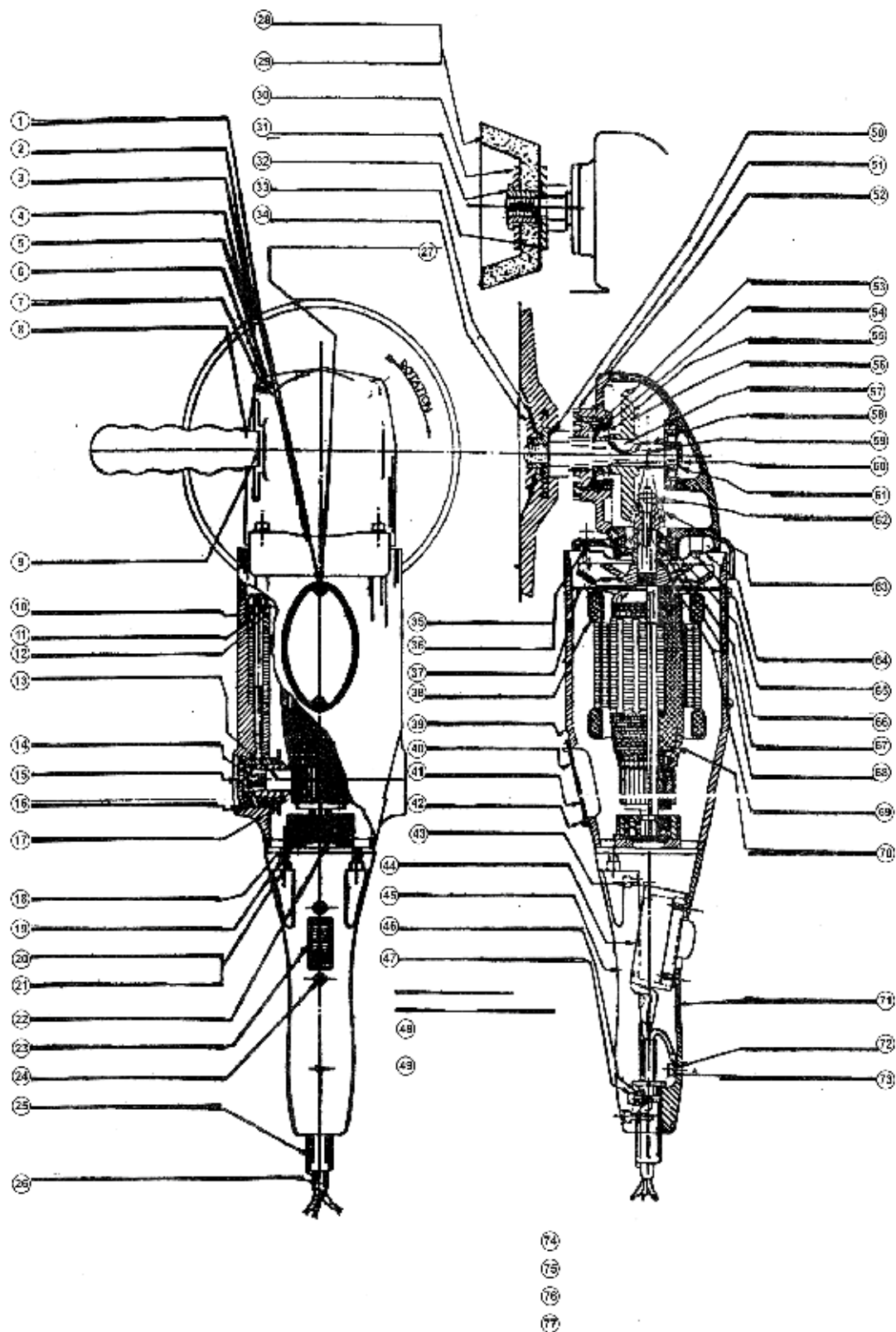
◀ SPARES

150mm Bench Grinder A.C. Single Phase (230V/250V) / Bench Grinder A.C. Three Phase (420V/440V)

Drg. No.	Part No.	Description	Qty./Tool	Price (₹)
1	278.1.79	Cover	2	435
2	604.1.26	Nut (l/h)	1	34
3	409.1.22	Outer Flange	2	223
4	340.1.14	Wheel Fine	1	761
5	409.1.21	Inner Flange	2	294
6	600.1.77	Screw	3	20
7	500.1.66	Sw Protection Plate	1	197
8	601.1.72	Screw/ Bolt	2	20
9	231.1.19	Washer	3	20
10	500.1.84	End Shield R H	1	1,628
11	340.1.13	Wheel Coarse	1	761
12	604.1.25	Nut (r/h)	1	34
16	330.1.12	Switch For 3ph	1	525
17	314.1.09	Terminal Block For 3ph	1	65
23	360.1.32	Sleeve	1	34
25	330.1.13	Switch For 1ph	1	557
28	317.1.11	Capacitor (8 Mfd)	1	557
29	279.1.54	Clamp	1	34
30	241.1.20	Nut	1	25
31	600.1.42	Screw	1	20
37	600.1.38	Screw	6	20
39	500.1.83	End Shield L H	1	1,628
40	600.1.86	Screw	4	20
42	800.3.59	Rotor	1	2,317
43	260.1.63	Motor Frame	1	1,120
45	272.1.43	Bearing 6202 Zz	2	449
46	240.1.15	Corkwasher	2	20
47	500.1.63	Dowel	2	44
48	602.1.60	Grub Screw	2	20
49	225.1.02	Screw	4	20
50	405.1.31	Trade Mark Plate	1	32
51	602.1.27	Bolt	2	20
52	500.1.64	Tool Rest	2	123
54	279.1.42	Clamp	1	34
55	601.1.28	Screw	2	20
57	600.1.85	Screw	4	20
59	810.3.22	Stator For 3ph	1	6,720
60	810.3.18	Stator For 1ph	1	7,137
61	600.1.89	Screw	1	20
62	403.3.66	Cable Assembly	1	238
13,26	606.1.24	Washer	2	20

Drg. No.	Part No.	Description	Qty./Tool	Price (₹)
14, 27	600.1.90	Screw / Earth Screw	2	20
15,24	500.1.85	Sw Insln Paper	1	20
18,56	313.1.04	Base	2	1,305
19,34	365.1.31	Bracket	1	84
20,32	600.1.43	Screw 2+1	3	20
21,35	600.1.34	Screw	2	20
38,44	231.1.15	Washer	4	20
41,58	231.1.01	Washer	8	20

MODEL : HS7
180mm Horizontal Sander



MODEL : HS7

180mm Horizontal Sander

◀ SPARES

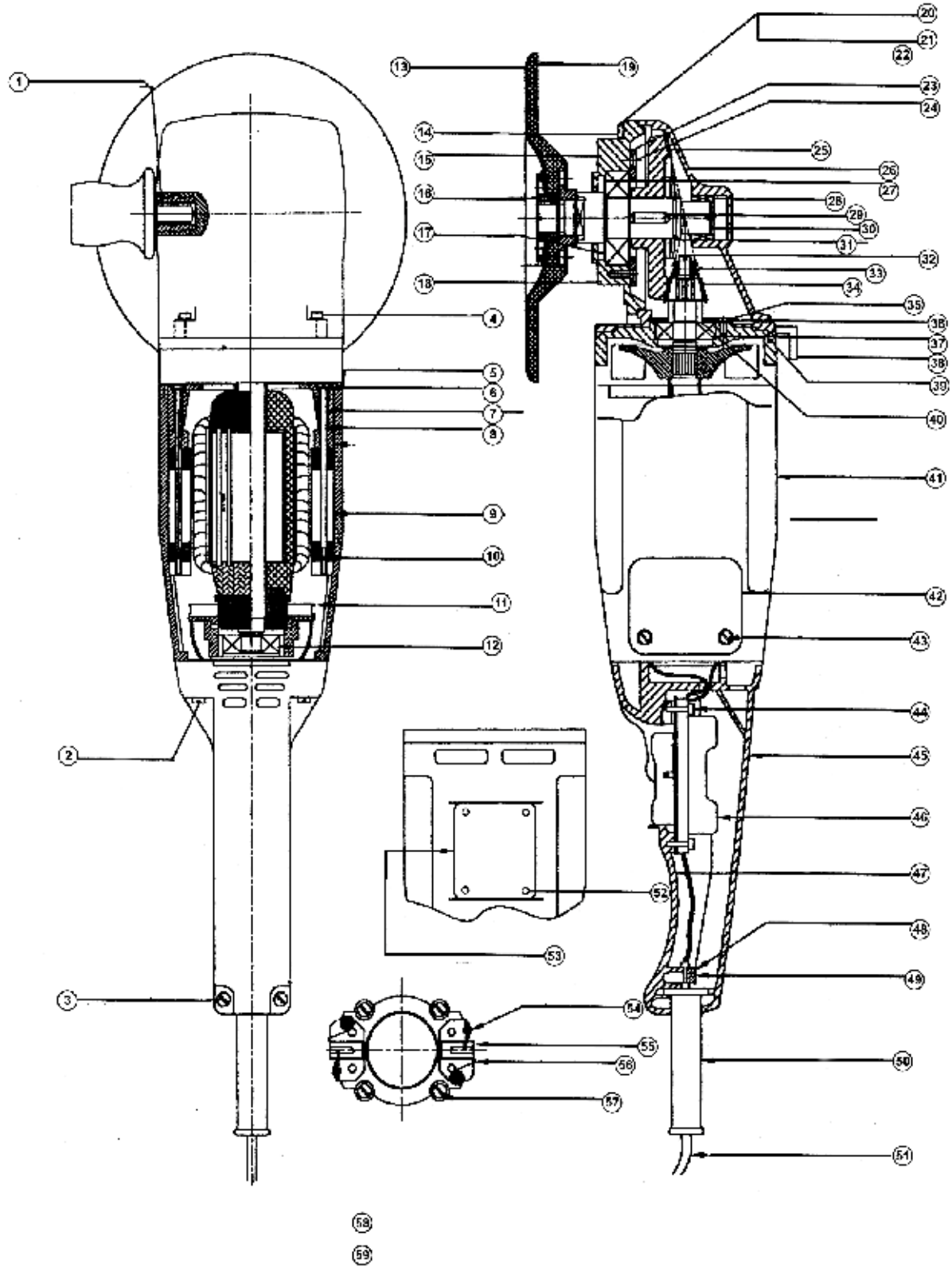
Drg. No.	Part No.	Description	Qty./Tool	Price (₹)
1	225.1.02	Screw	2	20
2	499.1.22	Bench Stand	1	34
3	433.1.06	Sanding Disc	1	294
4	432.1.01	Pad	1	582
5	265.1.49	Gear Box	1	1,628
6	600.1.97	Screw	4	25
7	232.1.14	Washer	4	20
8	329.1.22	Side Handle	1	230
9	231.1.05	Washer	1	20
10	600.1.29	Screw	2	44
11	231.1.12	Washer	6	20
12	615.1.01	Distance Piece	2	25
13	251.9.31	Carbon Brush	1 PAIR	100
14	602.1.54	Grub Screw	2	20
15	253.1.08	Brush Cap	2	44
16	252.1.29	Brush Holder	2	109
17	239.1.14	Insu. Washer	2	20
18	230.1.37	Washer	1	141
19	272.1.22	Bearing 6200 Zz	1	303
20	600.1.60	Screw	4	34
21	231.1.11	Washer	4	20
22	236.1.06	Dished Blank	1	20
23	330.1.10	Switch	1	278
24	601.1.02	Screw	2	20
25	360.1.32	Sleeve	1	34
30	409.1.43	Flange (outer)	1	294
31	604.1.66	Nut	1	25
32	409.1.42	Flange (inner)	1	294
33	236.1.02	Washer	1	25
34	249.1.13	Nut	1	313
35	600.1.61	Screw	4	25
37	344.1.08	Baffle Plate	1	50
38	822.3.01	Field Coil Br	1	1,478
39	260.1.62	Motor Frame	1	2,317
40	278.1.77	Cover	1	114
41	398.1.10	Gasket	1	34
42	601.1.18	Screw	4	20
43	600.1.85	Screw	4	20
44	500.1.76	Sw Insln Paper	1	20
45	278.1.78	Cover	1	148
46	279.1.43	Cable Clamp	1	25

Drg. No.	Part No.	Description	Qty./Tool	Price (₹)
47	601.1.28	Screw	2	20
48	399.1.10	Spanner	1	166
48	399.1.02	Spanner	1	148
50	239.1.13	Washer	1	20
51	604.1.87	Nut	1	50
52	278.1.84	Cover	1	582
53	385.1.24	Housing	1	303
54	272.1.43	Bearing 6202 Zz	1	449
55	311.1.22	Circlip	1	20
56	306.1.17	Gear	1	1,970
57	275.1.52	Key	1	44
58	615.1.02	Spacer	1	89
59	291.1.64	Spindle	1	508
60	603.1.01	Screw	1	20
61	272.1.55	Bearing 6200 Zz	1	256
62	604.1.22	Nut	2	20
63	306.1.18	Pinion	1	1,317
64	344.1.09	Baffle Plate	1	34
67	311.1.35	Circlip	1	20
68	272.1.23	Bearing 6201 Zz	1	246
69	321.1.52	Spacer	1	25
70	832.3.53	Armature Br	1	2,317
71	329.1.30	Handle	1	443
72	600.1.90	Screw	1	20
73	606.1.24	Washer	1	20
76	831.3.30	Armature (hs7 - Ar)	1	2,317
76	831.3.31	Armature (hs7 - Ar) 115v	1	2,780
77	821.3.92	Field Coil (hs7 - Ar)	1	1,478
77	821.3.93	Field Coil (hs7 - Ar) 115v	1	1,776
78	601.1.22	Screw	2	20
79	224.1.56	Screw	2	20
80	600.1.89	Screw	1	20
47,76,43	329.2.30	Handle Sub Assly	1	1,112

SPARES ▶

MODEL : 25180

180mm Light Weight Heavy Duty H Sander (Double Insulated)





MODEL : 25180

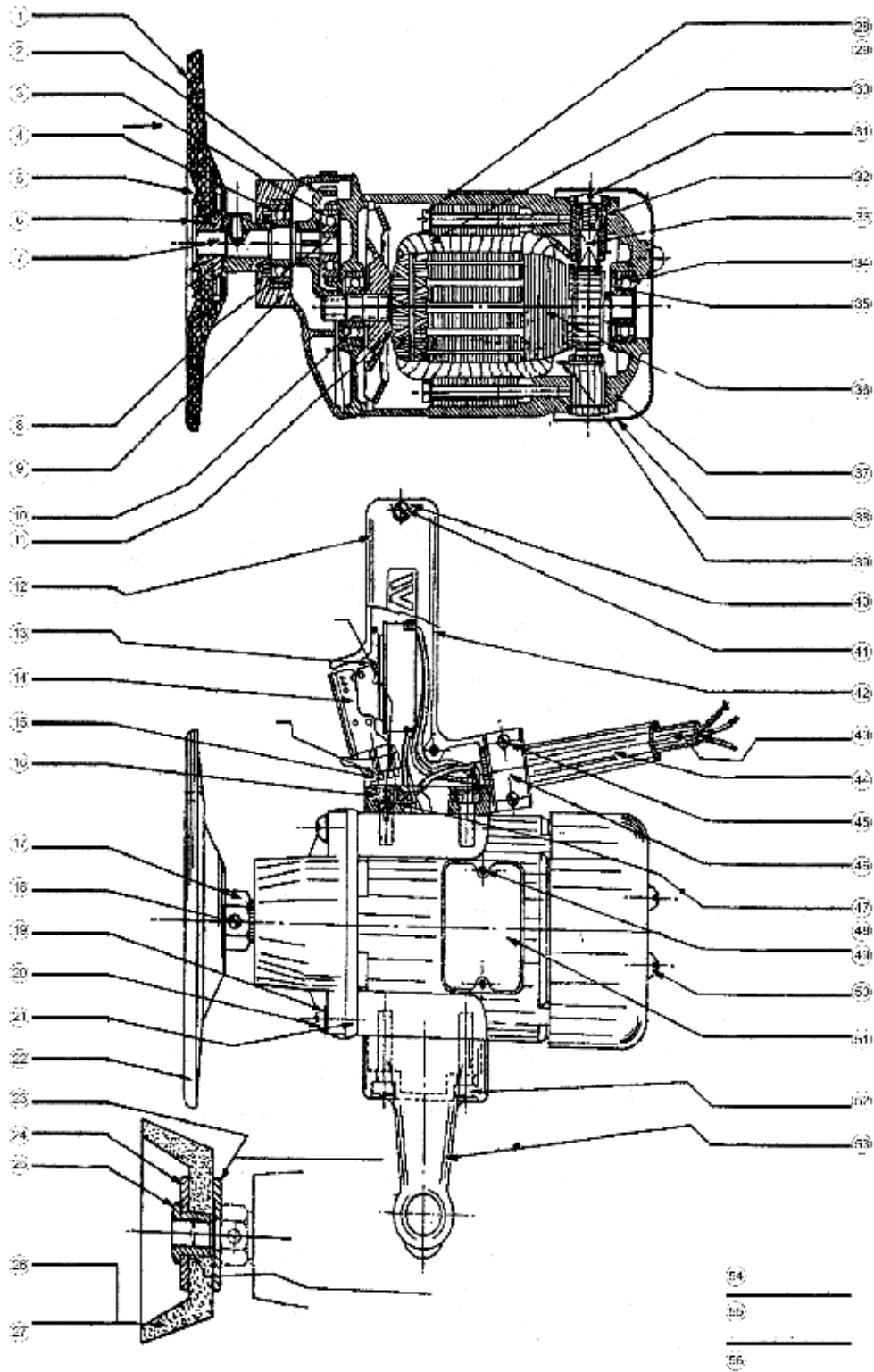
180mm Light Weight Heavy Duty H Sander (Double Insulated)

Drg. No.	Part No.	Description	Qty./Tool	Price (₹)
1	329.1.44	Handle	1	320
2	224.1.06	Screw	4	20
3	224.1.05	Screw Inner & Outer	2	20
4	224.1.09	Screw	4	20
6	231.1.02	Field Screw Washer	4	20
7	220.1.56	Screw	2	20
8	344.1.02	Baffle Plate	1	89
9	820.3.03	Field Coil	1	2,704
9	822.3.58	Field Coil 115v	1	3,243
10	830.3.12	Armature	1	2,704
10	833.3.02	Armature 115v	1	3,243
11	862.3.03	Br/holder Bracket	1	156
12	272.1.22	Bearing 6200 zz	1	303
13	433.1.06	Sanding Disc	1	294
14	2322.1.01	Shim	1	20
15	270.1.07	Cover Plate	1	443
16	249.1.13	Wheel Nut	1	313
17	272.1.87	Bearing 6204 zz	1	489
18	236.1.02	Washer for Pad	1	25
19	432.1.01	Pad	1	582
20	220.1.78	Screw	4	20
23	348.1.10	Bearing Retainer	1	65
24	220.1.16	Screw	4	20
25	306.1.08	Gear	1	1,926
26	265.1.16	Gear Box	1	1,382
27	500.1.81	Felt Washer	1	20
28	273.1.02	Needle Roller Brg	1	353
29	275.1.55	Key	1	50
30	290.1.35	Spindle	1	435
31	311.1.08	Circlip	1	20
32	2236.1.02	Dish Washer	2	34
33	604.1.22	Nut	2	20
34	306.1.07	Pinion	1	1,259
36	348.1.24	Bearing Retainer	1	59
37	272.1.23	Bearing 6201 zz	1	246
38	365.1.14	Bracket	1	89
39	270.1.09	Gear Plate	1	489
41	260.1.13	Motor Frame	1	2,229
42	623.1.53	Inspection Cover	2	50
42	606.1.43	Spacer	1	44
43	224.1.08	Screw	4	20

Drg. No.	Part No.	Description	Qty./Tool	Price (₹)
44	224.1.01	Screw	2	20
45	329.1.05	Handle Top	1	148
46	330.1.01	Switch	1	539
47	329.1.04	Handle Bottom	1	109
48	224.1.04	Screw	2	20
49	279.1.05	Cable Cleat	1	25
50	360.1.06	Sleeve	1	34
52	225.1.02	Hammer Drive	4	20
54	220.1.02	Carbon Brush Screw	2	20
55	251.9.03	Carbon Brush	1 PAIR	114
56	310.1.06	Spring	2	44
57	224.1.03	Screw	4	20
58	399.1.10	Spanner	1	166
59	399.1.02	Spanner	1	148
60	230.1.02	Washer	2	20

SPARES ▶

MODEL : VSM
180mm Vertical Sander





MODEL : VSM

180mm Vertical Sander

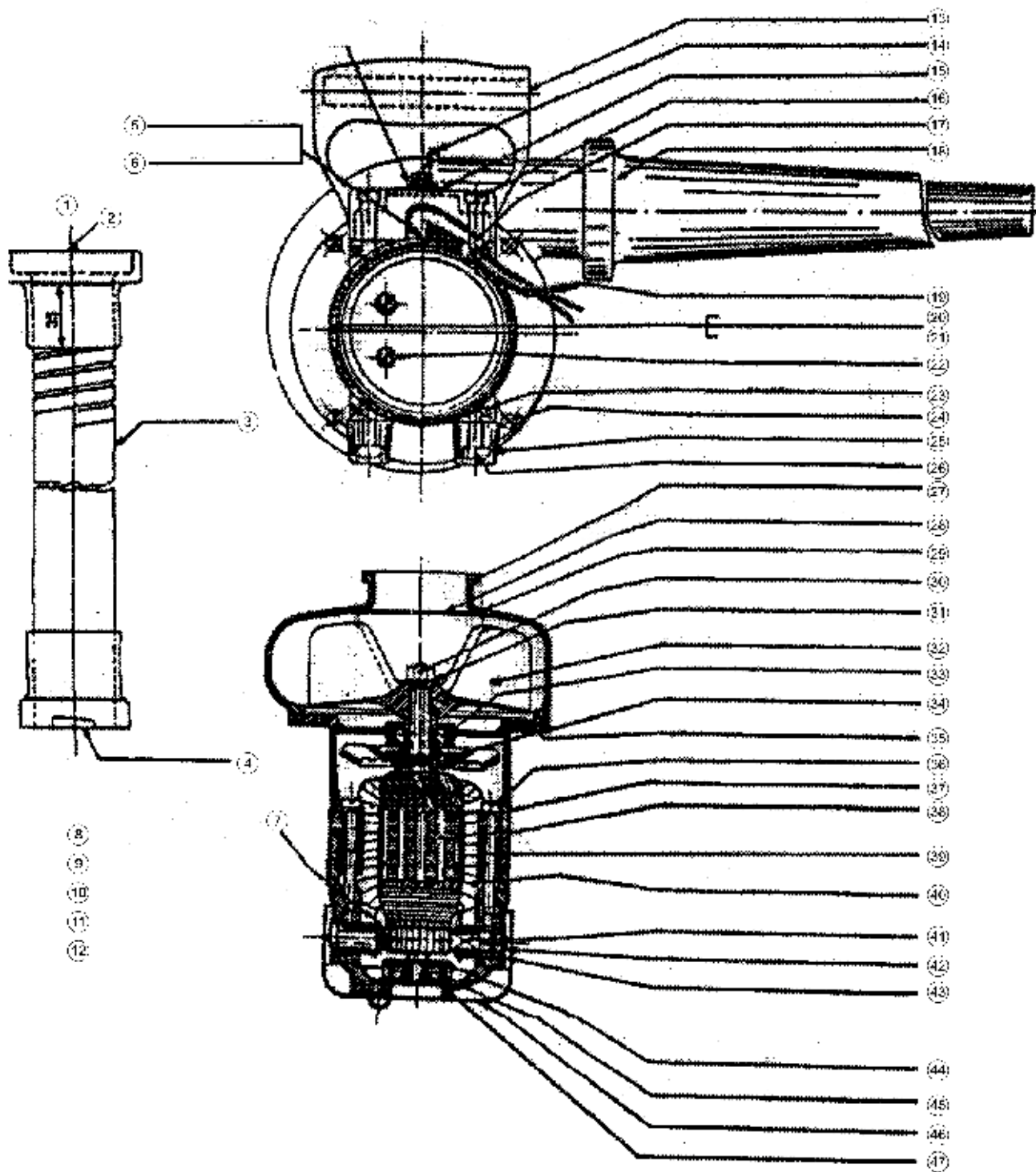
◀ SPARES

Drg. No.	Part No.	Description	Qty./Tool	Price (₹)
1	433.1.06	Sanding Disc	1	294
2	300.1.70	Gear	1	303
3	272.1.55	Bearing 6200 Zz	2	256
4	272.1.43	Bearing 6202 Zz	1	449
5	236.1.02	Washer	1	25
6	604.1.73	Nut	1	44
7	290.1.86	Spindle	1	89
8	275.1.03	Key	1	34
9	265.1.46	Gear Box	1	401
10	272.1.23	Bearing 6201 Zz	1	246
11	321.1.19	Spacer	1	44
12	278.1.83	Cover	1	206
13	499.1.31	Switch Insln Paper	1	20
14	330.1.07	Switch Insln Paper	1	246
15	601.1.22	Screw	2	20
17	383.1.33	Metallic Sleeve	1	50
18	602.1.54	Screw	1	20
19	231.1.20	Washer	4	20
20	600.1.02	Screw	4	20
21	270.1.34	Gear Plate	1	621
22	432.1.07	Pad	1	525
23	409.1.42	Flange (inner)	1	294
24	409.1.28	Flange (outer)	1	294
25	604.1.66	Nut	1	25
28	232.1.11	Washer	2	20
29	600.1.19	Screw	2	20
30	821.3.57	Field Coil	1	2,181
30	821.3.58	Field Coil 115v	1	2,618
31	253.1.05	Brush Cap	2	34
32	252.1.21	Brush Holder	2	89
33	251.9.17	Carbon Brush	1 PAIR	76
34	272.1.22	Bearing 6200 Zz	1	303
35	230.1.37	Washer	1	141
36	831.3.54	Armature	1	2,386
36	831.3.55	Armature 115v	1	2,863
37	260.1.52	Motor Frame	1	1,697
38	278.1.43	End Cover	1	230
39	239.1.12	Washer	2	20
40	232.1.14	Washer	2	20
41	600.1.85	Screw	2	20
42	329.1.37	Handle	1	597

Drg. No.	Part No.	Description	Qty./Tool	Price (₹)
44	360.1.32	Sleeve	1	34
45	600.1.84	Screw	2	20
46	279.1.53	Cable Clamp	1	25
47	600.1.90	Screw	1	20
48	606.1.24	Screw	4	20
49	225.1.02	Screw	2	20
50	600.1.01	Screw	2	20
52	602.1.22	Screw	4	25
53	329.1.38	Handle	1	834
55	399.1.02	Spanner	1	148
56	399.1.10	Spanner	1	166
57	602.1.21	Screw	4	20
58	239.1.13	Washer	1	20
2,7,8	300.3.70	Gear Assly	1	825

SPARES ▶

MODEL : NWB
Portable Industrial Blower





MODEL : NWB

Portable Industrial Blower

◀ SPARES

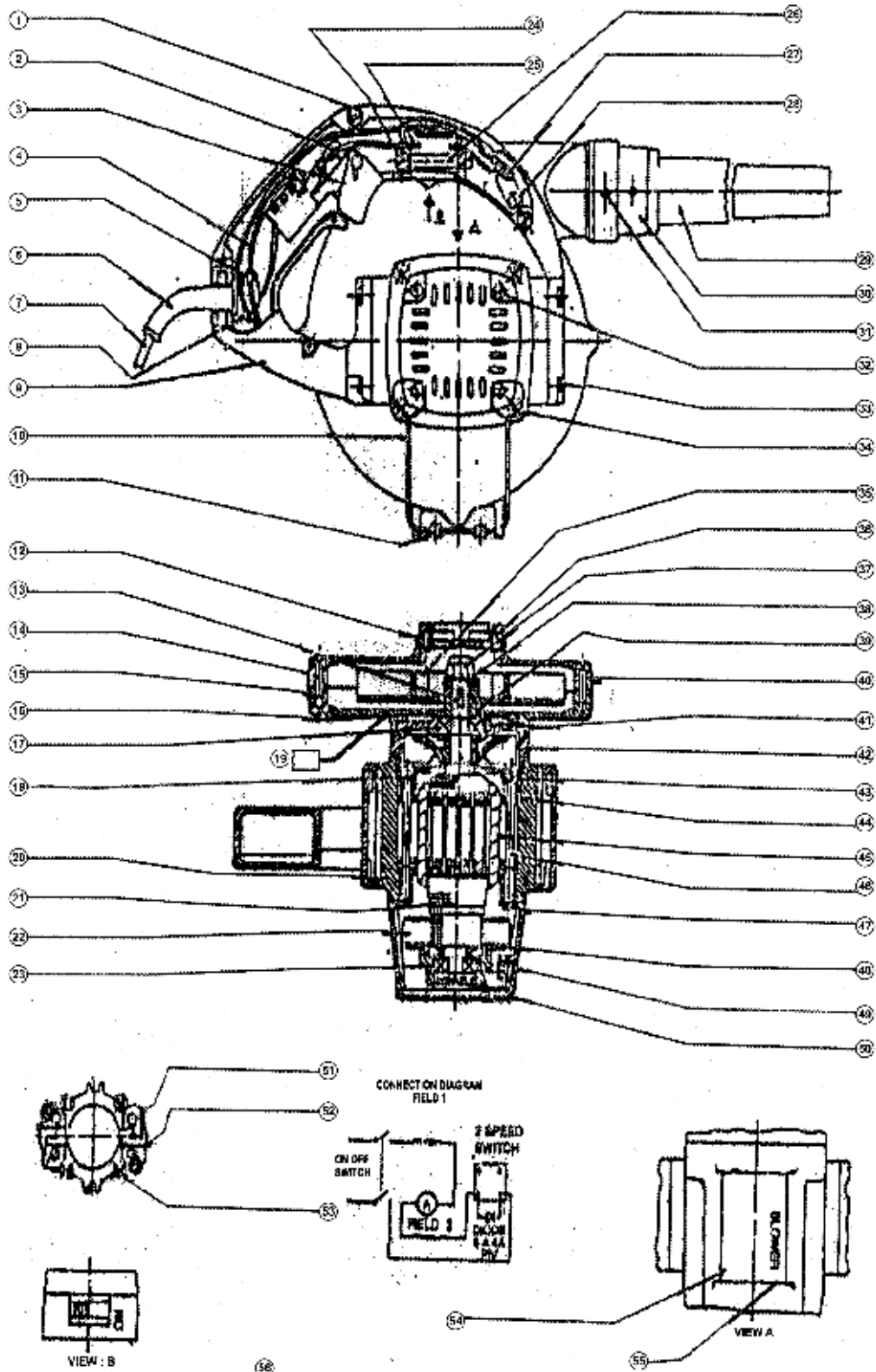
Drg. No.	Part No.	Description	Qty./Tool	Price (₹)
2	342.1.11	Coupling	3	25
4	342.1.10	Coupling	1	25
5	600.1.90	Screw / Earth Screw	1	20
6	606.1.24	Washer	1	20
7	239.1.12	Washer	2	20
8	409.1.25	Switch Insln	1	20
9	279.1.42	Cable Clamp	1	34
10	600.1.82	Screw	2	20
11	602.1.54	Grub Screw	1	20
12	232.1.13	Washer	4	20
13	329.1.38	Handle	1	834
14	330.1.08	Switch	1	223
15	405.1.25	Induction Plate	1	39
16	602.1.22	Screw	4	25
17	360.1.32	Sleeve	1	34
18	420.1.29	Nozzle	1	303
22	600.1.01	Screw	2	20
23	600.1.08	Screw	4	20
24	600.1.17	Screw	4	20
25	432.1.08	Pad	2	20
27	385.1.25	Housing	1	1,503
28	278.1.86	Cover	1	44
30	604.1.23	Nut	1	20
31	231.1.19	Washer / Spring Washer	1	20
32	326.1.39	Impeller	1	412
33	272.1.23	Bearing 6201 Zz	1	246
34	230.1.27	Washer	1	20
35	268.1.20	End Bracket	1	483
37	231.1.15	Washer	1	20
38	831.3.58	Armature	1	2,317
38	831.3.59	Armature 115v	1	2,780
39	260.1.52	Motor Frame	1	1,697
40	821.3.17	Field Coil	1	1,372
40	821.3.18	Field Coil 115v	1	1,647
41	251.9.17	Carbon Brush	1 PAIR	76
42	253.1.05	Br Holder Cap	2	34
43	252.1.21	Brush Holder	2	89
44	230.1.37	Washer	1	141
45	272.1.22	Bearing 6200 Zz	1	303
46	278.1.43	Cover	1	230
47	236.1.06	Washer	1	20

Drg. No.	Part No.	Description	Qty./Tool	Price (₹)
48	600.1.88	Screw	2	20
49	600.1.23	Screw	2	20
50	403.3.65	Cable Assembly	1	190
51	231.1.12	Washer	2	20
21,29	225.1.02	Rivet	6	20
26,36	602.1.23	Screw	4	34

SPARES ▶

MODEL : 77750

Portable Industrial Heavy Duty Two Speed Blower (Double Insulated)





MODEL : 77750

◀ SPARES

Portable Industrial Heavy Duty Two Speed Blower (Double Insulated)

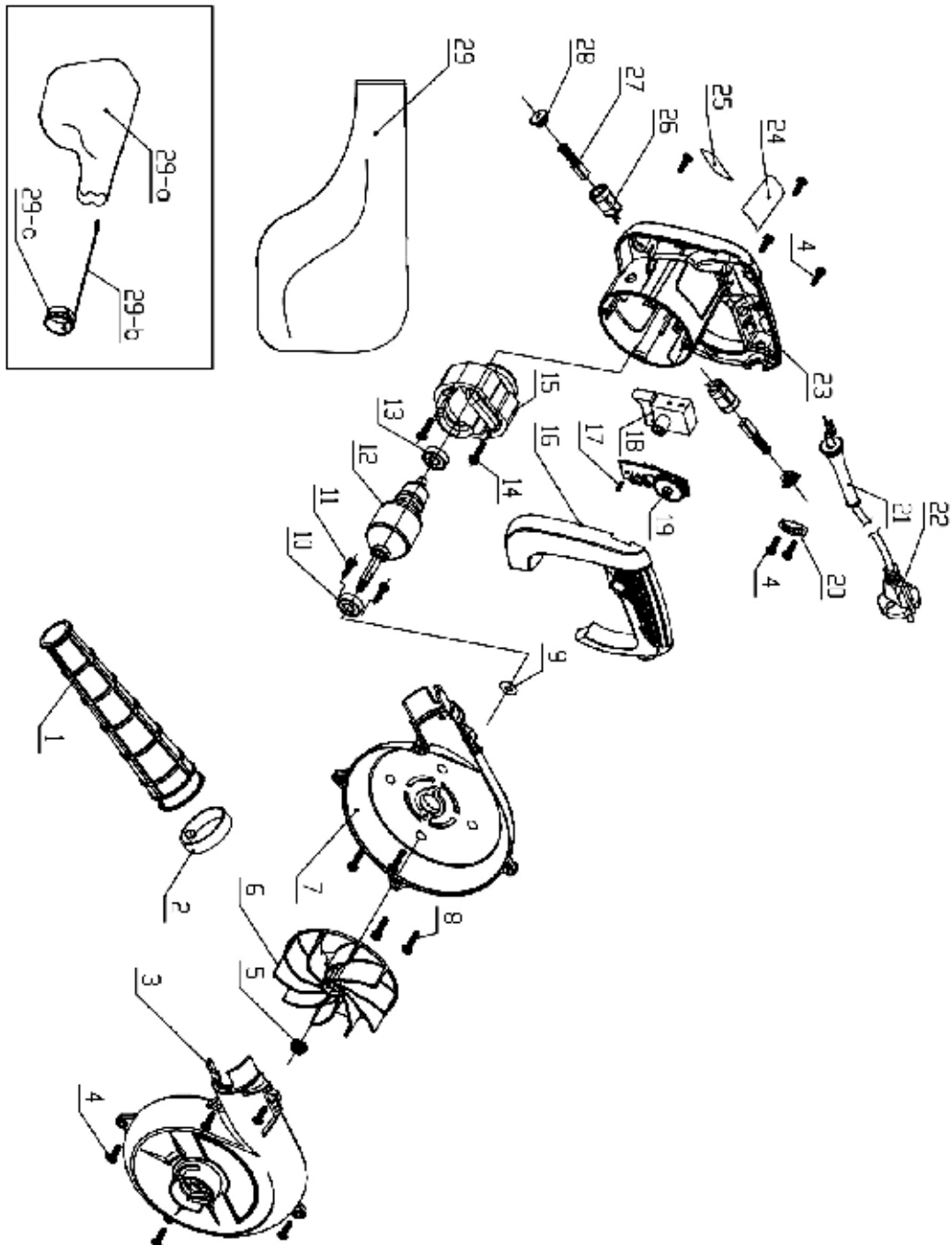
Drg. No.	Part No.	Description	Qty./Tool	Price (₹)
2	224.1.02	Screw	2	20
3	330.1.02	Switch (on Off)	1	328
4	329.1.06	Handle Bottom	1	664
6	360.1.06	Sleeve	1	34
7	403.3.02	Cable Assembly	1	328
8	279.1.05	Clamp Cleat	1	25
9	329.1.10	Handle Top	1	664
10	365.1.15	Bracket	1	44
11	316.1.01	Grommet	2	20
12	278.1.15	Cover	1	20
13	275.1.03	Key	1	34
14	224.1.05	Screw	4	20
15	346.1.05	Inner Casing	1	533
16	348.1.24	Bearing Retainer	1	59
17	272.1.23	Bearing 6201 Zz	1	246
18	230.1.02	Washer	2	20
20	260.1.12	Motor Frame	1	2,393
21	830.3.04	Armature	1	2,734
21	832.3.88	Armature 115v	1	3,282
22	251.9.03	Carbon Brush	1 PAIR	114
23	272.1.22	Bearing 6200 Zz	1	303
24	330.1.03	Switch (speed)	1	328
26	279.1.09	Clamp	1	20
27	394.3.02	Diode Assy.	1	223
29	420.1.01	Nozzle	1	369
30	342.1.03	Coupling	1	59
32	224.1.10	Screw	4	20
35	326.1.08	Impeller	1	710
37	242.1.56	Nyloc Nut	1	34
38	230.1.10	Washer	1	20
39	322.1.22	Shim	3	20
40	346.1.04	Outer Casing	1	502
41	220.1.16	Screw	3	20
42	270.1.09	Gear Plate	1	489
43	231.1.02	Washer	2	20
44	344.1.02	Baffle Plate	1	89
45	820.3.02	Field Coil	1	2,317
45	822.3.49	Field Coil 115v	1	2,780
46	220.1.58	Screw	2	25
47	623.1.53	Inspection Cover	2	50
48	862.3.03	Br Holder Bkt Assy	1	156

Drg. No.	Part No.	Description	Qty./Tool	Price (₹)
50	278.1.11	End Cover	1	84
51	220.1.02	Screw	2	20
52	310.1.06	Spring	2	44
53	224.1.03	Screw 2+4	6	20
55	225.1.02	Screw	4	20
1,33	224.1.04	Screw 4+8	12	20
19,34	224.1.09	Screw 4+4	8	20
28,31,	224.1.01	Screw 1+2+2	5	20
49,25	224.1.0	Screw 2+4	6	20

SPARES ▶

MODEL : RB500

Light Weight Compact Blower (Double Insulated)



MODEL : RB500

Light Weight Compact Blower (Double Insulated)

Drg. No.	Part No.	Description	Qty./Tool	Price (₹)
1	3420.1.02	Wind Pipe	1	43
2	3344.1.10	Wind Pipe Ring	1	15
3	3346.1.05	Left Wind Housing	1	104
4	3224.1.50	Tapping Screw	11	7
5	3241.1.12	Nut	1	7
6	3326.1.09	Fan	1	111
7	3346.1.06	Right Wind Housing	1	104
8	3224.1.51	Tapping Screw	4	7
9	3231.1.49	Pan Washer	1	7
10	272.1.04	Bearing 608 Zz	1	257
11	3224.1.52	Tapping Screw	2	7
12	3830.3.65	Armature	1	692
12	3830.3.55	Armature 115V	1	830
13	272.1.82	Bearing 607 Zz	1	335
14	3324.1.53	Tapping Screw	2	7
15	3820.3.65	Field Coil	1	344
15	3820.3.55	Field Coil 115v	1	413
16	3278.1.27	Handle Cover	1	68
18	3330.1.37	Switch	1	113
19	3501.1.25	Circuit Board	1	418
20	3279.1.32	Cord Clamp	1	7
21	3360.1.68	Cord Jacket	1	14
23	3260.1.29	Motor Mounting	1	189
26	3252.1.26	Brush Holder	2	66
27	3251.9.35	Carbon Brush	1 PAIR	50
28	3253.1.24	Brush Cover	2	8
29	3501.3.01	Dust Bag Assembly	1	111

MODEL : RB500 PRO

Light Weight Compact Blower (Double Insulated)

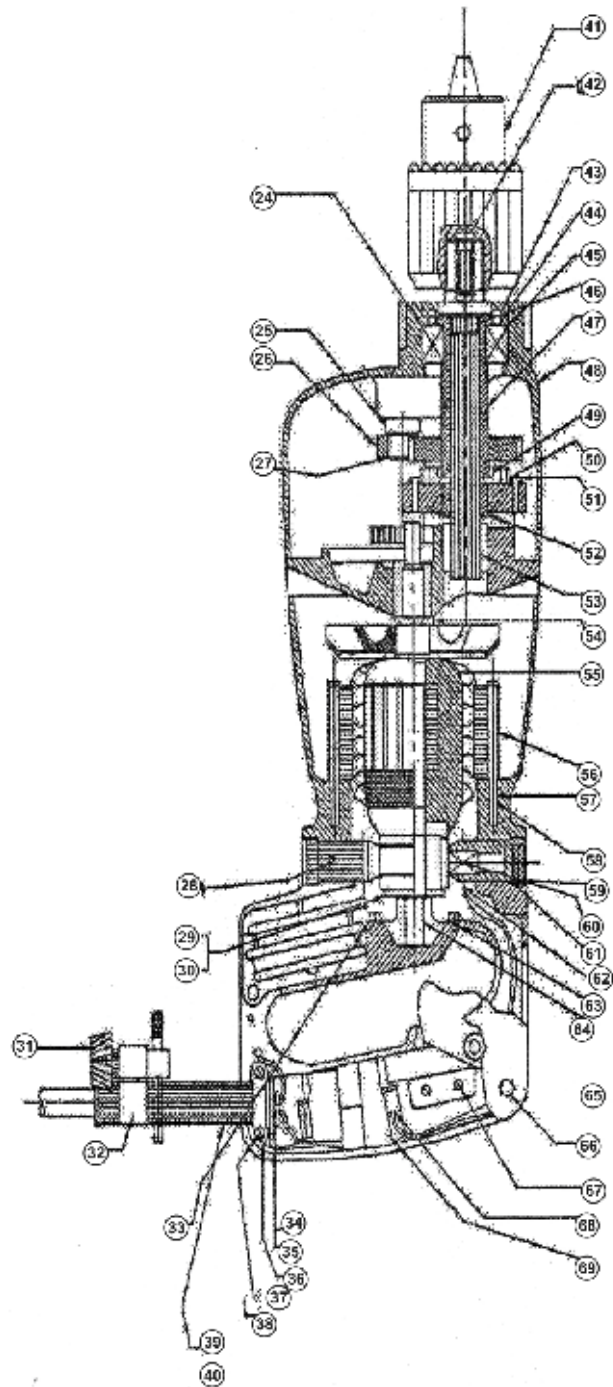
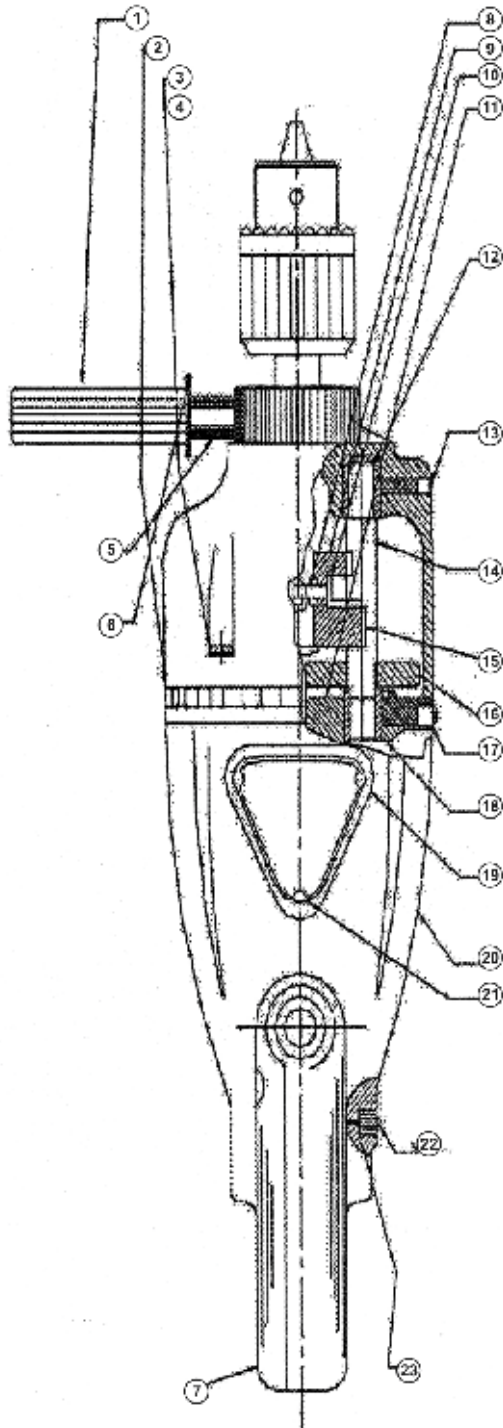
◀ SPARES

Drg. No.	Part No.	Description	Qnty./Tool	Price (₹)
1	2260.1.01	Motor Frame	1	262
2	2252.1.04	Brush Holder	2	26
4	2820.3.12	Field Assy	1	310
5	2224.1.09	S / T Screw 12x38 F/screw	2	5
6	2830.3.14	Armature Assy	1	443
7	272.1.04	Ball Brg (608zz)	2	257
8	2312.1.01	Brg / Lock	2	3
9	230.1.17	Washer	1	20
10	2346.1.02	Inner Casing	1	52
11	2360.1.01	Cable Sleeve	1	5
12	2290.32	Cable	2	50
13	2224.1.06	S / T Screw 10x32	3	2
15	2279.1.01	Cable Clamp	1	4
16	2224.1.04	S / T Screw 8x15	2	1
18	2330.1.01	Switch	1	39
19	2395.1.02	Connector	1	3
20	2278.1.04	Handle Cover	1	73
21	2326.1.02	Impeller	1	52
22	2604.1.01	Nut Mx6	1	1
23	2346.1.03	Outer Casing	1	52
25	2420.1.02	Nozzle	1	52
26	2342.1.01	Nozzle Coupling	1	10
27	2253.1.04	Brush Cap	2	3
28	2251.1.04	Carbon Brush	2	31
29	2348.1.02	Name Plate	1	10
30	2224.1.04	S / T Screw 8x19	4	1
31	2389.3.06	Carton Set	1	65
33	2230.1.01	D Shape Washer	1	1
34	444.1.01	Holograme	1	1
36	405.1.49	Quality Assurance Label	1	1

SPARES ▶

MODEL : TP8

3mm-6mm Portable Tapping Machine





MODEL : TP8

3mm-6mm Portable Tapping Machine

◀ SPARES

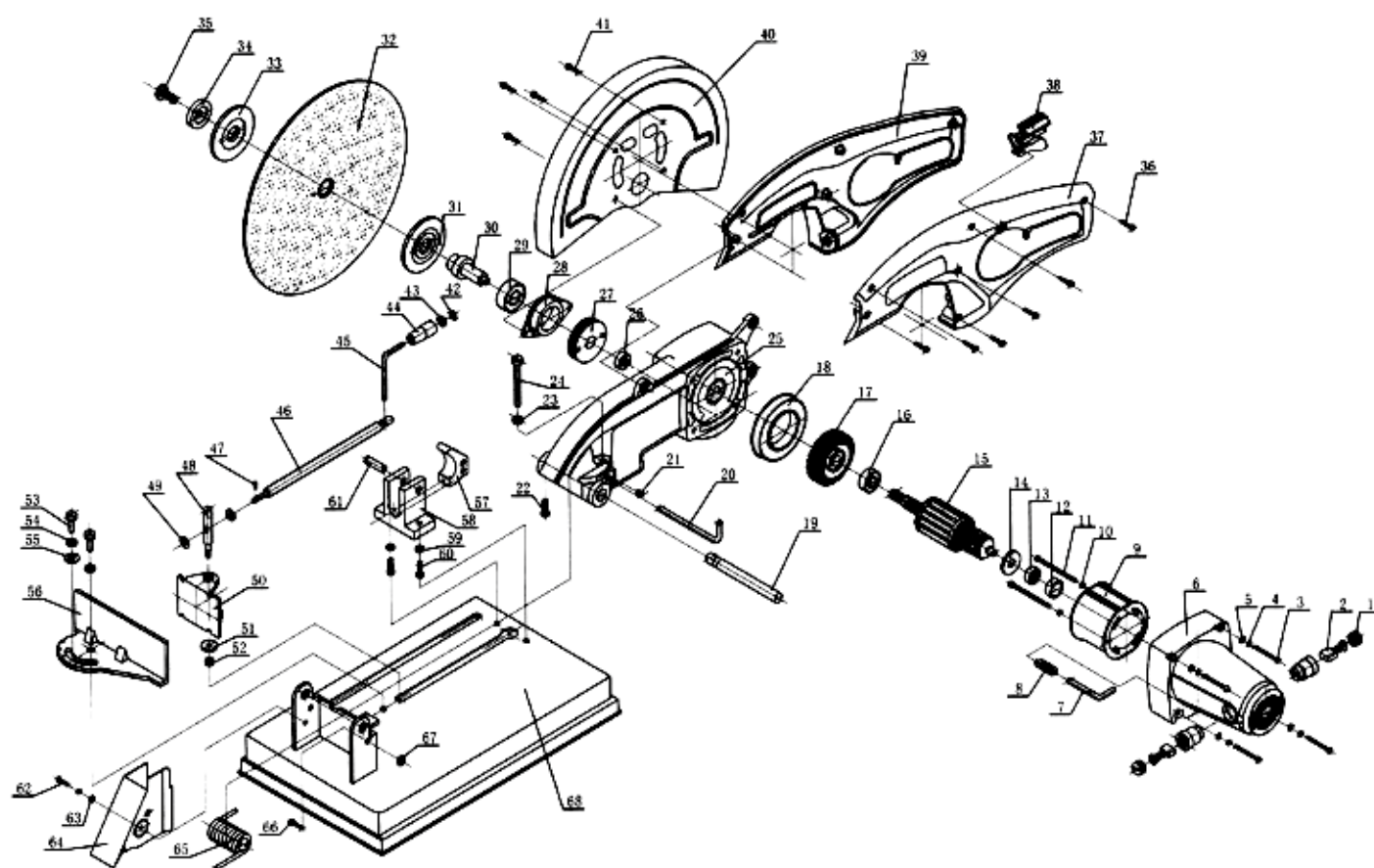
Drg. No.	Part No.	Description	Qty./Tool	Price (₹)
1	329.1.19	Handle	1	418
2	270.1.30	Ig Plate	1	605
3	600.1.47	Screw Handle Cover	4	20
4	231.1.11	Washer For Gear Box	4	20
5	434.1.02	Shroud	1	181
6	510.3.22	Handle Strap Assy.	1	214
7	278.1.63	Switch Cover	1	320
9	300.1.77	Gear	1	513
10	279.1.51	Clamp	1	20
11	401.1.12	Oil Reservoir	1	20
12	274.1.40	Bush Bearing	1	44
14	291.1.02	Inter Gear Spindle	1	345
15	300.1.78	Spindle Gear	1	597
16	300.1.79	Inter Gear	1	256
18	275.1.29	Key	1	50
20	260.1.53	Motor Frame	1	1,569
21	225.1.02	Rivet	3	20
23	401.1.09	Oil Reservoir	3	20
24	322.1.26	Bearing Washer	1	20
25	499.1.27	Idler Pin	1	278
26	300.1.76	Idler Pinion	1	303
27	311.1.06	Circlip	1	20
28	602.1.54	Grub Screw	2	20
29	322.1.21	Bearing Washer	1	20
30	239.1.10	Shim	1	20
31	328.3.09	Chuck & Key	1	1,389
32	279.1.57	Collar	1	65
34	600.1.90	Earthing Screw	1	20
35	606.1.24	Earthing Screw Washer	1	20
36	279.1.43	Cable Clamp Screw	1	25
37	601.1.28	Cable Clamp Screw	2	20
38	232.1.13	Washer	4	20
39	403.3.63	Cable Sub Assly	1	256
40	360.1.32	Sleeve	1	34
41	328.3.06	Chuck	1	1,601
42	602.1.69	Cheese Head Screw	1	14
43	311.1.26	Circlip	1	20
44	311.1.07	Circlip	1	20
45	272.1.65	Bearing	1	294
45	272.1.65	Bearing 6203 Zz	1	294
46	2274.1.03	Bush Bearing	1	223

Drg. No.	Part No.	Description	Qty./Tool	Price (₹)
47	499.1.41	Spindle Sleeve	1	646
48	265.1.51	Gear Box	1	1,594
49	275.1.30	Key	1	59
50	279.1.50	Clamp	1	20
51	220.1.02	Screw	2	20
52	311.1.08	Circlip	1	20
53	291.1.01	Chuck Spindle	1	181
54	322.1.22	Shim	1	20
55	831.3.74	Armature	1	3,470
55	831.3.75	Armature 115v	1	4,165
56	821.3.65	Field Coil	1	1,684
56	821.3.66	Field Coil 115v	1	2,021
57	600.1.69	Field Screw	2	25
58	231.1.12	Spring Washer	2	20
59	253.1.05	Brush Cap	2	34
60	251.9.17	Carbon Brush	1 PAIR	76
61	252.1.28	Brush Holder	2	114
62	239.1.12	Insulation Washer	1	20
63	348.1.39	Bearing Retainer	1	34
64	274.1.31	Bush Bearing	1	50
65	600.1.85	Screw Handle Cover	3	20
66	231.1.16	Switch Cover Screw	3	20
67	224.1.56	Screw	2	20
68	499.1.30	Switch Insulation Paper	1	20
69	330.1.14	Switch	1	303
71	224.1.16	Screw	2	25
8,33	224.1.58	Screw	5	20
47,47	499.3.41	Spindle Sleeve Assy.	1	865
15,32,51	300.3.78	Gear Assembly	1	678
22,13,17	500.1.22	Oil Cup	3	34
48,12,23,13	265.2.51	Gear Box Assembly	1	1,666
2,10,11,17,23,33	270.3.30	Ig Plate Assembly	1	664

SPARES ▶

MODEL : RW14E

355mm Chop Saw





MODEL : RW14E

355mm Chop Saw

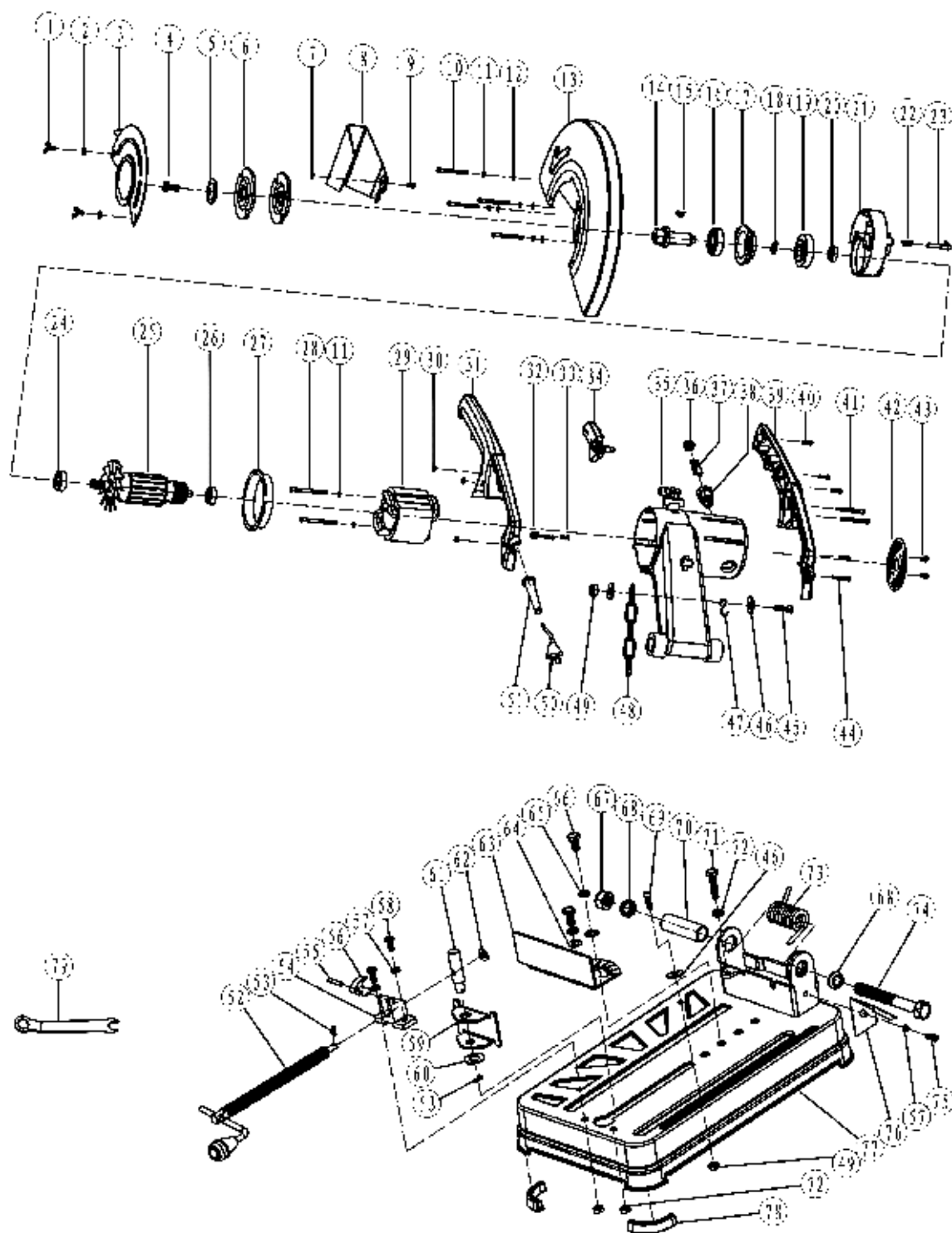
◀ SPARES

Drg. No.	Part No.	Description	Qty./Tool	Price (₹)
1	3253.1.20	Brush Cap	2	29
2	3251.9.28	Carbon Brush	1 Pair	237
3	3224.1.38	Screw	4	20
4	3231.1.41	Spring Washer	4	20
5	3232.1.01	Flat Washer	4	20
6	3260.1.27	Motor Housing	1	789
7	3501.1.04	Locking Bar	1	23
8	3310.1.43	Locking Spring	1	6
9	3820.3.28	Field Assly	1	1,880
9	3820.3.48	Field Assly 115v	1	2,256
10	3231.1.42	Spring Washer	2	38
11	3224.1.42	Screw	2	38
12	3312.1.02	Bearing Sleeve	1	38
13	272.1.96	Bearing 6000 2rs	1	188
14	3233.1.10	Bearing Washer	1	20
15	3830.3.28	Armature	1	2,369
15	3830.3.48	Armature 115 V	1	2,843
16	272.1.43	Bearing 6202 2rs	1	449
17	3326.1.06	Fan	1	47
18	3344.1.08	Fan Guide	1	38
19	3501.1.05	Fixed Shaft	1	103
20	3501.1.06	Stopper	1	38
21	3501.1.07	Bearing Lock	1	20
22	3224.1.43	Screw	1	20
23	3241.1.08	Nut	1	20
24	3604.1.29	Bolt	1	23
25	3265.1.12	Gear Box	1	3,377
26	272.1.96	Bearing 6000 2rs	1	188
27	3300.1.04	Big Gear	1	634
28	3312.1.03	Bearing Cover	1	181
29	272.1.87	Bearing 6204	1	489
30	3291.1.19	Spindle	1	478
31	3409.1.09	Inner Flange	1	130
32	3340.1.11	Grinding Wheel	1	379
33	3409.1.10	Outer Flange	1	130
34	3236.1.01	Washer	1	38
35	3604.1.30	Bolt	1	23
36	3600.1.21	Screw	6	20
37	3329.1.41	Left Handle	1	362
38	3330.1.33	Switch	1	423
39	3329.1.42	Right Handle	1	362

Drg. No.	Part No.	Description	Qty./Tool	Price (₹)
40	3332.1.12	Wheel Guard	1	1,773
41	3600.1.22	Screw	4	20
42	3279.1.23	Spring Clip	1	30
43	3232.1.02	Flat Washer	1	20
44	3360.1.27	Handle Sleeve	1	38
45	3329.1.43	Handle	1	183
46	3501.1.08	Rod	1	718
47	3501.1.09	Pin	1	38
48	3501.1.10	Fixed Shaft	1	57
49	3232.1.03	Flat Washer	2	20
50	3332.1.13	Spark Guard	1	64
51	3232.1.04	Flat Washer	1	20
52	3241.1.09	Nut	1	20
53	3224.1.44	Screw	2	57
54	3231.1.43	Spring Washer	2	38
55	3230.1.05	Flat Washer	1	20
56	3331.1.02	Vice Jaw	1	188
57	3501.1.11	Control Rod	1	152
58	3252.1.13	Brush Holder	1	326
59	3231.1.44	Spring Washer	2	38
60	3600.1.23	Screw	2	38
61	3501.1.13	Pin	1	20
62	3600.1.24	Screw	1	20
63	3230.1.06	Flat Washer	2	20
64	3332.1.14	Guard	1	137
65	3310.1.44	Spring	1	196
66	3600.1.25	Screw	1	30
67	3241.1.10	Nut	1	20
68	3313.1.06	Base	1	3,138

SPARES ▶

MODEL : 23355
355mm Chop Saw





MODEL : 23355

355mm Chop Saw

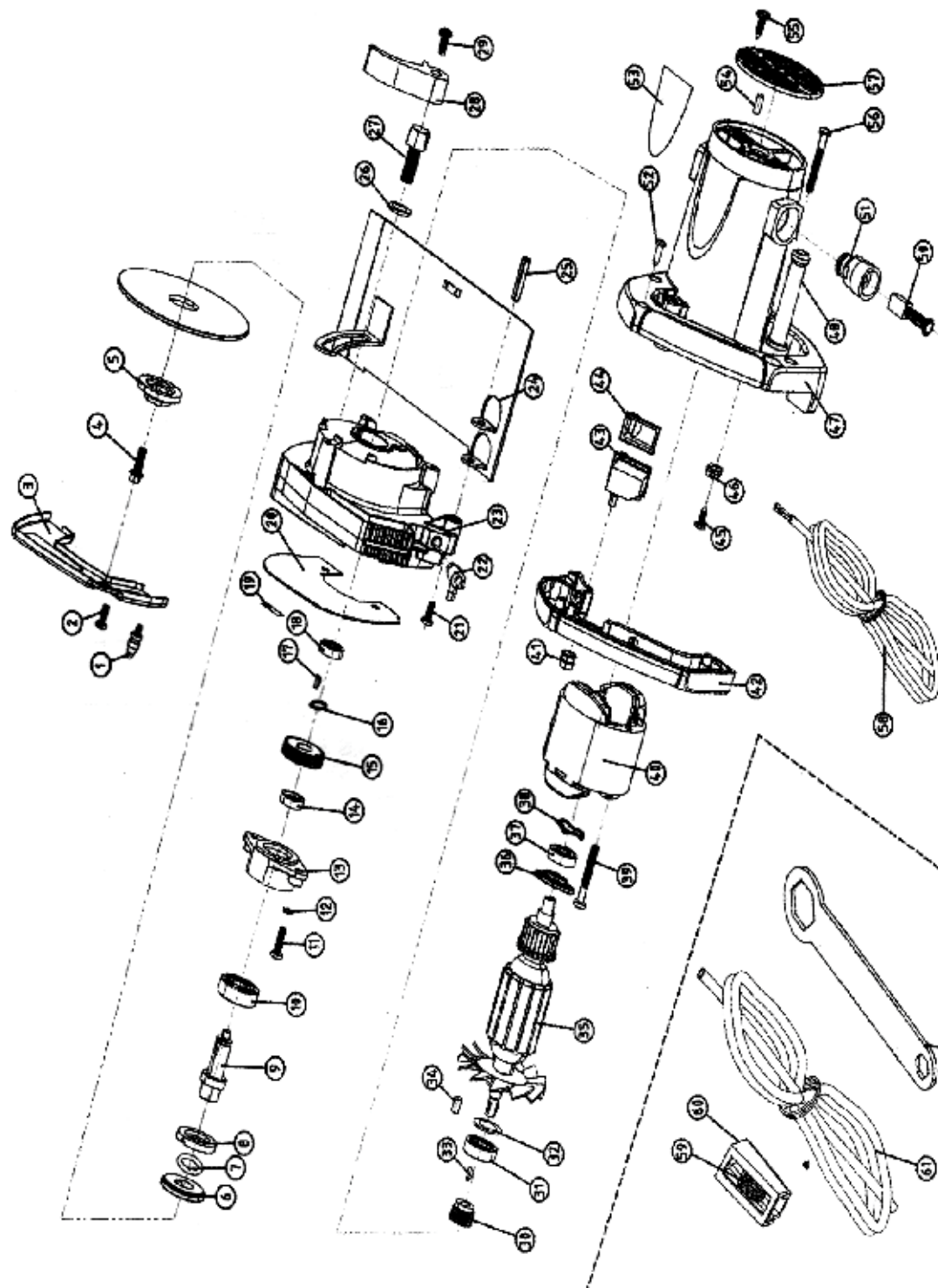
◀ SPARES

Drg. No.	Part No.	Description	Qty./Tool	Price (₹)
1	3222.1.11	Wing Bolt M6*10	2	6
2	3231.1.93	Flat Washer?6	2	4
3	3278.1.62	Small Cover	1	147
4	3326.1.48	Screw M10*20(8-8)	1	6
5	3409.1.31	Small Flange	1	84
6	3409.1.32	Flange	1	295
7	3326.1.49	M5 Nut	1	4
8	3278.1.63	Small Shield	1	84
9	3326.1.50	Screw M5*10	1	4
10	3326.1.51	Screw M5*55	4	11
11	3231.1.94	Washer	6	4
12	3231.1.95	Spring Washer	4	4
13	3332.1.28	Wheel Cover	1	842
14	3291.1.42	Spindle	1	189
15	3275.1.41	Key 5*6.5*16	1	6
16	272.1.87	Bearing 6204rs	1	489
17	3270.1.37	Front Cover	1	126
18	3311.1.86	?20 Circlip For Shaft	1	6
19	3300.1.39	Big Gear	1	295
20	272.1.96	Bearing 6000rs	1	188
21	3270.1.38	Middle Cover	1	316
22	3310.1.97	Lock Spring	1	11
23	3502.1.30	Self-lock Pin	1	11
24	272.1.43	Bearing 6202rs	1	449
25	3831.3.10	Armature (std V)	1	2,105
26	272.1.22	Bearing 6200rs	1	303
27	3344.1.23	Baffle	1	32
28	3326.1.52	Screw M5*80	2	17
29	3821.3.10	Stator (std V)	1	1,578
30	3326.1.53	Nut M5	3	6
31	3329.2.01	Right Handle	1	126
32	3503.1.19	Pressure Line Board / Cable Clamp	1	6
33	3326.1.54	Screw St4*14	2	4
34	3330.1.64	Switch	1	189
35	3260.1.45	Motor Housing	1	1,052
36	3253.1.37	Brush Cover/Brush Holder Cap	2	13
37	3251.9.60	Carbon Brush	1 Pair	126
38	3252.1.51	Brush Holder	2	189
39	3329.2.02	Left Handle	1	126
40	3326.1.55	Screw M5	4	6
41	3326.1.56	Screw M5*50	2	6

Drg. No.	Part No.	Description	Qty./Tool	Price (₹)
42	3278.1.64	Back Cover	1	42
43	3326.1.57	Screw M5*10	2	4
44	3326.1.58	Screw M5*30	1	6
45	3326.1.59	Screw M6*25	1	6
46	3231.1.96	Big Washer?6	2	6
47	3503.1.20	Chain Hook	1	11
48	3503.1.21	Chain	1	32
49	3326.1.60	Screw M6	1	6
50	3290.1.10	Cable	1	316
51	3503.1.22	Conical Sheath/ Cable Sleeve	1	13
52	3503.1.23	Vice Assembly	1	442
53	3503.1.24	3mm Pin	2	11
54	3503.1.25	Fast Bars Base	1	95
55	3310.1.98	Spring Pin?6*30	1	8
56	3604.1.54	Quick Nut	1	84
57	3231.1.97	Spring Washer?8	2	4
58	3326.1.61	Screw M8*25	2	6
59	3503.1.26	Locking Block	1	74
60	3231.1.98	Flat Washer?12	1	4
61	3503.1.27	Small Cross Pin	1	53
62	3231.1.99	Flat Washer?8*22	1	6
63	3503.1.28	Graduated Plate	1	210
64	3232.1.14	Flat Washer?10	2	4
65	3232.1.15	Spring Washer?10	2	4
66	3326.1.62	Screw M10*20	2	4
67	3326.1.63	M16 Nut	1	8
68	3232.1.16	Bowl Washer?16.5	2	4
69	3326.1.64	Screw Bolt M6*20	1	6
70	3503.1.29	Shaft Of Bracket	1	53
71	3326.1.65	Screw M8*40	1	6
72	3326.1.66	Nut M8	1	4
73	3310.1.99	Spring	1	95
74	3326.1.67	Screw M16*170	1	63
75	3326.1.68	Screw M8*12	1	6
76	3332.1.29	Guard	1	74
77	3313.1.14	Base	1	1,578
78	3420.1.05	Rubber Foot	1	11
79	3399.1.37	Spanner	1	42

SPARES ▶

MODEL : RW110
110mm / 125mm Marble Cutter



MODEL : RW110

110mm / 125mm Marble Cutter

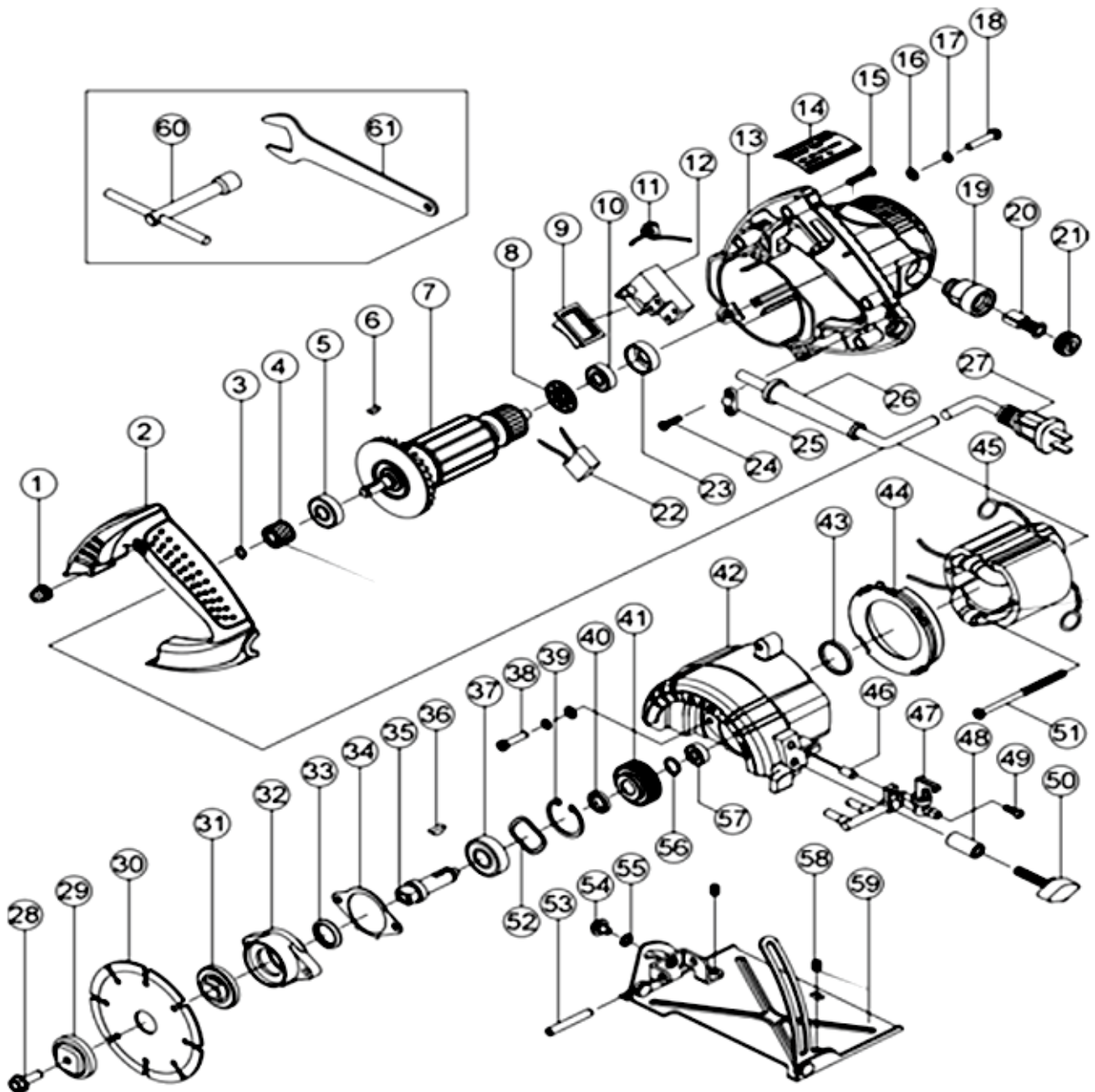
◀ SPARES

Drq. No.	Part No.	Description	Qty./Tool	Price (₹)
1	3600.1.02	Faucet(Copper)	1	15
3	3278.1.13	Head Case Cover	1	148
4	3225.1.25	Screw M7x16	1	15
5	3600.1.03	Outer Flange	1	22
6	3600.1.04	Inner Flange	1	22
7	3311.1.51	O Ring Ø22x2	1	7
8	3600.1.05	Bearing Retaining Plate	1	15
9	3291.1.18	Spindle	1	100
10	272.1.23	Bearing 6201 Zz	1	246
13	3278.1.20	Front Cover	1	91
14	3600.1.20	Shaft Sleeve	1	21
15	3306.1.41	Big Gear	1	78
20	3278.1.14	Small Cover	1	76
22	3600.1.06	Faucet (plastic)	1	15
23	3600.1.07	Head Case	1	470
24	3600.3.01	Baseplate Assembly	1	245
25	3323.1.21	Elastic Cylindric Pin Ø6x32	1	7
27	3225.1.28 A	Hexagonal Screw Mrx1s	1	22
28	3600.1.08	Depth Adjustment Lever	1	15
30	3306.1.42	Small Gear	1	71
31	272.1.19	Bearing 629 Zz	1	354
32	3231.1.38	Flat Washer Øs9xØhxs.s	1	7
33	3275.1.28	Woodruff Kev 2sxuo	1	7
34	3323.1.22	Rubber Pin Øsx8	1	7
35	3830.3.26	Armature	1	1,086
35	3830.3.46	Armature 115v	1	1,303
36	3231.1.39	Insulation Washer	1	15
37	272.1.04	Bearing 608 Zz	1	257
38	3231.1.40	Wave Washer 21.5xØ1	1	7
40	3820.3.26	Field. Assly.	1	1,040
40	3820.3.46	Field. Assly. 115v	1	1,247
41	3278.1.15	Switch Cover (small)	1	7
42	3278.1.16	Handle Cover	1	78
43	3330.1.31	Switch	1	78
44	3278.1.17	Switch Cover (big)	1	15
46	3600.1.09	Strain Relief Clamp	1	7
47	3600.1.10	Plastic Housing	1	339
48	3279.1.21	Cord Guard	1	15
49	3253.1.18	Carbon Brush Cap	2	46
50	3251.9.26	Carbon Brush	1 PAIR	80
51	3252.1.20	Carbon Brush Holder	2	91

Drq. No.	Part No.	Description	Qty./Tool	Price (₹)
55	3225.1.30	Screw St5xbo	2	16
56	3225.1.35	Screw M5xso	3	15
57	3278.1.18	Rear Cover	1	43
60	3600.1.12	Water Adjustment Valve	1	15
61	3600.1.13	Water Tube	1	22
62	3600.1.1	Spanner	1	16

SPARES ►

MODEL : RW125
125mm Marble Cutter



MODEL : RW125
125mm Marble Cutter

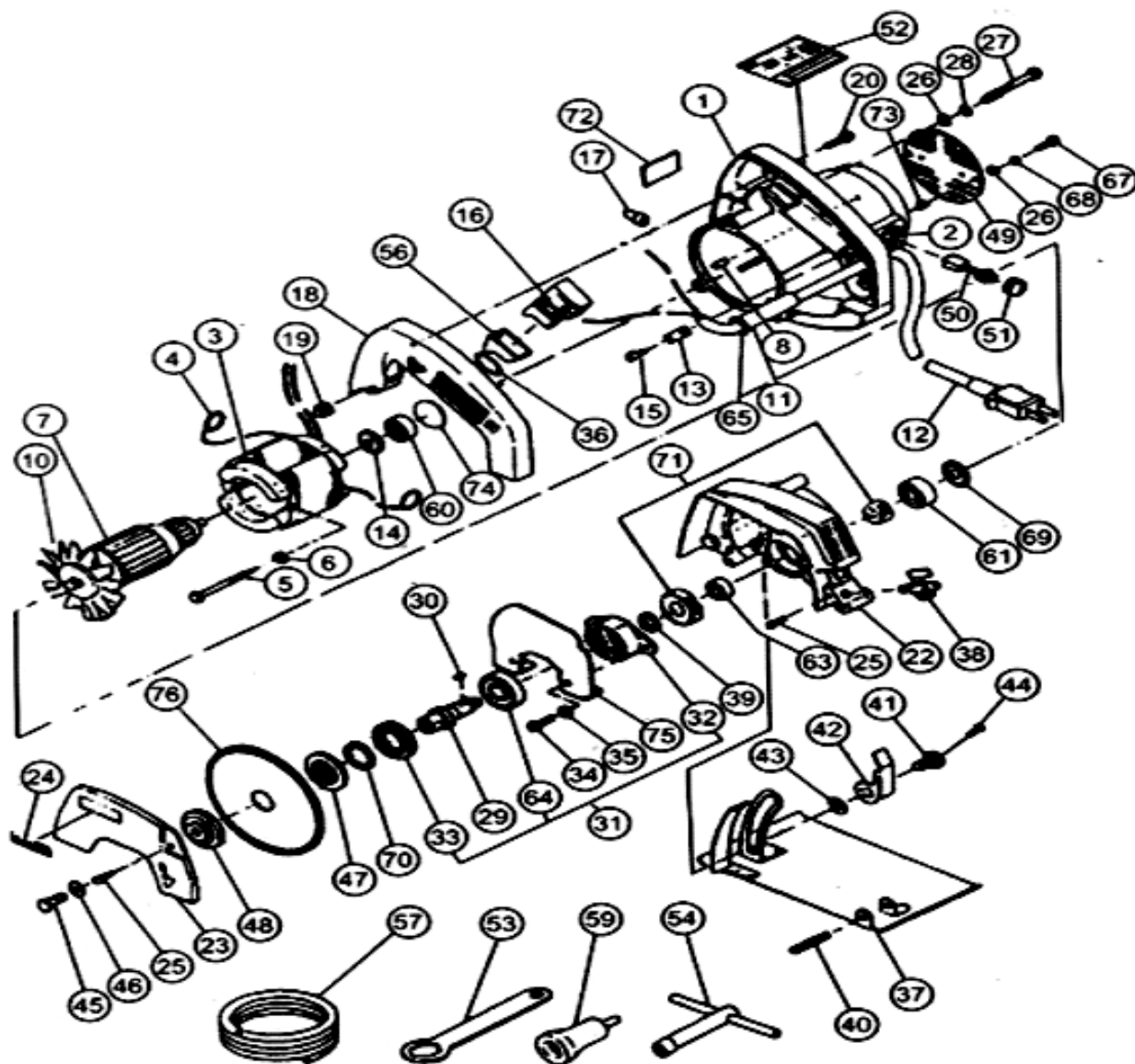
◀ SPARES

Drg. No.	Part No.	Description	Qty./Tool	Price (₹)
1	3502.1.07	Knob	1	9
2	3278.1.40	Handle Cover	1	91
4	3300.1.16	Small Gear	1	129
5	272.1.19	Bearing 629	1	354
6	3275.1.32	Key	1	7
7	3830.3.74	Armature Assy 235v	1	847
7	3830.3.84	Armature Assy 115v	1	1,016
8	3327.1.23	Dust Seal	1	110
9	3329.1.24	Switch Seal	1	15
10	272.1.04	Bearing 608	1	257
12	3330.1.47	Switch	1	75
13	3260.1.33	Frame	1	393
15	3224.1.95	Screw	4	13
18	3224.1.96	Screw	3	9
19	3252.1.34	Brush Holder	2	105
20	3251.9.43	Carbon Brush	1 PAIR	80
21	3253.1.27	Brush Cap	2	63
23	3312.1.07	Bearing Cover	1	76
24	3224.1.97	Screw	2	7
25	3279.1.37	Cable Clip	1	13
26	3360.1.80	Cable Sleeve	1	15
27	290.44	Cable	1	242
28	3224.1.98	Screw(i.h)	1	9
29	3409.1.14	Outer Flange	1	34
31	3409.1.15	Inner Flange	1	34
32	3270.1.31	Front Cover	1	61
33	3327.1.23A	Seal	1	15
34	3398.1.09	Gasket	1	9
35	3290.1.06	Spindle	1	91
36	3275.1.33	Woodruff Key	1	7
38	3224.1.99	Screw	2	7
39	3311.1.62	Circlip	1	7
40	3311.1.61	Spaclip	1	7
41	3300.1.15	Gear	1	166
42	3265.1.15	Gear Box	1	453
43	3431.1.73	O-ring	1	7
44	3344.1.12	Baffle Plate	1	46
45	3820.3.74	Field Assy 235v	1	750
45	3820.3.84	Field Assy 115v	1	900
46	3501.1.40	Pin	1	7
47	3501.1.41	Tap	1	46

Drg. No.	Part No.	Description	Qty./Tool	Price (₹)
48	3321.1.13	Spacer	1	22
49	3225.1.02	Screw	1	7
50	3502.1.08	Long Knob	1	24
51	3225.1.03	Screw	1	7
52	3233.1.12	Preload Washer	1	7
53	3501.1.42	Pin	1	13
54	3225.1.04	Screw	1	7
56	3311.1.63	Circlip	1	7
57	3272.1.01	Bearing 606	1	399
58	3225.1.05	Screw	2	7
59	3313.1.10	Base Plate	1	242
60	3399.1.30	Box Spanner	1	34
61	3399.1.31	Spanner	1	55

SPARES ▶

MODEL : RC4
125mm Marble Cutter





MODEL : RC4
125mm Marble Cutter

◀ SPARES

Drg. No.	Part No.	Description	Qty./Tool	Price (₹)
1	2385.1.01	Housing	1	314
2	2252.1.05	Brush Holder	2	39
3	2820.3.17	Stator Assy	1	562
4	2395.1.03	Spring Connector	2	8
5	2224.1.10	Tapping Screw D5*60	2	4
6	2230.1.03	Washar	2	1
7	2830.3.17	Armature Assy	1	715
8	2312.1.02	Bearing Lock	2	1
10	2275.1.01	Woodruff Key	1	2
11	2360.1.02	Cord Armor	1	7
12	2290.3.3	Cord	1	105
13	2279.1.02	Cord Clip	1	2
14	2230.1.04	Dust Washer	1	5
15	2224.1.11	Tapping Screw D4*16	2	1
16	2330.1.02	Switch	1	31
17	2395.1.04	Connector	2	2
18	2329.1.02	Handle Cover	1	26
19	2278.1.05	Rubber Cover B	1	10
20	2224.1.12	Tapping Screw D4*20	3	2
22	2270.1.05	Gear Cover	1	275
23	2270.1.06	Cutter Cover	1	20
24	2348.1.04	Brand Label	1	5
25	2224.1.13	Machine Screw M5*20	1	5
26	2230.1.05	Washar	1	1
27	2224.1.14	Machine Screw M5*20	3	2
28	2232.1.01	Spring Lock Washer	2	1
29	2290.1.03	Spindle	1	68
30	2275.1.02	Woodruff Key-big	1	2
31	2275.1.03	Bearing Holder Key	1	13
32	2348.1.05	Bearing Holder	1	52
33	2348.1.06	Bearing Cap	1	5
34	2224.1.15	Machine Screw M5*20	2	2
35	2232.1.02	Spring Lock Washer	2	1
36	2431.1.01	O Ring	1	3
37	2313.1.02	Base	1	118
38	2401.1.05	Peacock	1	10
39	2615.1.01	Distance Collar	1	8
40	2533.1.01	Roll Pin	1	5
41	2604.1.04	Left Hand Hex Bolt	1	8
42	2401.1.01	Lever	1	16
43	2230.1.06	Washer	1	3

Drg. No.	Part No.	Description	Qty./Tool	Price (₹)
44	2224.1.16	Tapping Screw M4*8	1	3
45	2604.1.05	Left Hand Hex Bolt	1	8
46	2230.1.07	Washer	1	3
47	2230.1.08	Washer B	1	37
48	2230.1.09	Washer A	1	37
49	2278.1.06	Tail Cover	1	10
50	2251.1.05	Carbon Brush	2	34
51	2253.1.05	Brush Cap	2	5
52	2348.1.07	Label	1	13
53	2399.1.06	Spanner	1	16
54	2399.1.07	Wrench	1	29
56	2278.1.07	Rubber Cover A	1	10
57	2401.1.02	Hose	1	13
59	2395.1.05	Rubber Connector	1	13
60	272.1.04	Ball Bearing 608	1	257
61	272.1.19	Ball Bearing 629	1	354
63	272.1.21	Ball Bearing 626	1	258
64	272.1.23	Ball Bearing 6201	1	246
65	2431.1.02	O Ring	1	3
67	2224.1.17	Machine Screw M5*14	2	3
68	2232.1.03	Spring Lock Washer	2	1
69	2401.1.03	Dust Seal B	1	5
70	2431.1.03	X Ring	1	1
71	2302.1.02/03	Gear & Pinion Assy	1	157
72	2401.1.04	Seal Packing	1	3
73	2224.1.18	Hex Screw M5*6	1	3
74	2312.1.03	Bearing Seal	1	3
75	2278.1.08	Cover-d Plat	1	18

MODEL : RG2100

Heat Gun

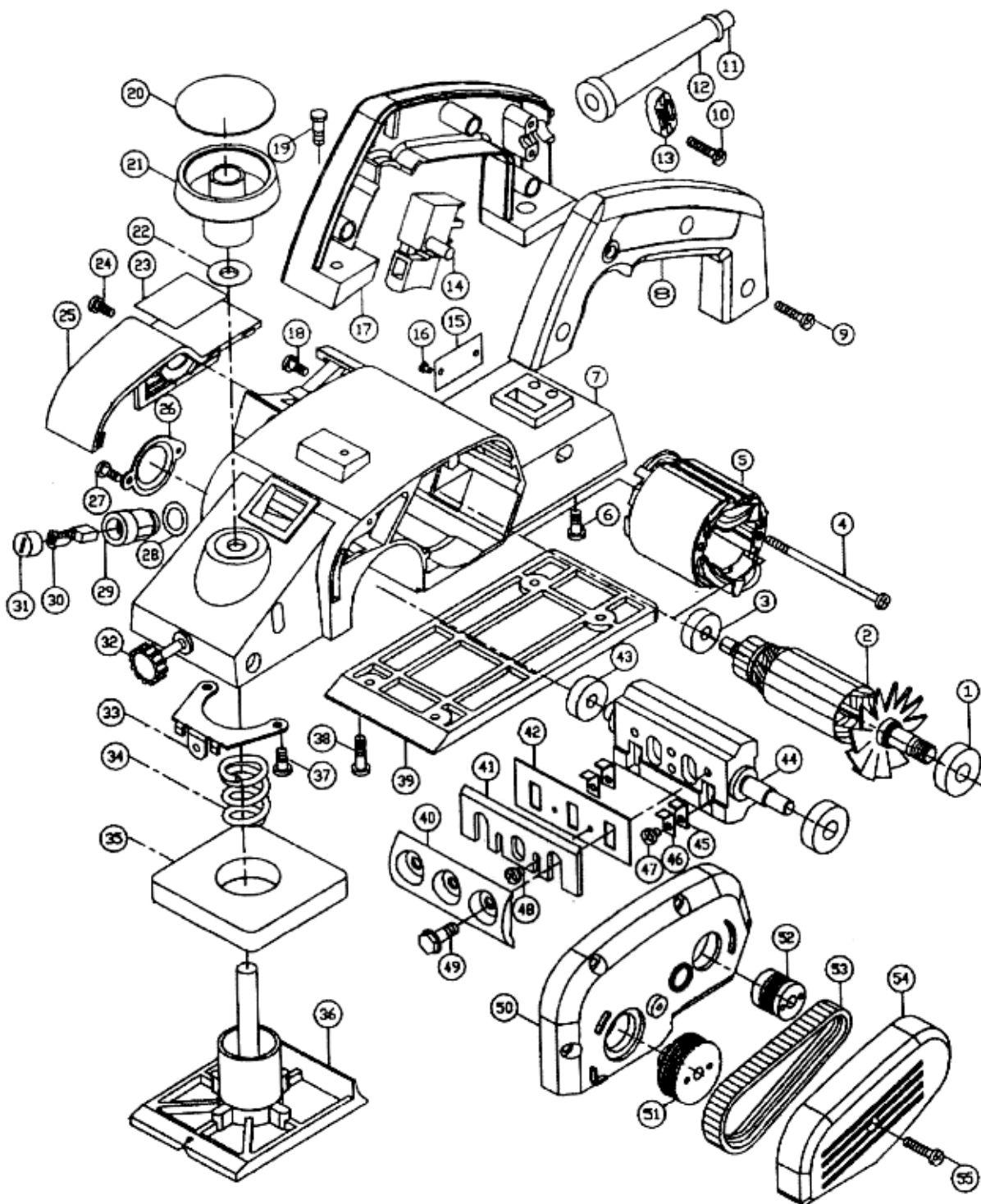
◀ SPARES

Drg. No.	Part No.	Description	Qty./Tool	Price (₹)
1	2 9 0 . 4 3	Power Cable	1	260
2	3360.1.78	Cord Sleeve	1	22
3	2 4 5 . 0 1	Internal Wire	1	22
4	3317.1.04	Terminal Capacitor	1	22
6	3330.1.46	Switch	1	151
7	3394.1.01	Diode	1	22
8	3501.1.38	Rectifier	1	110
9	3970.3.02	Motor	1	239
10	3224.1.90	Screw M2.5x4	2	7
11	3224.1.91	Screw St3x13	1	7
12	3313.1.09	Motor Base	1	22
13	3326.1.10	Fan Shutter	1	22
14	3326.1.11	Fan	1	22
15	3224.1.92	Screw St3x10	3	7
16	3278.1.38	Fan Cover	1	22
17	3239.1.01	Insulator	1	22
18	3309.1.01	Heat Assembly	1	347
19	3501.1.39	Mica Paper	1	43
20	2 6 9 . 0 1	Tube	1	217
21	3278.1.39	Front Cover	1	66
22	3329.1.63	Handle Grip	1	43
23	3224.1.93	Screw St3x14	2	7
24	3360.1.79	Cord Pressure Board	1	9
25	3385.1.14	Housing Left	1	110
26	3224.1.94	Screw St3x16	6	7
27	3350.1.32	Label	2	22
28	3385.1.15	Housing Right	1	110



SPARES ▶

MODEL : RW2-82 2-82mm Wood Planner



MODEL : RW2-82
2-82mm Wood Planner

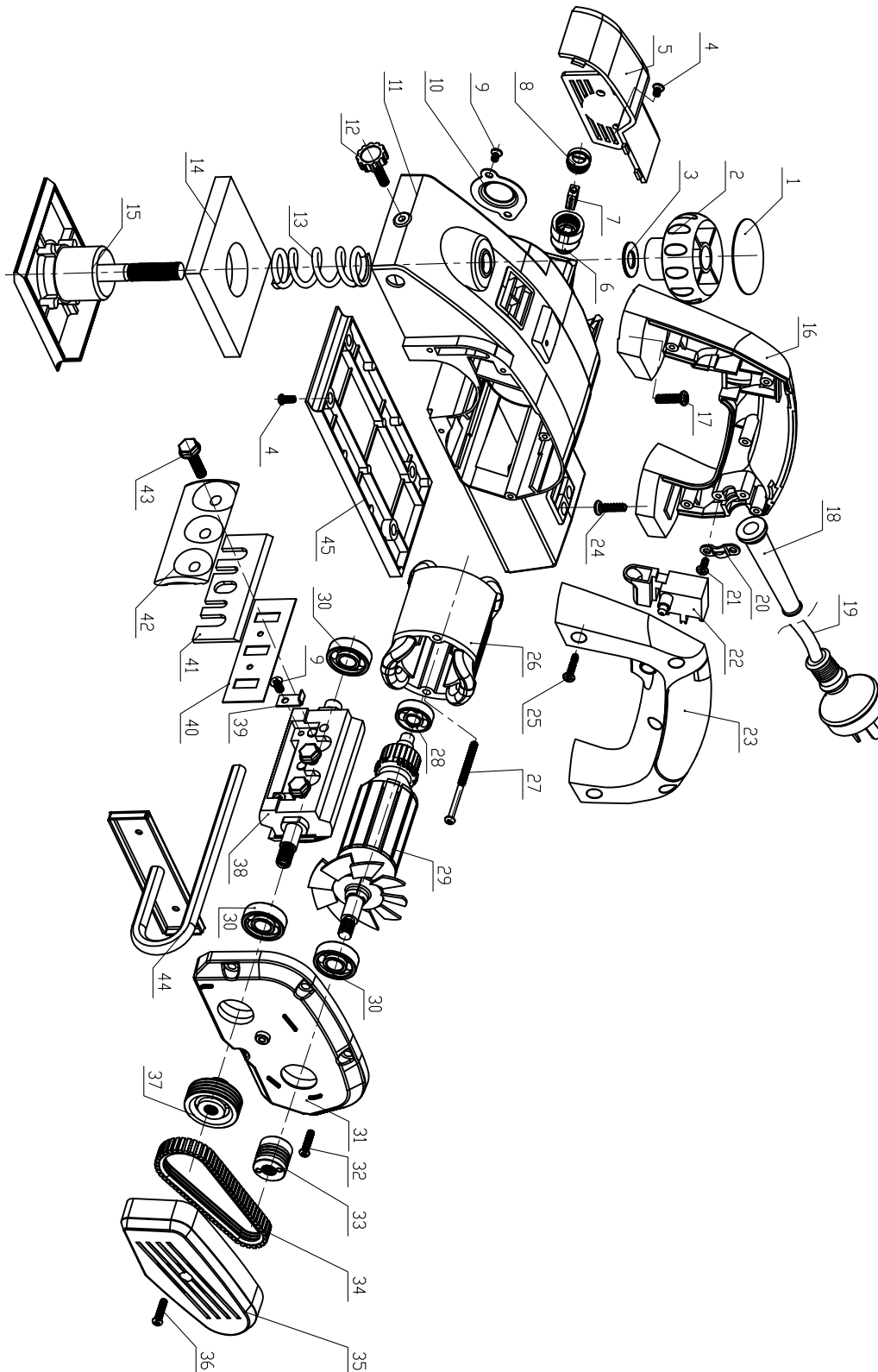
◀ SPARES

Drg. No.	Part No.	Description	Qty./Tool	Price (₹)
2	3830.3.23	Armature Assly	1	1,329
2	3830.3.43	Armature Assly 115v	1	1,595
3	272.1.04	Bearing 608 Zz	1	257
4	3225.1.15	Screw	2	16
5	3820.3.23	Field Assly	1	820
5	3820.3.43	Field Assly 115v	1	984
6	3225.1.16	Screw	4	16
7	3260.1.16 A	Housing	1	1,610
8	3329.1.26	Left Handle	1	148
9	3225.1.17	Screw	3	16
10	3225.1.18	Screw	1	16
12	3360.1.13	Cable Sleeve	1	112
13	3279.1.16	Cable Clamp	1	23
14	3330.1.23	Switch	1	222
16	3225.1.19	Rivet	2	16
17	3329.1.27	Right Handle	1	148
18	3225.1.20	Screw	2	16
19	3225.1.21	Screw	2	16
20	3511.1.33	Depth Scale	1	38
21	3511.1.34	Depth.ad.knob	1	141
22	3231.1.05	Washer	1	16
24	3225.1.22	Screw	2	16
25	3511.1.35	Bits Guided Cover	1	148
26	3348.1.12	Brg.retainer	1	112
27	3225.1.23	Screw	2	16
28	3231.1.06	Insulation Washer	1	76
29	3252.1.19	Brush Holder	2	67
30	3251.9.18	Carbon Brush	1 PAIR	97
31	3253.1.18	Brush Holder Cap	2	46
32	3511.1.36	Knob	1	66
33	3511.1.37	Guide Bracket	1	112
34	3310.1.33	Spring	1	76
35	3231.1.07	Washer	1	38
36	3511.1.38	Front Board	1	406
37	3225.1.26	Screw	2	16
38	3225.1.27	Screw	4	16
39	3511.1.39	Rear Board	1	318
40	3511.1.40	Cover Board	1	148
41	3511.1.41	Blade	1	328
42	3278.1.13	Knife Cover	1	148
43	272.1.96	Bearing 6000 Zz	2	188

Drg. No.	Part No.	Description	Qty./Tool	Price (₹)
44	3511.1.42 A	Blade C.axle	1	673
45	3511.1.43	Bracket	2	16
46	3310.1.34	Spring	2	35
47	3225.1.28	Screw	2	16
48	3225.1.29	Screw	2	16
49	3225.1.30	Screw	3	16
50	3511.1.44	Side Board	1	334
51	3511.1.45	Big. B Pulley(51+52)	1	148
52	3511.1.46	Small B.pulley	1	76
53	3511.1.47	Belt	1	148
54	3278.1.14	Belt Cover	1	76
55	3225.1.31	Screw	1	16
1,56	272.1.22	Bearing 6200 Zz	2	303

SPARES ▶

MODEL : 28200
2-82mm Wood Planner



MODEL : 28200
2-82mm Wood Planner

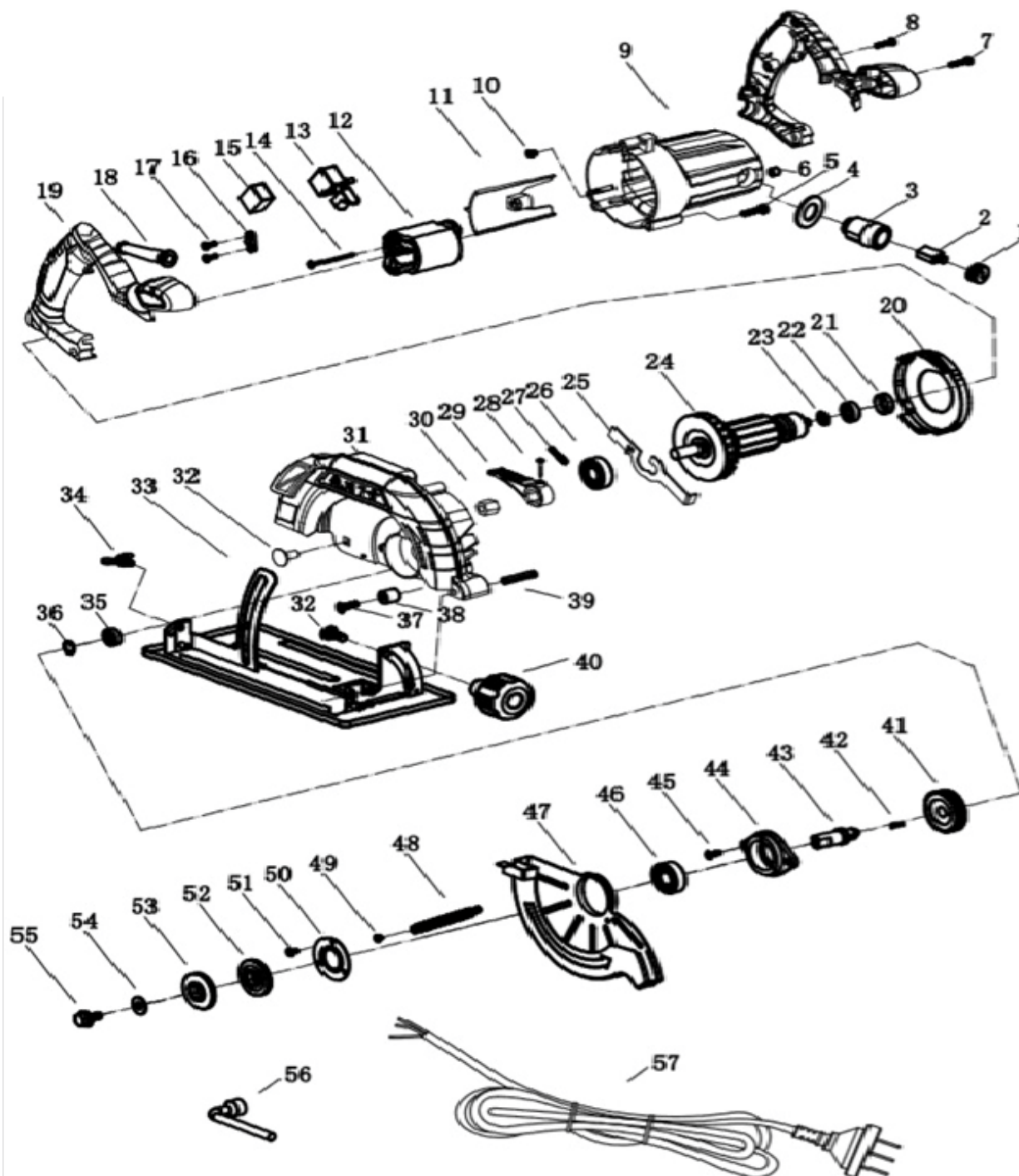
◀ SPARES

Drq. No.	Part No.	Description	Qty./Tool	Price (₹)
1	3502.1.17	Scale Plate	1	6
2	3502.1.18	Adjusting Knob	1	31
3	3231.1.92	Flat Washer	1	2
4	3226.1.22	Pan Head Tapping	6	6
		Screw St4.2x15		
5	3502.1.19	Chip Cover	1	18
6	3252.1.48	Carbon Brush Holder	2	31
7	3251.9.57	Carbon Brush	1 PAIR	44
8	3253.1.33	Carbon Brush Cap	2	15
9	3226.1.23	Pan Head Tapping	7	2
		Screw St4.2x8		
10	3312.1.20	Bearing Cover	1	7
11	3260.1.42	Motor Housing	1	559
12	3226.1.24	Screw	1	6
13	3310.1.91	Compression Spring	1	15
14	3240.1.07	Rubber Packing	1	16
15	3313.1.12	Front Base	1	113
16	3329.1.92	Right Handle	1	60
17	3226.1.25	Screw M5x16	1	4
18	3362.1.02	Cord Guard	1	6
19	3860.1.08	Cord	1	107
20	3240.1.08	Strain Relief	1	2
21	3226.1.26	Pan Head Tapping	2	2
		Screw St4.2x15		
22	3330.1.60	Trigger Switch	1	31
23	3329.1.93	Left Handle	1	60
24	3226.1.25	Screw M5x16	2	4
25	3226.1.27	Pan Head Tapping	5	8
		Screw St4.2x20		
26	3821.3.07	Field Assly	1	395
26	3821.3.57	Field Assly 110V	1	474
27	3226.1.28	Pan Head Tapping	2	4
		Screw St4.2x60		
28	272.1.04	Ball Bearing 608	1	257
29	3831.3.07	Armature Assembly	1	568
29	3831.3.57	Armature Assembly 110V	1	682
30	272.1.96	Ball Bearing 6000	3	188
31	3365.1.16	Bracket	1	148
32	3226.1.29	Pan Head Tapping	5	2
		Screw St4.2x25		
33	3335.1.01	V-pulley(samll)	1	31

Drq. No.	Part No.	Description	Qty./Tool	Price (₹)
34	3335.1.02	Poly V-belt	1	27
35	3335.1.03	Belt Cover	1	24
36	3226.1.29	Pan Head Tapping	1	2
		Screw St4.2x25		
37	3335.1.04	V-pulley(big)	1	29
38	3335.1.05	Drum	1	230
39	3502.1.22	Plate	1	18
40	3502.1.23	Adjusting Plate	1	18
41	3502.1.20	Blade	2	119
42	3502.1.21	Drum Plate	2	44
43	3222.1.10	Hex Flange Head Bolt M6x22	6	17
44	3335.1.06	Safe Guard Ruller	1	51
45	3313.1.13	Rear Base	1	148

SPARES ▶

MODEL : RS180 NEW
180mm Circular Saw



MODEL : RS180 NEW

180mm Circular Saw

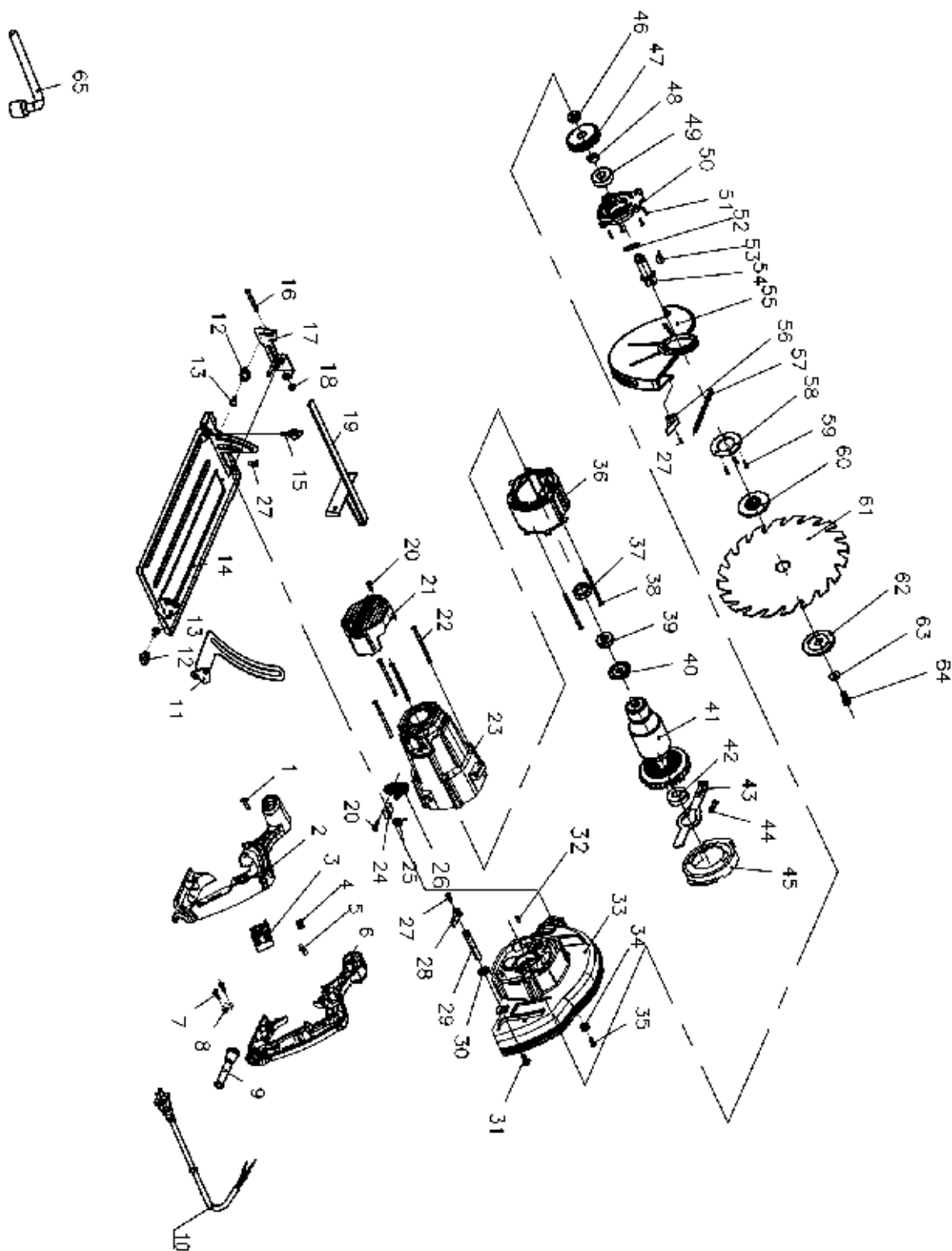
◀ SPARES

Drg. No.	Part No.	Description	Qty./Tool	Price (₹)
1	3352.1.14	Brush Holder Cover	1	13
2	3251.9.48	Carbon Brush	1 Pair	122
3	3252.1.15	Brush Holder	2	296
4	3239.1.02	Washer For Brush Holder	2	7
5	3225.1.50	Screw For Housing Fix	1	3
6	3225.1.51	Screw For Brush Holder Fix	2	7
7	3225.1.52	Screw For Handle Fix	1	3
8	3329.1.02	Handle	1	145
9	3260.1.36	Motor Housing	1	896
10	3225.1.53	Screw For Earth Wire	1	3
11	3420.1.03	Wind Guide	1	33
12	3820.3.79	Field (235v)	1	1,215
12	3820.3.89	Field (115v)	1	1,457
13	3330.1.52	Switch	1	103
14	3225.1.54	Screw For Field	1	3
15	3327.1.29	Switch Sleeve	1	3
16	3279.1.41	Cord Clip	1	7
17	3225.1.55	Screw For Cord Clip	1	3
18	3360.1.83	Cord Sleeve	1	7
19	3329.1.68	Handle	1	145
20	3420.1.04	Wind Ring	1	64
21	3312.1.12	Bearing Sleeve	1	16
22	272.1.04	Bearing (608zz)	1	257
23	3312.1.13	Bearing Washer	1	3
24	3830.3.79	Armature (235v)	1	1,759
24	3830.3.89	Armature (115v)	1	2,112
25	3421.1.01	Self- Locking	1	16
26	272.1.59	Bearing (6001zz)	1	281
27	3310.1.67	Self Locking Spring	1	3
28	3225.1.62	Screw For Locking Knob	1	3
29	3339.1.17	Locking Knob	1	16
30	3604.1.43	Screw Nut	1	7
31	3365.1.14	Gear Box	1	960
32	3604.1.44	Bolt -c Class	1	7
33	3313.1.11	Base Plate -acc	1	544
34	3325.1.56	Butterfly Screw	1	7
35	272.1.95	Bearing (6003zz)	1	469
36	3311.1.70	Circlip	1	3
37	3225.1.57	Screw	1	3
38	3501.1.52	Limit Pin	1	7
39	3501.1.53	Pin	1	7

Drg. No.	Part No.	Description	Qty./Tool	Price (₹)
40	3225.1.58	Screw Nut	1	33
41	3306.1.49	Big Gear	1	383
42	3275.1.35	Key	1	3
43	3291.1.35	Spindle	1	160
44	3278.1.45	Front Cover	1	64
45	3225.1.59	Screw For Cover	1	3
46	272.1.43	Bearing(6202zz)	1	449
47	3278.1.46	Safety Cover	1	160
48	3310.1.68	Spring For Safety Cover	1	16
49	3225.1.60	Screw	1	3
50	3312.1.14	Bearing Cover	1	9
51	3225.1.61	Screw	1	3
52	3239.1.07	Inner Washer	1	96
53	3239.1.08	Outer Washer	1	96
54	3230.1.09	Washer	1	3
55	3604.1.45	Blot	1	3
56	3399.1.32	Wrench	1	33
57	3360.1.84	Cord	1	192

SPARES ▶

MODEL : RCS180
180mm Circular Saw





MODEL : RCS180
180mm Circular Saw

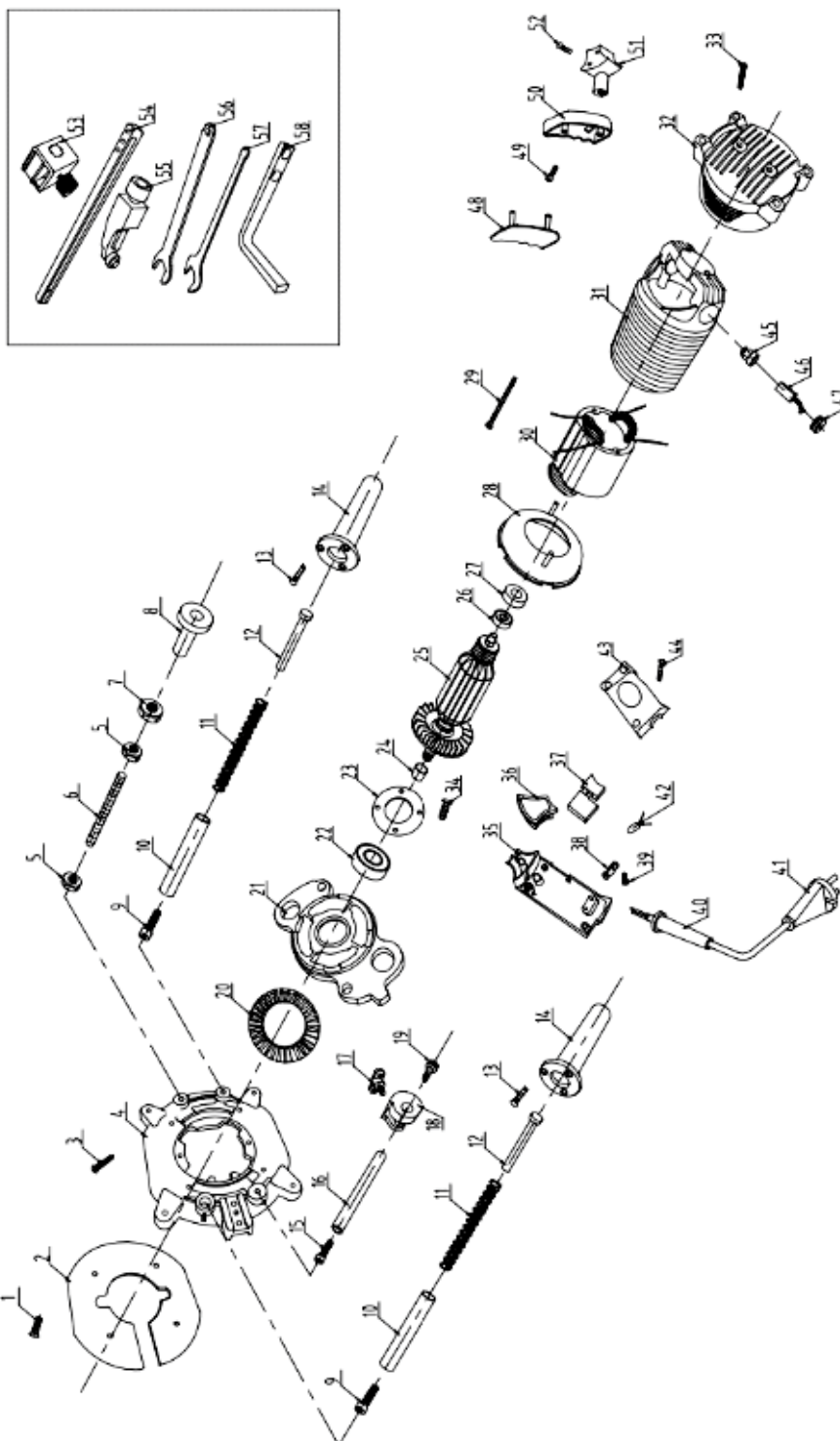
◀ SPARES

Drg. No.	Part No.	Description	Qty./Tool	Price (₹)
1	3326.1.81	Screw St4x16	8	4
2	3329.2.07	Left Handle	1	185
3	3330.1.69	Switch	1	126
4	3395.1.04	Termail	1	32
5	3317.1.10	Capacity	1	63
6	3329.2.08	Right Handle	1	185
7	3326.1.82	Screw St4x12	2	4
8	3279.1.91	Cable Plate/clamp	1	6
9	3279.1.92	Cable Sheath/sleeve	1	13
10	3290.1.13	Cable	1	316
11	3503.1.38	Deep Stander	1	84
12	3503.1.39	Knob	2	13
13	3604.1.55	Nut M6x12	2	4
14	3503.1.40	Base Assembly	1	526
15	3503.1.41	Knob	1	13
16	3326.1.83	Screw M6x40	1	11
17	3503.1.42	Angle Stander	1	74
18	3604.1.56	Nut M6	1	6
19	3503.1.43	Ruller	1	74
20	3326.1.84	Screw St4x10	4	4
21	3278.1.66	Housing End Cover	1	84
22	3326.1.85	Screw M5x65pt	4	11
23	3260.1.49	Motor Housing	1	326
24	3251.9.63	Carbon Brush	1 Pair	84
25	3310.2.07	Spring	2	21
26	3252.1.53	Brush Holder	2	74
27	3326.1.86	Screw M4x14	3	4
28	3329.2.06	Locking Handle	1	32
29	3361.1.01	Deep Locking Tube	1	59
30	3232.1.20	Washer ?22x?6.2x1.7	1	6
31	3326.1.87	Screw M6x16	1	4
32	3361.1.02	Rubber Tube 4.7x8	1	6
33	3265.1.31	Gear Housing	1	947
34	3361.1.03	Rubber Tube	1	6
35	3326.1.88	Screw M5x20	1	4
36	3821.3.13	Stator Assy	1	1,052
36	3821.3.63	Field Assy (110v)	1	1,262
37	3337.1.01	Bearing Sleeve	1	32
38	3326.1.89	Screw St5x65	2	17
39	272.1.04	Ball Bearing 608-2rs	1	257
40	3337.1.02	Dust Proof Ring	1	19

Drg. No.	Part No.	Description	Qty./Tool	Price (₹)
41	3831.3.13	Armature Assy	1	1,473
41	3831.3.63	Armature Assy 110v	1	1,768
42	272.1.22	Ball Bearing 6200-2rs	1	303
43	3337.1.03	Gear Locking Tube	1	34
44	3310.2.08	Spring	1	6
45	3344.1.24	Fan Baffle	1	32
46	272.1.82	Ball Bearing 607-zz	1	335
47	3300.1.43	Gear	1	147
48	3615.1.02	Shaft Sleeve	1	42
49	272.1.59	Ball Bearing 6001-2rs	1	281
50	3312.1.21	Bearing Support	1	253
51	3326.1.90	Screw M5x12	4	4
52	3311.1.89	Circlip ?12	1	4
53	3275.1.42	Key	1	6
54	3291.1.44	Output Shaft	1	105
55	3332.1.30	Moveable Safety Guard	1	210
56	3503.1.44	Knob	1	13
57	3311.1.90	Spring	1	13
58	3270.1.41	Plate	1	13
59	3326.1.91	Screw M4x10	3	4
60	3409.1.34	Inner Flange	1	53
61	3337.1.04	Blade 40t	1	463
62	3409.1.35	Outer Flange	1	74
63	3232.1.21	Washer ?6	1	4
64	3326.1.92	Screw M6x16	1	6
65	3399.1.38	Wrench/spanner	1	25

SPARES ▶

MODEL : RW8-12
6, 8, 12mm Electric Router



MODEL : RW8-12

6, 8, 12mm Electric Router

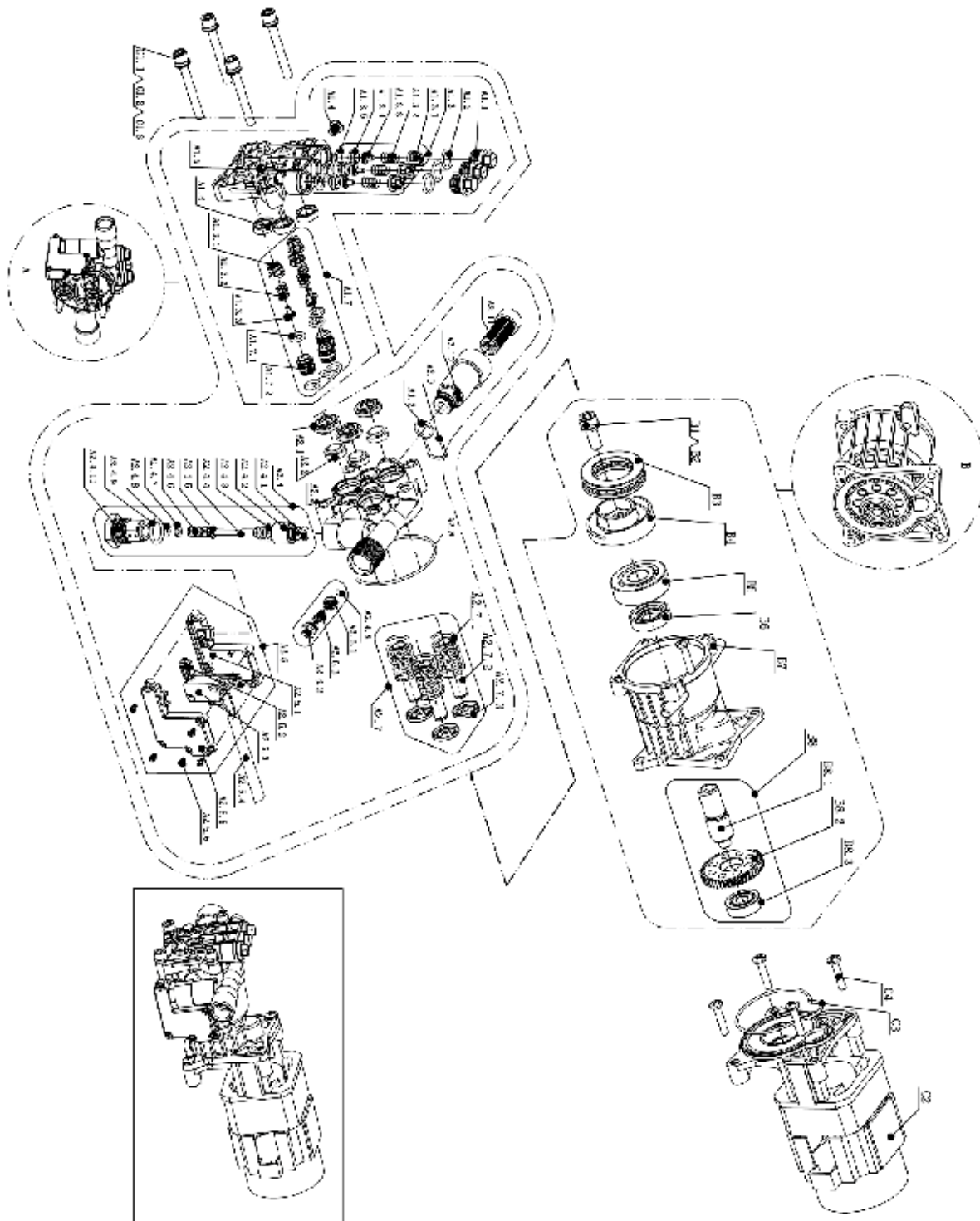
◀ SPARES

Drg. No.	Part No.	Description	Qty./Tool	Price (₹)
1	3220.1.97	Screw M4x10	1	7
2	3365.1.04	Soleplate	1	170
3	3220.1.98	Screw St4x30	1	7
4	3365.1.05	Foundation	1	546
5	3604.1.31	Nut	1	7
6	3220.1.99	Lead Screw	1	105
7	3604.1.32	Big Nut	1	15
8	3604.1.33	Lock Nut	1	192
9	3602.1.01	Inner Hexagon Screw M5x20	1	7
10	3399.1.17	Guide Pole	1	120
11	3310.1.33	Spring	1	76
12	3500.1.84	Pin	1	71
13	3602.1.02	Screw M4x25	1	7
14	3360.1.29	Guide Sleeve	1	85
15	3602.1.03	Inner Hexagon Screw M6x25	1	7
16	3397.1.01	Guide Pole	1	105
17	3510.1.66	Lock Knob	1	7
18	3360.1.14	Locking Lieve	1	56
19	3360.1.67	Small Knob	1	7
20	3365.1.06	Wind Cover Up	1	15
21	3366.1.01	Head Capsule	1	778
22	3272.1.03	Bearing 6004	1	297
23	3312.1.04	Bearing Cover	1	22
24	3604.1.34	Nut M20	1	275
25	3830.3.30	Armature	1	2,185
25	3830.3.50	Armature 115v	1	2,622
26	3272.1.04	Bearing 6000	1	176
27	3274.1.05	Rubber Bushing	1	22
28	3366.1.02	Wind Sheild	1	35
29	3602.1.09	Screw St5x60	1	35
30	3820.3.30	Field Coil	1	1,516
30	3820.3.50	Field Coil 115v	1	1,818
31	3440.1.01	Enclosure	1	531
32	3623.1.01	Back Cover	1	176
33	3602.1.04	Screw St4x16	1	7
35	3329.1.47	Right Handle	1	176
36	3405.1.01	Indicating Lamp Cover	1	27
37	3330.1.01	Switch	1	170
38	3279.1.01	Cable Clamp	1	7
39	3602.1.06	Screw St4x14	1	7
40	3291.1.23	Cable Sheath	1	27

Drg. No.	Part No.	Description	Qty./Tool	Price (₹)
41	3291.1.24	Cable And Plug	1	247
42	3405.1.02	Indicating Lamp	1	7
43	3329.1.48	Right Handle Cover	1	85
45	3252.1.23	Brush Holder	1	22
46	3251.9.30	Carbon Brush	1 PAIR	170
47	3253.1.07	Brush Hold Cap	1	15
48	3329.1.49	Left Handle	1	27
49	3602.1.07	Inner Hexagon Screw Mx25	1	7
50	3278.1.25	Left Handle Cover	1	135
51	3278.1.26	Left Handle Base	1	35
52	3602.1.08	Screw M4x16	1	7
53	3221.1.02	Fixing	1	71
54	3221.1.03	Guide Rule	1	247
55	3221.1.04	Rear Foot Bends	1	120
56	3399.1.27	Spanner 17	1	33
57	3399.1.28	Spanner 24	1	24
58	3221.1.05	Bending Foot	1	114

SPARES ▶

MODEL : RHP 100
PRESSURE WASHER (MOTOR PUMP ASSEMBLY)



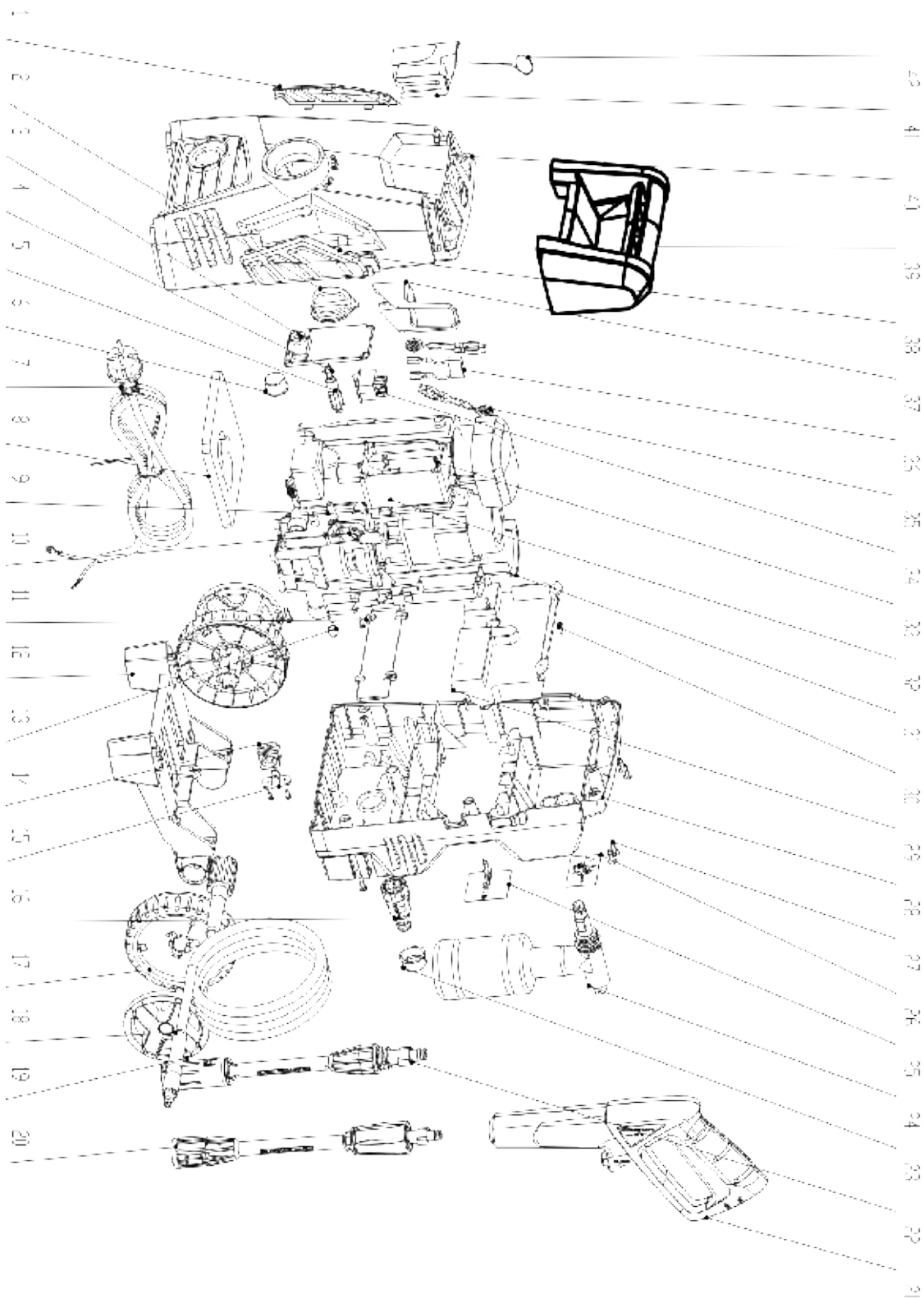
MODEL : RHP 100 PRESSURE WASHER (MOTOR PUMP ASSEMBLY)

Drg. No.	Part No.	Description	Qty./Tool	Price (₹)
A	3603.1.42	Pump Assembly	1	1,208
A1	3603.1.43	Pump Head Assembly	1	554
A1.1	3603.1.44	Valve Nut	3	91
A1.2	3603.1.45	O-ring	3	9
A1.3	3603.1.46	Outlet Valve Assemble	3	15
A1.3.1	3603.1.47	Valve Bracket	3	19
A1.3.2	3603.1.48	Valve Spring	3	19
A1.3.3	3603.1.49	Valve Core	3	19
A1.3.4	3603.1.50	Valve Base	3	19
A1.3.5	3603.1.51	O_ring	3	9
A1.4	3603.1.52	X-screw	1	7
A1.5	3603.1.53	Pump Head	1	272
A1.6	3603.1.54	Y-seal	3	46
A1.7	3603.1.55	Inlet Valve Kit	3	55
A1.7.1	3603.1.56	O_ring	6	19
A1.7.2	3603.1.57	Inlet Valve Base	3	9
A1.3.1	3603.1.58	Valve Bracket	3	9
A1.3.2	3603.1.59	Valve Spring	3	9
A1.3.3	3603.1.60	Valve Core	3	9
A2	3603.1.61	Cylinder Block Assemble	1	369
A2.1	3603.1.62	Seal Bracket	3	9
A2.2	3603.1.63	Piston Oil Seal	3	55
A2.3	3603.1.64	Cylinder Block	1	305
A2.4	3603.1.65	Bypass Valve Kit	1	188
A2.4.1	3603.1.66	O_ring	1	7
A2.4.2	3603.1.67	Bypass Cylinder	1	91
A2.4.3	3603.1.68	O_ring	1	7
A2.4.4	3603.1.69	Bypass Core	1	34
A2.4.5	3603.1.70	Stop Ring	1	9
A2.4.6	3603.1.71	Bypass Spring	1	30
A2.4.7	3603.1.72	Washer	1	7
A2.4.8	3603.1.73	O_ring	1	7
A2.4.9	3603.1.74	O_ring	1	7
A2.4.10	3603.1.75	Bypass Screw	1	9
A2.5	3603.1.76	Micro-switch Kit	1	232
A2.5.1	3603.1.77	Lower Box Cover	1	13
A2.5.2	3603.1.78	Pole	1	7
A2.5.3	3603.1.79	Micro-switch	1	120
A2.5.4	3603.1.80	Micro-switch Cable	1	72
A2.5.5	3603.1.81	Upper Box Cover	1	9
A2.5.6	3603.1.82	St-screw	5	15
A2.6	3603.1.83	Chief Valve Kit	1	13

Drg. No.	Part No.	Description	Qty./Tool	Price (₹)
A2.4.8	3603.1.84	O_ring	1	7
A2.6.1	3603.1.85	Chief Valve Core	1	7
A2.6.2	3603.1.86	Cone Spring	1	7
A2.6.3	3603.1.87	Cone Spring Base	1	7
A2.7	3603.1.88	Piston Kit	1	298
A2.7.1	3603.1.89	Piston	3	191
A2.7.2	3603.1.90	Spring Chuck	3	26
A2.7.3	3603.1.91	Piston Spring	3	37
A2.8	3603.1.92	O_ring	1	13
A2.9	3603.1.93	U-pin	1	7
A2.10	3603.1.94	Inlet Pipe	1	24
A1.2	3603.1.95	O_ring	1	7
A2.11	3603.1.96	Filter	1	34
B	3603.1.97	Gear Box Assemble	1	923
B1	3603.1.98	Inner Hexagon Screw	1	9
B2	3603.1.99	Plain Washer	1	7
B3	3604.1.01	Bearing 51106	1	175
B4	3604.1.02A	Wobble Disc	1	67
B5	3604.1.03A	Bearing 6302	1	166
B6	3604.1.04	Oil Seal	1	266
B7	3604.1.05	Gear Box	1	373
B8	3604.1.06	Gear Shaft Kit	1	120
B8.1	3604.1.07A	Shaft	1	72
B8.2	3604.1.08A	Gear	1	393
B8.3	272.1.19	Bearing 629	1	354
C1.1	3604.1.09A	Elastic Washer	4	13
C1.2	3604.1.10	Screw M6x50	4	37
C1.3	3604.1.11	Washer	4	13
C2	3604.1.12	Motor	1	3,199
C3	3604.1.13	Peach-shape Ring	1	15
C4	3604.1.14	St-screw	1	24

SPARES ►

MODEL : RHP 100
PRESSURE WASHER (EXCLUDING MOTOR PUMP ASSEMBLY)

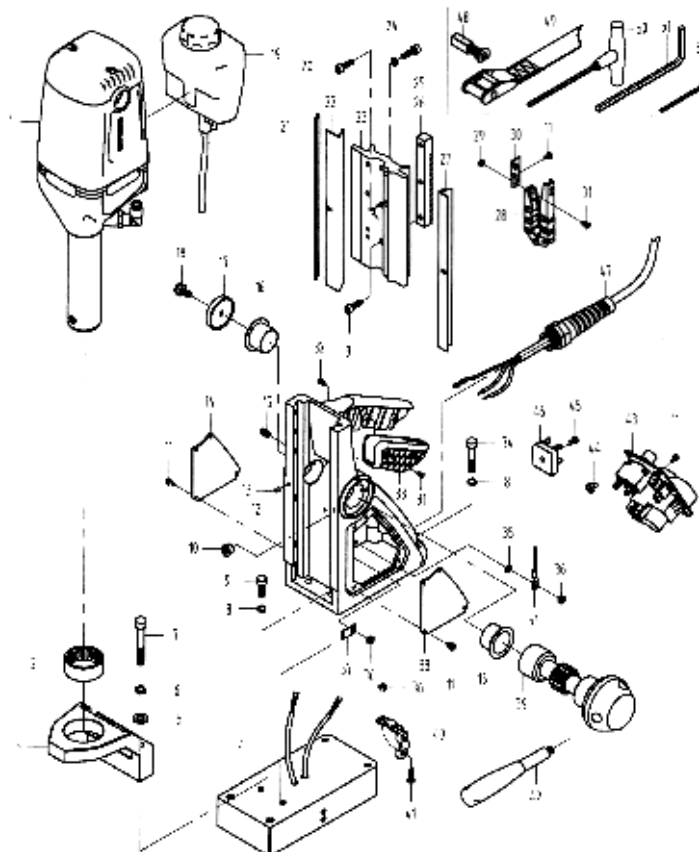


MODEL : RHP 100
PRESSURE WASHER (EXCLUDING MOTOR PUMP ASSEMBLY)

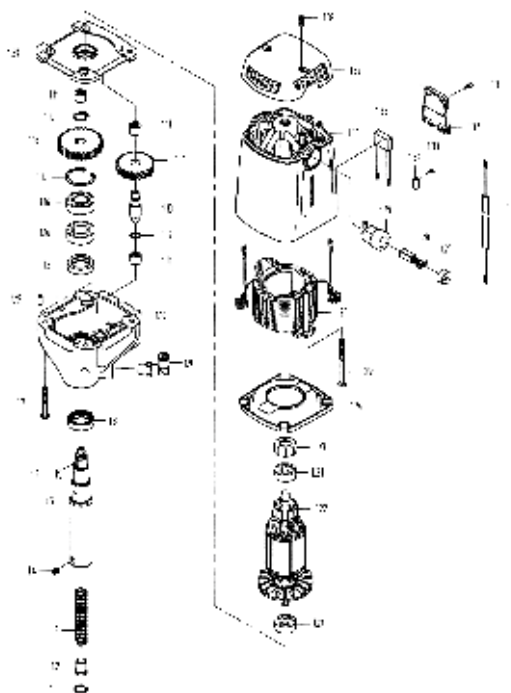
Drg. No.	Part No.	Description	Qty./Tool	Price (₹)
1	3603.1.01	Left Decorate Board	1	13
2	3603.1.02	Switch Knob	1	13
3	3603.1.03	Switch Cover	1	18
4	3603.1.04	O-ring 8.5x1.8/70hs/rohs	1	2
5	3603.1.05	Switich Pole	1	4
6	3603.1.06	Waterout Tube Cover	1	2
7	3603.1.07	Cable	1	565
8	3603.1.08	Front Filter Screen	1	35
9	3603.1.09	Fan Box	1	103
10	3603.1.10	Cable Seal	1	2
11	3603.1.11	Down Water-stop Sheet	1	9
12	3603.1.12	Pedestal	1	183
13	3603.1.13	Damping Rng	2	4
14	3603.1.14	Cable Sheath	1	2
15	3603.1.15	Cable Plate	1	2
16	3603.1.16	Water Inlet Nut	1	29
17	3603.1.17	Wheels	2	120
18	3603.1.18	Pressure Hose	1	1,098
19	3603.1.19	Wheel Cover	2	53
20	3603.1.20	Connecting Lance	1	293
21	3603.1.21	Ylg07 Gun	1	731
22	3603.1.22	Ylg07 Lance	1	293
23	3603.1.23	Water Inlet Tube Cover	1	2
24	3603.1.24	Soap Bottle	1	146
25	3603.1.25	Rating Label	1	15
26	3603.1.26	Warning Label	1	9
27	3603.1.27	Screw St4.8x16	9	21
28	3603.1.28	Rear Housing	1	397
29	3603.1.29	Upper Water-stop Sheet	1	59
30	3603.1.30	Screw St3.5x13f	6	9
31	3603.1.31	Fan Cover	1	62
32	3970.3.01	Motor Pump	1	5,811
33	3603.1.32	Screw St3x12	10	4
34	3603.1.33	Switch	1	126
35	3603.1.34	Inductance	2	124
36	3603.1.35	Capacita	1	47
37	3603.1.36	Cable Hook	1	21
38	3603.1.37	Right Decorate Board	1	13
39	3603.1.38	Short Handle	1	117
40	3603.1.39	From Housing	1	427
41	3603.1.40	Gun Holder	1	29
42	3603.1.41	Cleaning Pin	1	4

SPARES ▶

MODEL : COMMANDO 35 VIEW OF MACHINE



VIEW OF MOTOR AND GEAR BOX





MODEL : COMMANDO 35

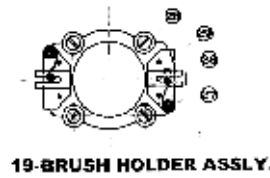
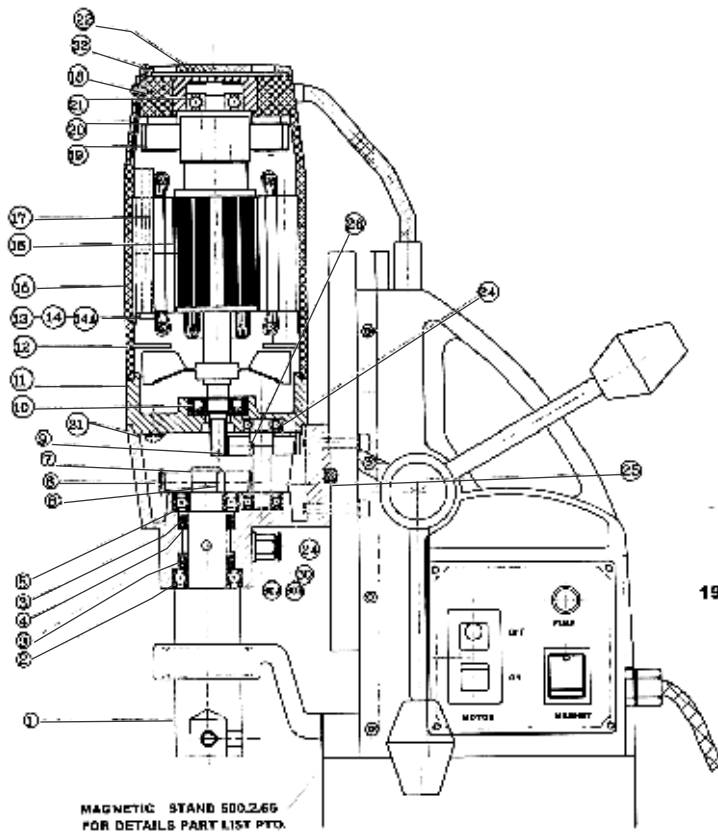
35mmx35mm Magnetic Core Drilling Machine

◀ SPARES

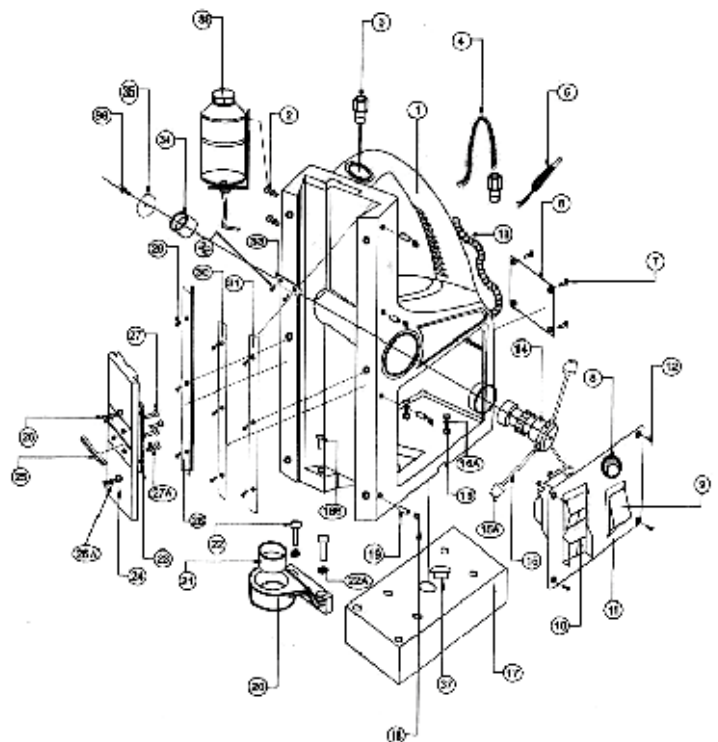
Drg. No.	Part No.	Description	Qty./Tool	Price (₹)	Drg. No.	Part No.	Description	Qty./Tool	Price (₹)
1	RDA4061	Motor Assembly	1	12,032	8	RD4207	M6 Spring Washer	2	41
1.1	RD4056	Circlip	1	37	9	RD4098	Screw M6×20 Cap Hd	3	27
1.2	RA354	Button	1	550	10	RDA4005	Cable Bush	1	360
1.3	RDA3016	Spring	1	80	11	RDA4021	Screw M4×8 Btnn Hd	16	141
1.4	RD4066	Grub Screw M8×8	6	22	12	RDA4065	Main Housing	1	8,020
1.5	RDA4062	Arbour Spindle	1	4,355	13	RD45622	Straight Pin	2	27
1.6	RDA3044	Flat Key	1	201	14	RDA4059	Right Side Panel	1	401
1.7	RDA4033	Tapping Screw St4.8×40	4	41	15	RD4312	Grub Screw M6×12	5	27
1.8	RD43304	Oil Seal	2	408	16	RDA3092	Bush	4	401
1.9	RDA4037	Fluid Elbow(black)	1	803	17	RDA4066	Pinion Shaft Sleeve	1	2,182
1.10	RDA3005	Gear Box	1	2,190	18	RDA4067	Screw M5×16 Cap Hd	1	21
1.11	RM22880	Needle Bearing Hk071109	3	401	19	RDA4068	Coolant Bottle Assembly	1	1,604
1.12	RDA4208	Gear Shaft Washer 7mm Id	1	33	20	RDA4029	Screw M6×16 Cap Hd	1	141
1.13	RDA3043	Spindle Gear	1	2,006	21	RD33105	Gib Strip Support	1	803
1.15	RD45614	Straight Pin	1	437	22	RDA3038	Gib Strip	1	803
1.16	RD43305	Roller Bearing 6003 Rs	2	612	23	RDA3035	Slide	1	758
1.17	RD43306	Circlip	1	35	24	RD4092	M5 Shake Proof Washer	4	27
1.18	RDA3041	Gear	1	501	25	RD4091	Screw M5×22 Cap Hd	4	27
1.19	RD43087	Circlip	1	37	26	RDA3027	Rack	1	316
1.20	RDA3006	Gear Plate	1	803	27	RDA3037	Adjustable Gib Strip	1	461
1.21	RM17134	Roller Bearing 608 2rs	2	512	28	RDA2016	Internal Chain	1	803
1.22	RDA3060/3	Armature	1	4,643	29	RDA4205	M3 Nut	4	141
1.23	RDA3068	Bearing Sleeve	1	803	30	RDA3045	Cable Chain Attachment	2	501
1.24	RDA5004	E30 Baffle Plate	1	201	31	RDA4204	Screw M3×8 Csk Hd	8	141
1.25	RDA4032	Tapping Screw St4.2×50	2	41	32	RDA4206	Screw M4×12 Csk Hd	2	21
1.26	RDA3066/3	Field Coil	1	3,434	33	RDA5008	Handle Insert	1	201
1.27	RDA3064	Brush Cap	2	33	34	RD4206	Screw M6×40 Cap Hd	1	21
1.28	RDA3067/3	Carbon Brush	1 Pair	233	35	RD4069	M4 Washer	1	27
1.29	RDA3063	Brush Holder	1	173	36	RD4068	M4 Nut	4	27
1.30	RDA4017	Motor Cable	1	482	37	RDA45604	Earth Label	1	41
1.31	RDA4034	Tapping Screw St2.9×8	4	141	38	RDA4058	Left Side Panel	1	401
1.32	RDA5018	Wire Box Cover	1	401	39	RDA4069	Capstan Axel	1	1,464
1.33	RD45613	Screw M3×6 Btnn Hd	4	27	40	RDA4070	Cable Clamp	1	141
1.34	RD35617	Terminal	2	78	41	RDA4071	Screw M4×16 Cap Hd	2	21
1.35	RD43118	Capacitor	1	401	42	RDA2008	Capstan Arm	3	217
1.36	RDA5002	Motor Housing	1	857	43	RDA4060	Control Panel Assembly	1	20,052
1.37	RDA5003	Top Cap	1	803	44	RDA4072	Safety Wire-pressing Cap	6	401
1.38	RDA4035	Tapping Screw St4.2×12	2	141	45	RDA4073	Screw M4×14 Btnn Hd	1	21
2	RD45624	Needle Bearing Hk3516	1	2,013	46	RDA4074	Bridge Rectifier Assembly	1	401
3	RDA4063	Bearing Bracket	1	674	47	RDA4075	Power Cable	1	803
4	RDA4064	Magnet	1	8,394	49	RD4329	Safety Belt	1	803
5	RD4078	M8 Washer	2	27	50	RD4088	4mm Hexagonal Spanner	1	401
6	RD4079	M8 Spring Washer	2	27	51	RD4230	6mm Hexagonal Spanner	1	401
7	RD4277	Screw M8×50 Cap Hd	2	21	52	RD4152	3mm Hexagonal Spanner	1	401

SPARES ▶

MODEL : ENOVA 40
40mm x 50mm Magnetic Core Drill



**MODEL : ENOVA 40 MAGNETIC STAND
(MS40) 500.2.55**





MODEL : ENOVA 40

40mm x 50mm Magnetic Core Drill

Drg. No.	Part No.	Description	Qty./Tool	Price (₹)
1	510.3.03	Adaptor Assly	1	1,790
2	272.1.66	Ball Bearing Out Put Spindle 6904 Zz	1	242
3	327.1.08	Oil Seal 20x30x7	2	84
4	265.1.52	Gear Box	1	897
5	272.1.95	Ball Bearing O/p Spindle 6003 Zz	1	469
6	2300.1.46	Gear	1	575
7	311.1.06	Circlip	1	20
8	275.1.32	Key 4x4 X10mm	1	21
9	2302.1.13	Gear Shaft Mounted	1	256
10	272.1.23	Ball Bearing Fan Side 6201 Zz	1	246
11	2270.1.04	I G Plate	1	447
12	344.1.02	Baffle Plate	1	89
13	220.1.56	Field Screw	2	20
14	230.1.02	Washer	2	20
15	260.1.13	Motor Frame	1	2,229
16	2830.3.12	Armature Assy	1	4,094
17	2822.3.03	Field Coil Assy	1	3,198
18	224.1.08	Screw	4	20
19	862.3.03	Brush Holder Assy	1	156
20	623.1.53	Inspection Cover	2	50
21	272.1.22	Ball Bearing Brg Com Side 6200 Zz	1	303
22	278.1.11	Top Cover	1	84
23	224.1.03	Screw	4	20
24	272.1.04	Ball Bearing Brg Igp 608 Zz	1	257
24	272.1.04	Ball Bearing Inside G /b 608 Zz	1	257
25	2290.1.51	Pinion	1	447
26	275.1.02	Key	1	44
27	310.1.06	Spring	2	44
28	251.9.03	Carbon Brush	1 PAIR	114
29	220.1.02	Screw	2	20
30	499.1.62	Coupler	1	181
31	2224.1.01	Screw	4	20
32	224.1.10	Top Cover Screw	4	20
14A	231.1.02	Washer	2	20
30A	431.1.01	O Ring	1	44
30B	240.1.03	Nylon Washer	1	20

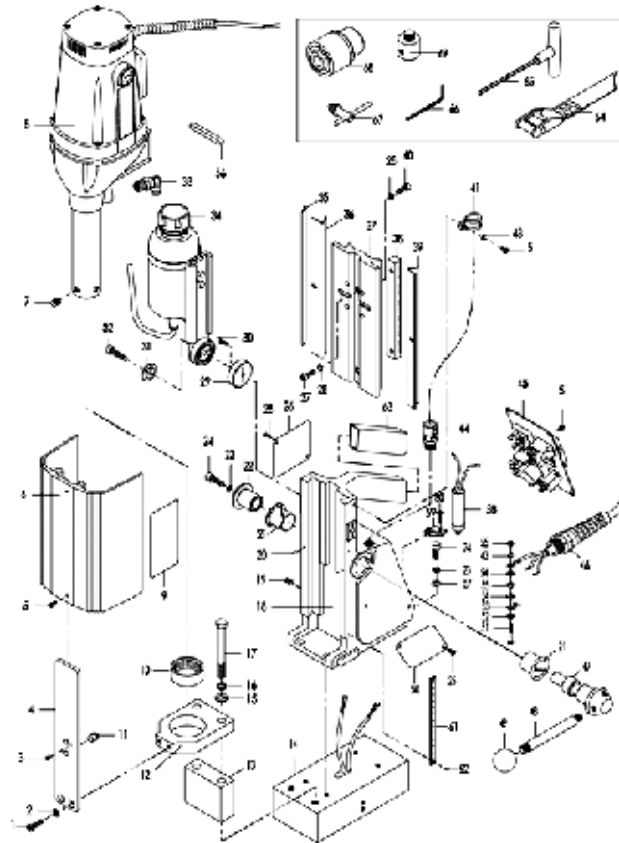
MODEL : ENOVA 40 MAGNETIC STAND

(MS40) 500.2.55

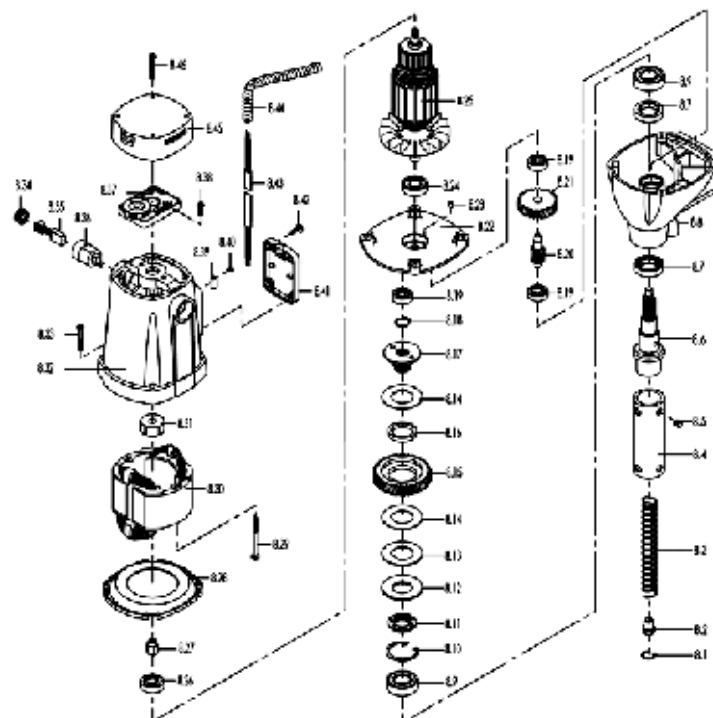
Drg. No.	Part No.	Description	Qty./Tool	Price (₹)
1	505.1.01	Main Body	1	3,914
2	602.1.75	3/16 X 1 1/4" Allan Bolt	2	60
3	505.1.02	Gland Pg9	2	345
4	269.2	Cable Conduit	1	129
5	505.1.03	Spiral Gland	1	50
6	350.1.70	Name Plate	1	129
7	602.1.76	3/16 X 10 Screw	4	50
8	505.1.04	Fuse	1	76
9	330.1.24	Switch For Magnet	1	129
10	330.1.25	Switch For Drill	1	857
11	365.1.33	Switch Plate	1	371
12	602.1.77	3/16 X 10 Screw	4	50
13	434.1.05	Safty Chain	1	198
14	302.1.29	Pinion	1	761
15	329.3.06	Operating Lever	3	294
16	602.1.78	8 X 25 Allan Bolt	4	50
17	505.1.06	Magnetic Base	1	2,450
18	604.1.86	5mm Lock Nut	4	14
19	604.1.87	5 X 20 Grub Screw	4	50
20	365.1.34	Drill Bracket	1	491
21	273.1.19	Needle Bearing Hk3516	1	198
22	602.1.79	6 X 25 Allan Bolt	2	25
23	505.1.07	Rack	1	491
24	505.1.08	Guide Plate	1	2,206
25	275.1.33	Key	1	32
26	602.1.80	5 X 25 Allan Bolt	2	25
27	602.1.81	6 X 30 Allan Bolt	4	50
28	505.1.09	Brass Strip Left	1	411
29	602.1.82	3 X 6 C.s.k. Allan Screw	6	76
30	505.1.10	Brass Strip Right	1	249
31	505.1.11	Brass Sheet For Locking	1	371
32	602.1.83	3/16 X 10 Screw	2	6
33	279.1.59	Cord Clamp	1	25
35	274.1.72	Pinion Bush	2	249
35	505.1.12	Pinion Cap	1	25
36	602.1.84	6 X 12 C.s.k. Allan Screw	1	6
37	434.1.06	Wire Cap	1	25
38	505.3.01	Coolant Bottle Assly.	1 set	678
39	1850.2.16	Magnetic Coil	2	3,427
17 & 39	505.3.06	Magnetic Base Assy	1	5,878
40	505.3.02	Rectifire	1	491
41	511.1.01	Allen Key 4mm	1	70
15A	329.1.06	Knob For Oprating Lever	3	664

SPARES ▶

MODEL : COMMANDO 40S VIEW OF MACHINE



MVIEW OF MOTOR AND GEAR BOX





MODEL : COMMANDO 40S

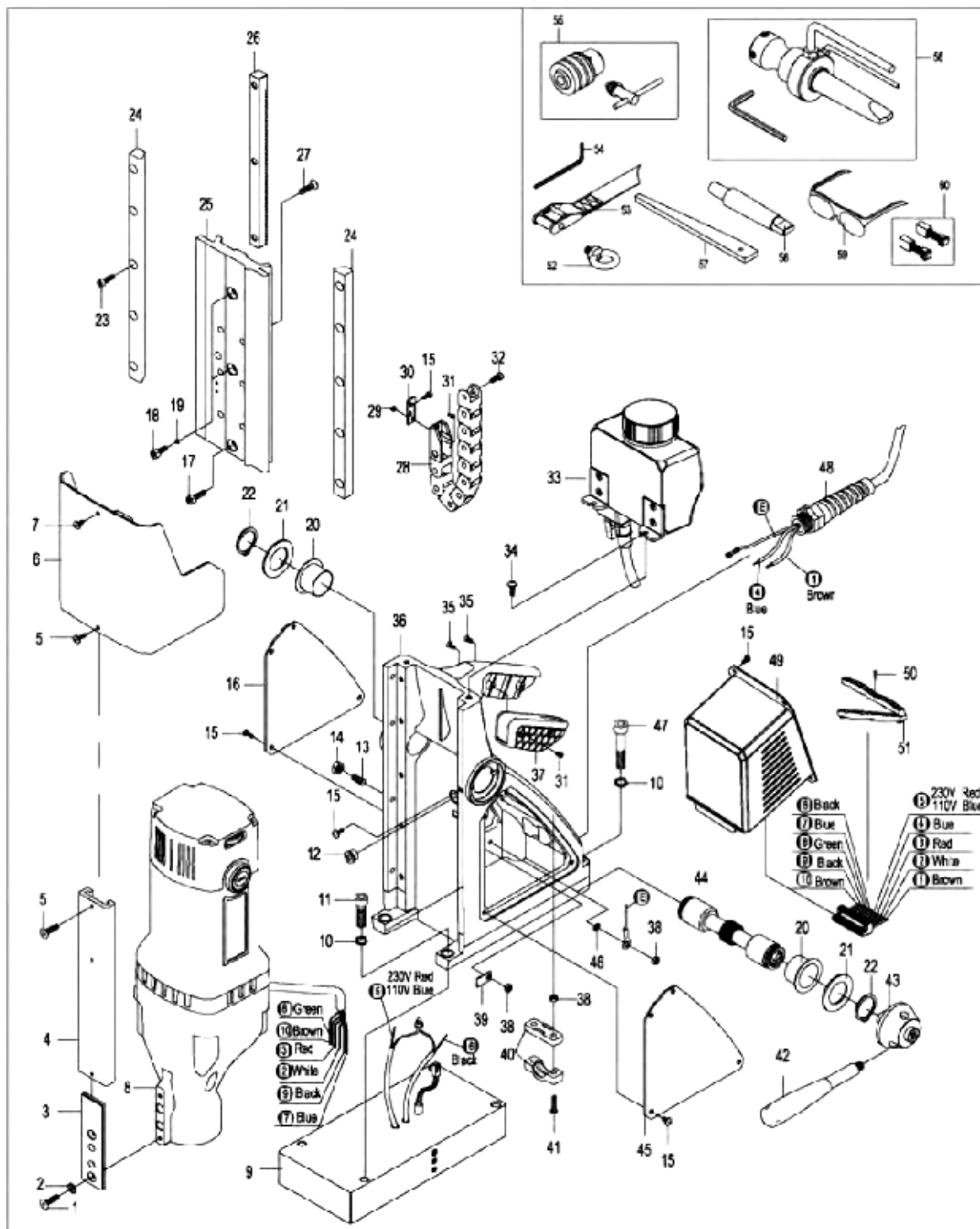
40mmx50mm Magnetic Core Drilling Machine

◀ SPARES

Drg. No.	Part No.	Description	Qty./Tool	Price (₹)
1	RD4347	Countersunk Screw	2	15
2	RD45607	Washer	2	15
3	RD4103	M3 Socket Head Screw	1	22
4	RD33647	Guard Bracket	1	437
5	RD4077	Panhead Screw	2	15
6	RD33640	Guard	1	2,019
7	RD4066	Cutter Retaining Screw	2	22
8.1	RD4056	Circlip	1	37
8.2	RA354	Button	1	550
8.3	RA355	Spring	1	464
8.4	RD33155	Arbor	1	5,165
8.6	RD33156	Arbor Spindle	1	5,432
8.7	RD43304	Seal	2	408
8.8	RD33602	Gearbox	1	2,969
8.9	RD43305	Bearing	1	612
8.10	RD43306	Circlip	1	35
8.11	RD43607	Locknut	1	471
8.12	RD43626	Dish Washer	1	169
8.13	RD43608	Washer	1	212
8.14	RD33603	Brass Washer	1	163
8.15	RD33604	Gear	1	1,042
8.16	RD43609	Clutch Bush	1	35
8.17	RD33606	Clutch Base	1	1,140
8.18	RD43310	Circlip	1	27
8.19	RM17134	Bearing	1	512
8.20	RD33607	Interpinion Shaft	1	464
8.21	RD33608	Gear	1	634
8.22	RD33609	Inner Gearplate	1	866
8.23	RD45614	Bearing Pin	1	437
8.25	RD33623	Armature 230v	2	6,282
8.24	RD45522	Bearing	1	1,358
8.26	RD43603	Bearing	1	648
8.27	RD35639	Speed Sensor	1	78
8.28	RD33611	Fan Guide	1	27
8.29	RD43625	Screw	2	27
8.30	RD33633	Field Coil (230v)	1	4,650
8.31	RDB3069	Bearing Retainer	1	884
8.33	RD43624	Screw	4	27
8.34	RD33616	Brush Cap	1	43
8.35	RD35612	Carbon Brush	1 PAIR	599
8.36	RD33614	Brush Holder	1	232
8.37	RD23643	Speed Controller Assembly (230v)	1	4,321
8.38	RD45610	Screw	1	15
8.39	RD35617	Terminal	1	78
8.40	RD45613	Screw	1	27
8.41	RD35619	Terminal Cover Plate	1	43
8.42	RD45612	Screw	4	27
8.43	RD23623	Motor Cable Assembly	1	381
8.45	RD35615	End Cap	1	105
8.46	RD43618	Screw	4	27
9	RD33070	Speed Label	1	196
10	RD45624	Arbor Bearing	1	2,013

Drg. No.	Part No.	Description	Qty./Tool	Price (₹)
11	RD45620	Spring Plunger	1	184
15	RD4078	Plain Washer	2	27
14	RD23626	Magnet Base Assembly (230v)	1	11,362
16	RD4079	Shakeproof Washer	2	27
17	RD43619	Arbor Bracket Bolt	2	429
18	RD33632	Housing	1	8,739
19	RD4312	M6 Tuflock Screw	10	27
20	RD45622	Tension Pin	1	27
21	RD4313	Nyliner Bearing	1	2,006
22	RD33090	Pinion Shaft Sleeve	1	2,956
23	RD4096	M6 Shakeproof Washer	1	27
24	RD4098	M6 Socket Head Screw	1	27
26	RD4302	Information Plate	1	928
27	RD4325	M5 Socket Head Screw	1	15
28	RD4092	M5 Shakeproof Washer	2	27
29	RD33338	Fixed Ratchet Wheel	1	127
30	RD4414	M4 Sockethead Screw	2	27
31	RD33320	Tension Plate	1	534
32	RD4269	Socket Head Cap Screw	1	27
33	RD45605	Coolant Conector	1	204
34	RD23617	Bottle And Bracket Assembly	1	2,504
35	RD33644	Gib Support Strip	2	141
36	RD33645	Adjustable Gib Strip	2	626
37	RD33630	Slide	1	1,028
38	RD33600	Rack	1	429
39	RD33646	Fixed Gib Strip	2	585
40	RD4091	M5 Socket Head Screw	2	27
41	RD4210	Cable Clip	1	191
44	RD43600	Cable Connector	1	56
45	RD23097	Control Unit Assembly (230v)	1	23,745
45	RD23100	Control Unit Assembly (230v)	1	14,245
47	RD33643	Capstan Pinion Shaft	1	879
46	RD25620	Mains Cable Assembly (230v)	1	1,119
48	RD33642	Capstan Arm	1	296
49	RD43091	Capstan Knob	1	296
51	RD45621	M4 Screw	1	27
52	RD4069	M4 Shakeproof Washer	4	27
53	RD45604	Earth Tag	1	56
54	RD4070	M4 Washer	2	27
55	RD4068	M4 Hexagon Nut	2	27
56	RD33341	Key	1	226
57	RD4095	Flat Washer M6	1	27
58	RD45606	Protection Switch	1	332
60	RD43093	Pan Head Screw	1	15
61	RD33145	Depth Gauge	1	27
62	RD33146	Label Plate Rivet	1	27
63	RD33144	Handle Cover	1	275
	RD23653	Motor Assembly (230v)	1	11,222
	RD33119	Stop/start Switch	1	2,857
	RDB33613	Motor Housing With Bearing Retainer	1	2,044
	RD33635	Bearing Bracket	1	916

MODEL : COMMANDO 50 VIEW OF MACHINE





SPARES ►

MODEL : COMMANDO 50

40mmx50mm Magnetic Core Drilling Machine

Drg. No.	Part No.	Description	Qty./Tool	Price (₹)
1	RDC4001	Screw	2	151
2	RD45607	M5 Csk Washer	2	15
3	RDC4002	Guard Support	1	381
4	RDC4003	Slide Channel	1	294
5	RDA4201	Screw M4×14 Btn Hd	3	141
6	RDB3037	Element E40 Guard	1	796
7	RDC4004	Screw M4×8 Btn Hd	1	141
8	RDC4120R	Motor And Gearbox Assembly	1	31,569
8	RDC4005	Motor Assembly 230v	1	25,962
8.1	RDC4007	Circlip	1	35
8.2	RDC4008	Oil Seal Washer	1	28
8.3	RDC4009	Arbor Spindle	1	5,541
8.4	RDC4010	Roll Bearing	1	408
8.5	RDC4011	Flat Key	1	17
8.6	RDC4012	Tapping Screw	4	21
8.7	RDB4008	Spring	1	141
8.8	RDB3030	Gear Lever	1	141
8.9	RDC4013	Screw	1	141
8.10	RDC4014	Gear Box	1	2,988
8.11	RDC4015	Needle Bearing	1	125
8.12	RDB4004	Gear Shaft Washer 10mm Id	1	7
8.13	RDB3048	Key Steel	1	42
8.14	RDB3046	Gear Axel	1	1,004
8.15	RDB2010	Gear Lever Shaft	1	277
8.16	RDB2022	Dual Gear	1	1,703
8.17	RDB4002	Washer	2	52
8.18	RDC4016	Needle Bearing	2	104
8.19	RDC4017	Circlip	1	35
8.20	RDC4018	Big Gear	1	1,059
8.21	RDC4019	Roll Bearing	1	287
8.22	RDC4020	Oil Seal	1	142
8.23	RD45614	Straight Pin	1	437
8.24	RM17134	Rolling Bearing 608	1	512
8.25	RDC4021	Shaft Gear	1	1,845
8.26	RDC4022	Flat Key	1	10
8.27	RDC4023	Gear	1	1,005
8.28	RDC4024	Oil Baffle Plate	1	69
8.29	RDC4025	Inner Gear Plate	1	554
8.30	RDC4026	Seal Washer	1	644
8.31	RD45522	Rolling Bearing 6001	1	1,358
8.32	RDC4027	Armature	1	7,276
8.33	RD43603	Rolling Bearing 629	1	648
8.34	RDB3069	Bearing Sleeve	1	884
8.35	RDC4029	Inductor	1	454
8.36	RDC4030	Baffle Plate	1	59
8.37	RDC4031	Tapping Screw	2	28
8.38	RDC4032	Field Coil	1	5,271
8.39	RDC4034	Lead Wire	1	52
8.40	RDC4035	Lead Wire	1	52
8.41	RDC4036	Motor Casing	1	1,146
8.41	RDC4118	Motor Casing	1	1,146
8.42	RDC4037	Lead Wire	1	52

Drg. No.	Part No.	Description	Qty./Tool	Price (₹)
8.43	RD33616	Carbon Brush	2	43
8.44	RDC4038	Brush Holder	2	630
8.45	RD33614	Lead Wire	2	232
8.46	RDC4040	Terminal	1	52
8.47	RD35617	Screw M3×6 Btn Hd	6	78
8.48	RD45613	Speed Controller Module	12	27
8.49	RDC4041	Tapping Screw	1	5,798
8.50	RDA4035	Top Cap	2	141
8.51	RDC4043	Top Cap	1	305
8.51	RDC4119	Tapping Screw	1	305
8.52	RDC4044	Tapping Screw	4	17
8.53	RDA4034	Clamp	4	141
8.54	RDC4045	Plastic Tube	1	151
8.55	RDC4046	Lead Wire(green)	1	138
8.56	RDC4047	Lead Wire(brown)	1	52
8.57	RDC4048	Lead Wire(black)	1	52
8.58	RDC4049	Lead Wire(blue)	1	52
8.59	RDC4050	Lead Wire(red)	1	52
8.60	RDC4051	Lead Wire(white)	1	52
8.61	RDC4052	Magnet 230v	1	52
9	RDC4053	Spring Washer	1	13,767
10	RD4079	Screw	4	27
11	RDC4055	Cable Bush	2	141
12	RDA4005	Screw	1	360
13	RDC4056	Nut	4	141
14	RDC4057	Screw M4×8 Btn Hd	4	141
15	RDA4021	Right Side Plate	13	141
16	RDC4149	Screw M6×20 Cap Hd	1	599
17	RD4098	Screw M6×16 Cap Hd	1	27
18	RDA4029	Spring Washer	2	141
19	RDC4104	Bush	2	141
20	RDA3092	Capstan Washer	2	401
21	RDA4006	Circlip	2	55
22	RDA4004	Screw	2	151
23	RDC4059	Guide Bar	10	141
24	RDC4060	Slide	2	280
25	RDC4061	Rack	1	1,070
26	RDC4062	Screw	1	640
27	RDC4063	Chain	6	42
28	RDC4064	Nut	1	464
29	RDA4205	Chain	2	141
30	RDC4065	Screw M3×8 Csk Hd	1	141
31	RDA4204	Screw	14	141
32	RDC4066	Coolant Bottle Assembly	1	141
33	RDC4067	Screw M4×8 Btn Hd	1	1,610
34	RDD4118	Screw	2	141
35	RDC4068	Housing	2	141
36	RDC4069	Handle Insert	1	8,463
37	RDA5008	M4 Nut	1	201
38	RD4068	Earth Lable	4	27
39	RD45604	Cable Clamp	1	56
40	RDA4070		1	141

MODEL : COMMANDO 50

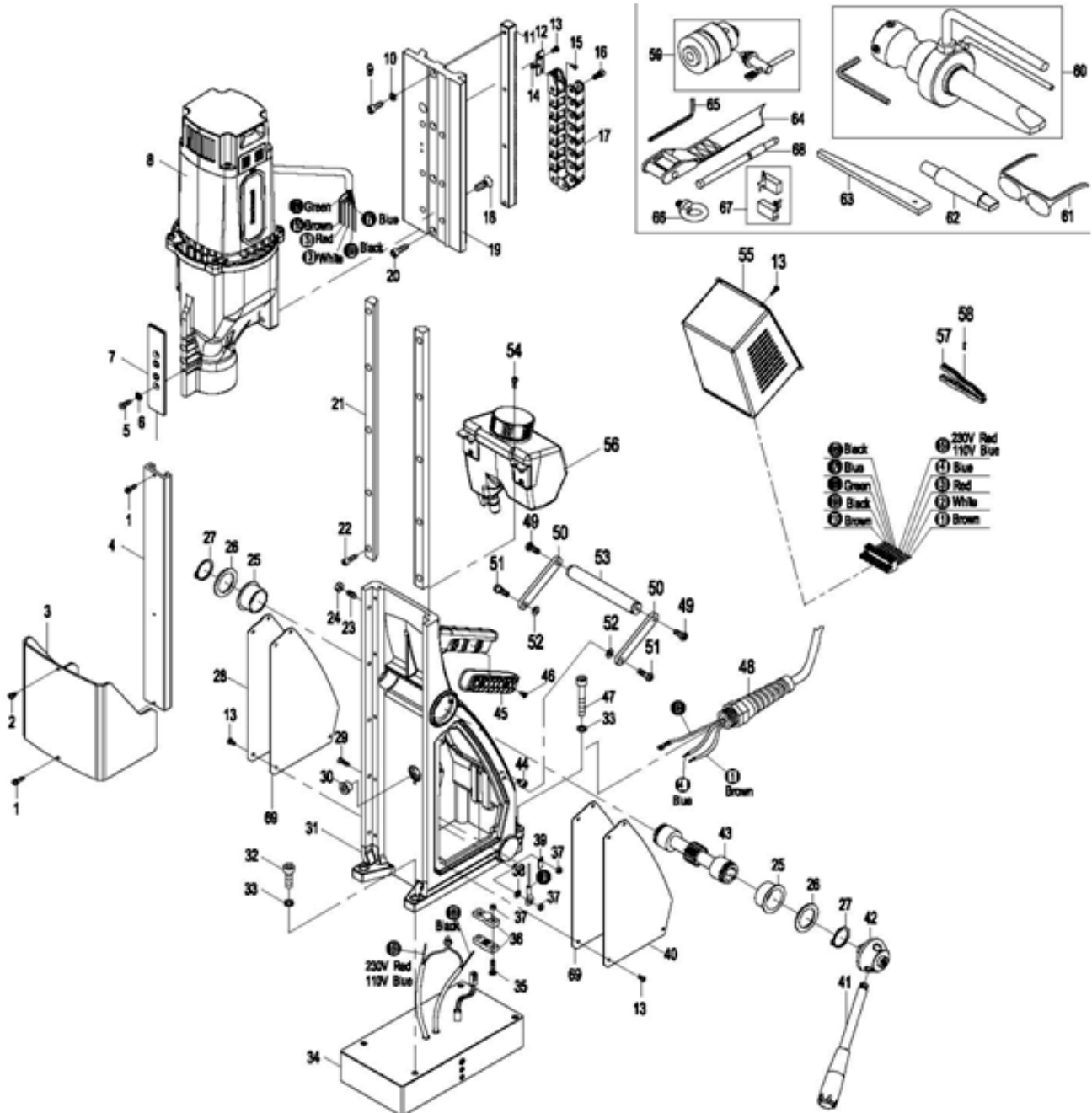
40mmx50mm Magnetic Core Drilling Machine

◀ SPARES

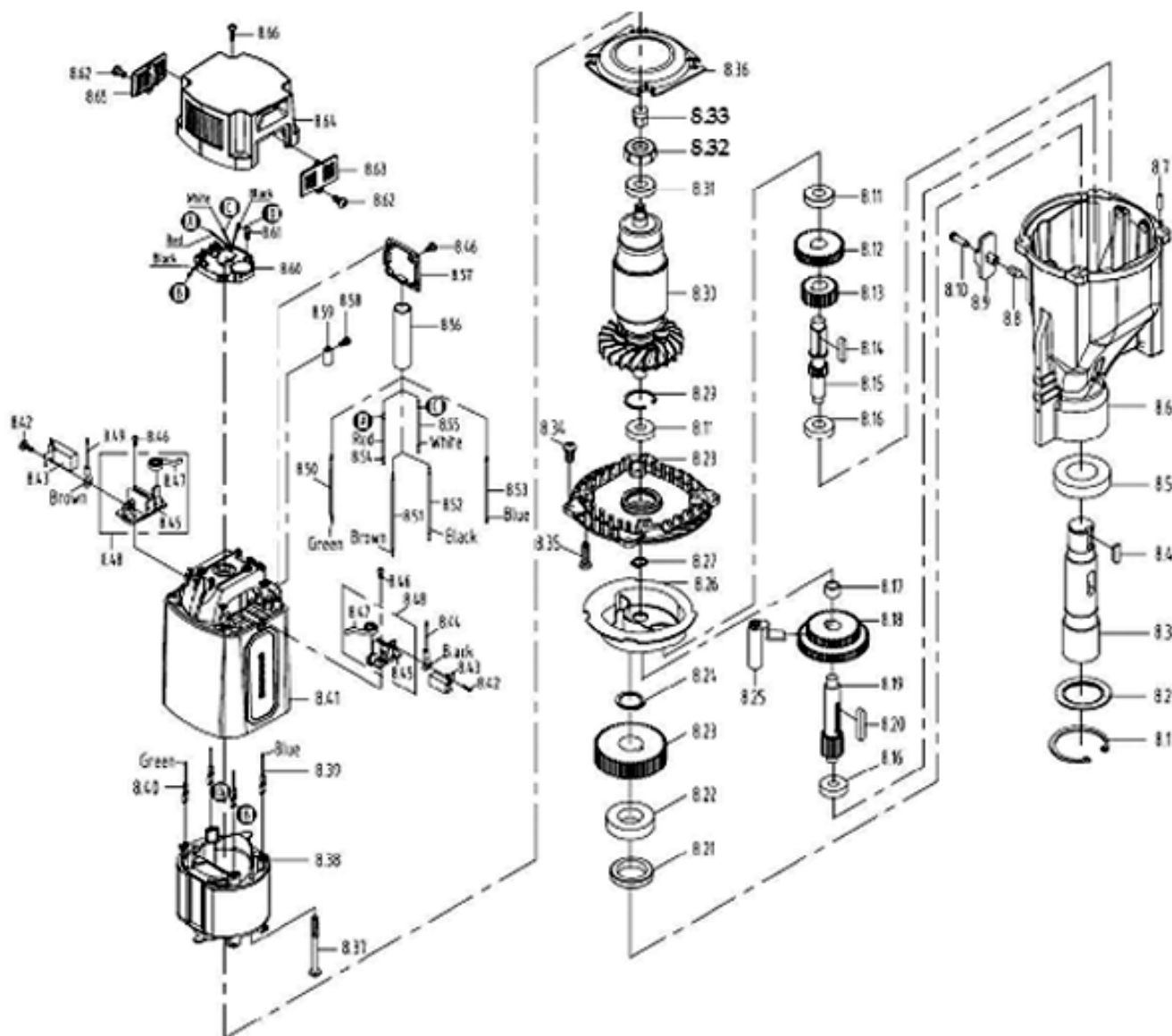
Drg. No.	Part No.	Description	Qty./Tool	Price (₹)
41	RDA4071	Screw M4×18cap Hd	2	21
42	RDD4140	Capstan Arm	3	353
43	RDA3015	Capstan Hub	1	1,232
44	RDC4070	Capstan Spindle	1	1,367
45	RDC4151	Left Side Panel	1	599
46	RD4069	Washer	1	27
47	RDC4073	Screw	2	141
48	RDC4074	Cable Plug Assembly 230v	1	2,667
49	RDC4152	Control Panel Assembly 230v	1	31,500
50	RDC4080	Tapping Screw St2.9×12	3	141
51	RDC4081	Clamp	1	141
52	RDC4082	Stationary Ring	2	1,404
53	RDC4083	Safety Belt	1	458
54	RD4152	3mm Hexagonal Spanner	1	401
55	RDC4084	13mm Chuck	1	883
56	CA120	Arbor Assembly	1	25,516
57	RDC4086	Drift	1	543
58	RDC4087	Arbor Shank	1	2,890
59	RDA3105	Goggle	1	840
60	RDC4088	Brush 1 Pair 230v	1 Pair	713

SPARES ▶

MODEL : COMMANDO 75 VIEW OF MACHINE



VIEW OF MOTOR AND GEAR BOX





SPARES ▶

MODEL : COMMANDO 75

75mmx75mm Magnetic Core Drilling Machine

Drg. No.	Part No.	Description	Qty./Tool	Price (₹)
1	RDA4201	Screw M4x14 Button Head	2	141
2	RDC4004	Screw M4x8 Button Head	1	141
3	RDD4014	Element 75 Guard	1	1,545
4	RDD4015	Slide Channel	1	755
5	RDC4001	Screw M5x12 Csk Hd	2	151
6	RD45607	M5 Csk Washer	2	15
7	RDD4017	Guard Support	1	755
9	RDA4029	Screw M6x16 Cap Hd	3	141
10	RDC4104	Spring Washer	3	141
11	RDD4081	Rack	1	1,511
12	RDC4065	Cable Chain Attachment	1	141
13	RDA4021	Screw M4x8 Button Head	14	141
14	RDA4205	M3 Nut	2	141
15	RDA4204	Screw M3x8 Csk Hd	2	141
16	RDC4066	Screw M5x12 Button Head	1	141
17	RDD4084	Chain	1	983
18	RDD4085	Screw M8x22 Csk Hd	6	141
19	RDD4086	Slide	1	2,872
20	RDD4087	Screw M6x22 Cap Hd	1	141
21	RDD4088	Guide Bar	2	702
22	RDC4059	Screw M5x16 Cap Hd	10	141
23	RDC4056	Grub Screw M6x15	5	141
24	RDC4057	M6 Nut	5	141
25	RDD4092	Bush	2	141
26	RDD4093	Capstan Washer	2	141
27	RDD4094	Circlip	2	141
28	RDD4095	Right Side Panel	1	1,511
29	RDC4068	Screw M4x16 Csk Hd	2	141
30	RDA4005	Cable Bush	1	360
31	RDD4097	Main Housing	1	11,929
32	RDC4055	Screw M8x25 Cap Hd	2	141
33	RD4079	Spring Washer	4	27
34	RDD4100	Magnet-230v	1	26,145
34	RDD4101	Magnet-110v	1	31,374
35	RDA4071	Screw M4x22	2	21
36	RDA4070	Cable Clamp	1	141
37	RD4068	M4 Nut	4	27
38	RD4069	M4 Washer	1	27
39	RD45604	Earth Label	1	56
40	RDD4103	Left Side Panel	1	1,511
41	RDD4104	Capstan Arm	3	702
42	RDD4105	Capstan Hub	1	2,245
43	RDD4106	Intermediate Gear Shaft	1	1,684
44	RDD4107	Screw M5x8 Cap Hd	2	141
45	RDD4108	Handle Insert	1	702
46	RDD4315	Screw M4x8 Csk Hd	4	151
47	RDC4073	Screw M8x45 Cap Hd	2	141
48	RDC4074	Power Cable-230v	1	2,667
48	RDD4112	Power Cable-110v	1	5,894
49	RDD4113	Screw M6x15 Button Head	2	141
50	RDD4114	Capstan Bracket	2	420
51	RDD4115	Bracket Screw	2	141

Drg. No.	Part No.	Description	Qty./Tool	Price (₹)
52	RDD4116	Washer 6	2	141
53	RDD4117	Handle	1	420
54	RDD4118	Screw M4x12 Button Head	2	141
55	RDD4119	Control Panel Assembly-3t	1	31,736
55	RDD4120	Control Panel Assembly-1t	1	31,736
56	RDD4123	Coolant Bottle Assembly	1	2,245
57	RDC4081	Clamp (using 110v)	1	141
58	RDC4080	Tapping Screw St2.9x12(using 110v)	3	141
59	RDD4126	Chuck	1	1,824
60	CA130	Arbor Assembly	1	25,516
61	RDA3105	Safety Glasses	1	882
62	RDD4128	Arbor Shank	1	4,491
63	RDD4129	Drift	1	1,058
64	RDC4083	Safety Belt	1	458
65	RD4152	3mm Hexagonal Spanner	1	401
66	RDC4082	Stationary Ring	2	1,404
67	RDD4132	Spare Brush-230v (pair)	1	1,266
67	RDD4133	Spare Brush-110v (pair)	1	1,520
68	RA3120	Pilot Pin	1	5,378
69	RDD4148	Foam Insert	2	201
8	RDD4018	Motor Assembly-230v	1	40,804
8	RDD4019	Motor Assembly-110v	1	48,965
8.1	RDD4020	Circlip	1	141
8.2	RDD4021	Oil Seal Washer	1	141
8.3	RDD4022	Arbor Spindle	1	2,947
8.4	RDD4023	Key Steel	1	141
8.5	RDD4024	Rolling Bearing 6006	1	983
8.6	RDD4025	Gear Box	1	3,023
8.7	RD45614	Straight Pin	1	437
8.8	RDB4008	Spring	1	141
8.9	RDB3030	Gear Lever	1	141
8.10	RDC4013	Gear Lever M4 Shoulder Bolt	1	141
8.11	RD45522	Rolling Bearing 6001	2	1,358
8.12	RDD4028	Helical Gear	1	1,511
8.13	RDD4029	Gear	1	1,058
8.14	RDD4030	Key Steel	1	151
8.15	RDD4031	Shaft Gear	1	755
8.16	RDD4032	Rolling Bearing 6000	2	454
8.17	RDD4033	Needle Bearing	1	301
8.18	RDD4034	Sliding Gear Unit	1	3,476
8.19	RDD4035	Shaft Gear	1	2,116
8.20	RDD4036	Key Steel	1	151
8.21	RDD4037	Oil Seal	1	280
8.22	RDD4038	Rolling Bearing 6005	1	702
8.23	RDD4039	Gear	1	2,721
8.24	RDA4004	Circlip	1	151
8.25	RDD4040	Gear Lever Shaft	1	301
8.26	RDD4041	Oil Baffle Plate	1	151
8.27	RDD4042	Circlip	1	141
8.28	RDD4043	Gear Plate	1	1,058
8.29	RDD4044	Circlip	1	141
8.30	RDD4045	Armature-230v	1	12,090

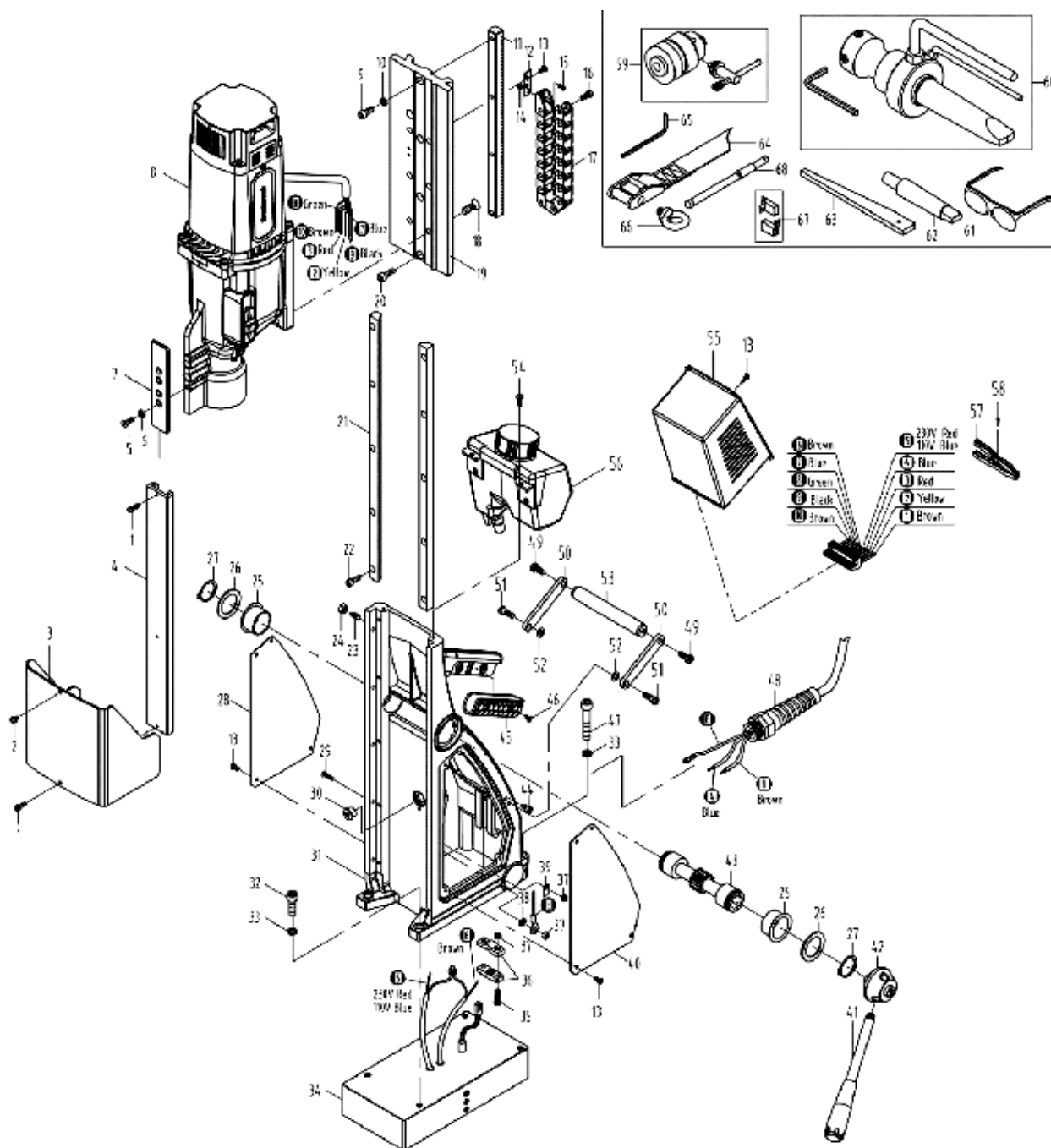
MODEL : COMMANDO 75

75mmx75mm Magnetic Core Drilling Machine

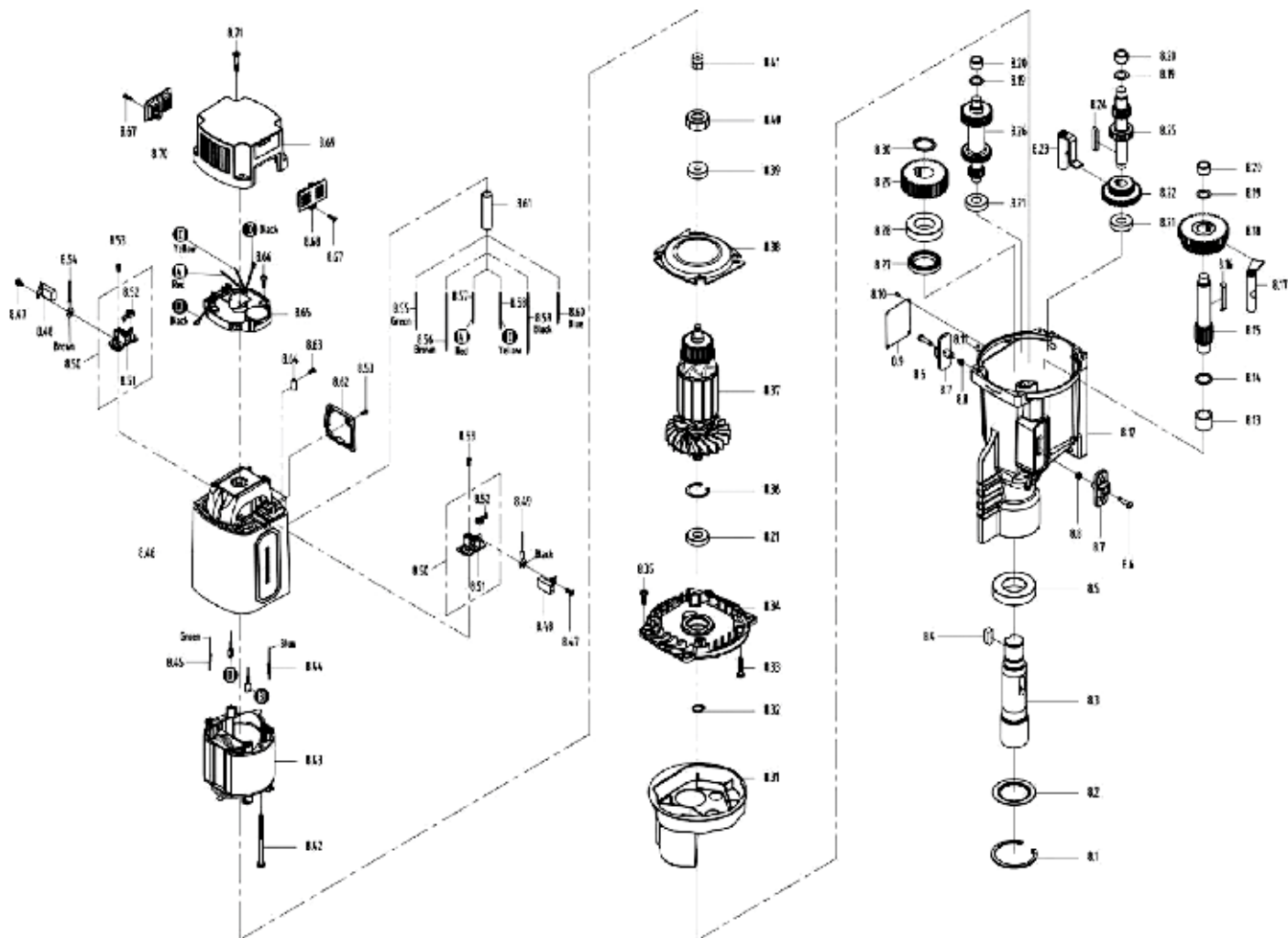
Drg. No.	Part No.	Description	Qty./Tool	Price (₹)
8.30	RDD4046	Armature-110v	1	14,508
8.31	RD43603	Rolling Bearing 629	1	648
8.32	RDD4048	Bearing Sleeve	1	141
8.33	RDC4029	Inductor	1	454
8.34	RDD4050	Screw M5×16 Button Head	4	141
8.35	RDD4051	Tapping Screw St4.8×25	4	141
8.36	RDD4052	Baffle Plate	1	151
8.37	RDD4053	Tapping Screw St4.8×70	2	151
8.38	RDD4054	Field Coil-230v	1	7,557
8.38	RDD4055	Field Coil-110v	1	9,068
8.39	RDD4056	Lead Wire	1	141
8.40	RDD4057	Lead Wire	1	141
8.41	RDD4058	Motor Housing	1	1,545
8.42	RDA4021	Screw M4×8 Button Head	2	141
8.43	RDD4059	Brush-230v	2	702
8.43	RDD4060	Brush-110v	2	843
8.44	RDD4061	Lead Wire	1	141
8.45	RDD4062	Brush Frame Assembly	2	280
8.46	RDA4034	Tapping Screw St2.9×8	8	141
8.47	RDD4063	Spring	2	141
8.48	RDD4064	Brush Frame Assembly	2	280
8.49	RDD4065	Lead Wire	1	141
8.50	RDD4066	Lead Wire(green)	1	141
8.51	RDD4067	Lead Wire(brown)	1	141
8.52	RDD4068	Lead Wire(black)	1	141
8.53	RDD4069	Lead Wire(blue)	1	141
8.54	RDD4070	Lead Wire(red)	1	141
8.55	RDD4071	Lead Wire(white)	1	151
8.56	RDD4072	Plastic Tube	1	280
8.57	RDC4045	Wire Box Cover	1	151
8.58	RD45613	Screw M3×6	12	27
8.59	RD35617	Terminal	6	78
8.60	RDD4074	Speed Controller Module-230v	1	8,614
8.60	RDD4075	Speed Controller Module-110v	1	10,337
8.61	RDA4035	Tapping Screw St4.2×12	2	141
8.62	RDD4076	Tapping Screw St2.9×12	2	141
8.63	RDD4077	Left Brush Cap	1	141
8.64	RDD4078	Top Cap	1	702
8.65	RDD4079	Right Brush Cap	1	141
8.66	RDD4080	Tapping Screw St4.2×25	4	141

SPARES ▶

MODEL : COMMANDO 100 NEW VIEW OF MACHINE



VIEW OF MOTOR AND GEAR BOX





SPARES ▶

MODEL : COMMANDO 100 NEW

100mmx100mm Magnetic Core Drilling Machine

Drg. No.	Part No.	Description	Qty./Tool	Price (₹)
1	RDA4201	Screw M4×14 Button Head	2	141
2	RDC4004	Screw M4×8 Button Head	1	141
3	RDD4014	Element 75 Guard	1	1,545
4	RDE4020	Slide Channel	1	702
5	RDA4201	Screw M5×12 Csk Hd	2	141
6	RD45607	M5 Csk Washer	2	15
9	RDA4029	Screw M6×16 Cap Hd	3	141
10	RDC4104	Spring Washer	3	141
11	RDE4090	Rack	1	1,404
12	RDC4065	Cable Chain Attachment	1	141
13	RDA4021	Screw M4×8 Button Head	10	141
14	RDA4205	M3 Nut	2	141
15	RDA4204	Screw M3×8 Csk Hd	2	141
16	RDC4066	Screw M5×12 Button Head	1	141
17	RDD4084	Chain	1	983
18	RDD4085	Screw M8×22 Csk Hd	6	141
19	RDE4095	Slide	1	2,947
20	RDD4087	Screw M6×22 Cap Hd	1	141
21	RDD4088	Guide Bar	2	702
22	RDC4059	Screw M5×16 Cap Hd	10	141
23	RDC4056	Grub Screw M6×15	5	141
24	RDC4057	M6 Nut	5	141
25	RDD4092	Bush	2	141
26	RDD4093	Capstan Washer	2	141
27	RDD4094	Circlip	2	141
28	RDE4104	Right Side Panel	1	1,404
29	RDC4068	Screw M4×16 Csk Hd	2	141
30	RDA4005	Cable Bush	1	420
31	RDD4097	Main Housing	1	11,929
32	RDC4055	Screw M8×25 Cap Hd	2	141
33	RD4079	Spring Washer	4	27
34	RDE4109	Magnet-230v	1	25,540
34	RDE4110	Magnet-110v	1	30,650
35	RDA4071	Screw M4×22	2	21
36	RDA4070	Cable Clamp	1	141
37	RD4068	M4 Nut	4	27
38	RD4069	M4 Washer	1	27
39	RD45604	Earth Label	1	56
40	RDE4112	Left Side Panel	1	1,404
41	RDD4104	Capstan Arm	3	702
42	RDD4105	Capstan Hub	1	2,245
43	RDD4106	Intermediate Gear Shaft	1	1,684
44	RDD4107	Screw M5×8 Cap Hd	1	141
45	RDD4108	Handle Insert	2	702
46	RDA4204	Screw M4×8 Csk Hd	1	141
47	RDC4073	Screw M8×45 Cap Hd	4	141
48	RDC4074	Power Cable-230v	2	2,667
48	RDD4112	Power Cable-110v	1	5,894
49	RDD4113	Screw M6×15 Button Head	1	141
50	RDD4114	Capstan Bracket	2	420
51	RDD4115	Bracket Screw	2	141

Drg. No.	Part No.	Description	Qty./Tool	Price (₹)
52	RDD4116	Washer 6	2	141
53	RDD4117	Handle	1	420
54	RDD4118	Screw M4×12 Button Head	6	141
55	RDE4128	Control Panel Assembly-230v	1	29,470
55	RDE4129	Control Panel Assembly-110v	1	35,364
56	RDD4123	Coolant Bottle Assembly	1	2,245
57	RDC4081	Clamp (using 110v)	1	141
58	RDC4080	Tapping Screw St2.9×12(using 110v)	3	141
59	RDD4126	Chuck	1	1,824
62	RDD4128	Arbor Shank	1	4,491
65	RD4152	3mm Hexagonal Spanner	1	401
66	RDC4082	Stationary Ring	1	1,404
8	RDE4023	Motor Assembly-230v	1	44,205
8	RDE4024	Motor Assembly-110v	1	53,046
8.1	RDD4020	Circlip	1	141
8.2	RDD4021	Oil Seal Washer	1	141
8.3	RDD4022	Arbor Spindle	1	2,947
8.4	RDD4023	Key Steel	1	141
8.5	RDD4024	Rolling Bearing 6006	1	983
8.6	RDC4013	Gear Lever M4 Shoulder Bolt	2	141
8.7	RDB3030	Gear Lever	2	141
8.8	RDB4008	Spring	2	141
8.10	RDE4033	Rivet	4	141
8.11	RD45614	Straight Pin	1	437
8.12	RDE4034	Gear Box	1	4,211
8.13	RDE4035	Needle Bearing	1	280
8.14	RDE4036	Washer	1	141
8.15	RDE4037	Gear Axel	1	1,965
8.16	RDE4038	Key Steel	1	141
8.17	RDE4039	Right Gear Lever Shaft	1	280
8.18	RDE4040	Dual Gear	3	1,404
8.19	RDE4041	Washer	3	141
8.20	RDE4042	Needle Bearing	3	280
8.21	RD45522	Rolling Bearing 6001	1	1,358
8.22	RDE4043	Dual Gear	1	2,386
8.23	RDE4044	Left Gear Lever Shaft	1	280
8.24	RDE4045	Key Steel	1	141
8.25	RDE4046	Gear Axel	1	3,087
8.26	RDE4047	Gear Assembly	1	4,211
8.27	RDD4037	Oil Seal	1	280
8.28	RDD4038	Rolling Bearing 6005	1	702
8.29	RDE4050	Drive Gear	1	2,245
8.30	RDD4042	Circlip	1	141
8.31	RDE4051	Oil Baffle Plate	1	280
8.32	RDD4042	Circlip	1	141
8.33	RDD4051	Tapping Screw St4.8×25	4	141
8.34	RDE4053	Gear Plate	1	1,404
8.35	RDD4050	Screw M5×16 Button Head	4	141
8.36	RDD4044	Circlip	1	141
8.37	RDE4056	Armature-230v	1	11,227
8.37	RDE4057	Armature-110v	1	13,470

MODEL : COMMANDO 100 NEW

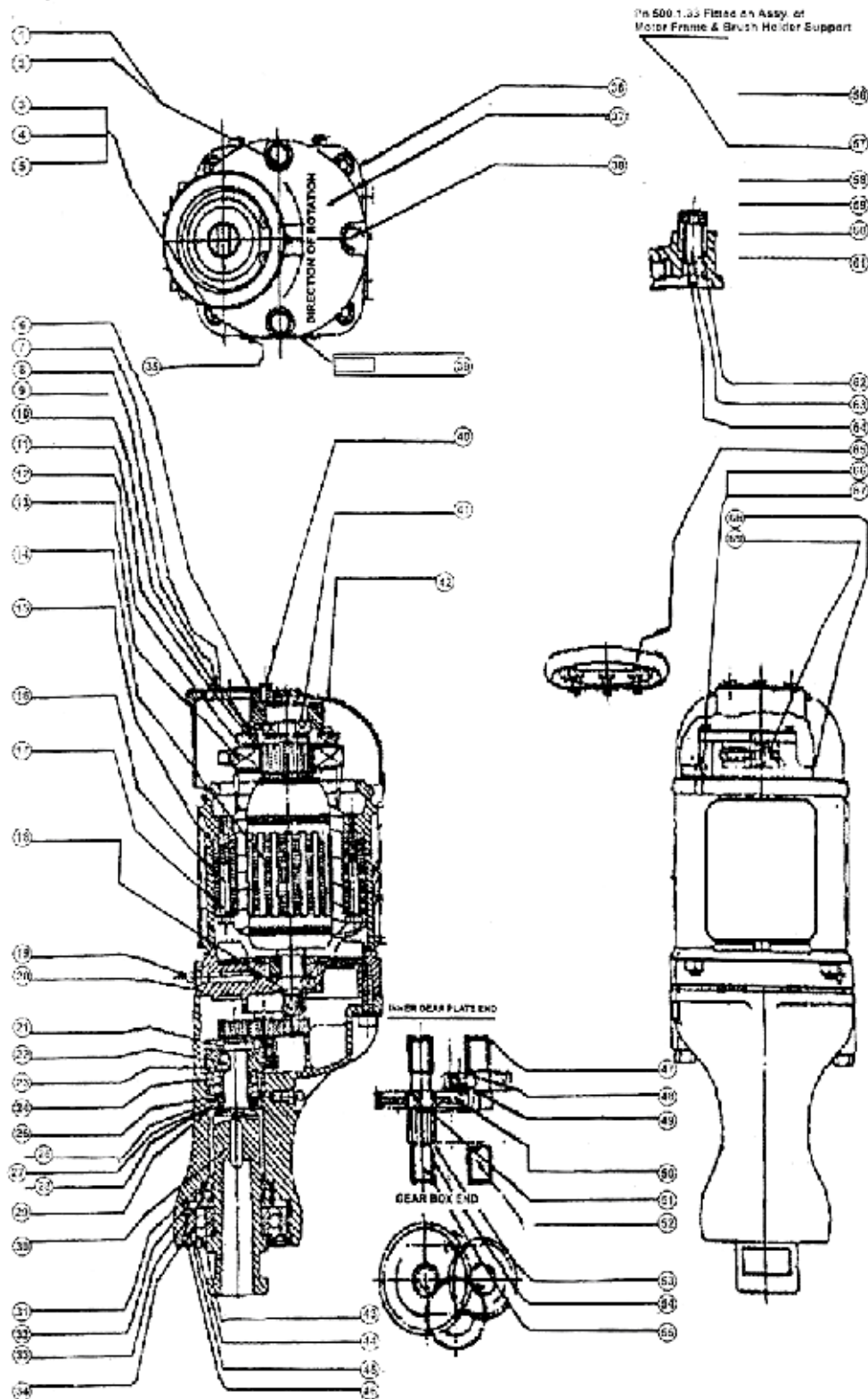
◀ SPARES

Drg. No.	Part No.	Description	Qty./Tool	Price (₹)
8.39	RDC4056	Rolling Bearing 629	1	141
8.40	RDD4048	Bearing Sleeve	1	141
8.41	RD35639	Inductor	1	78
8.42	RDE4062	Tapping Screw St4.8×75	2	141
8.43	RDE4063	Field Coil-230v	1	7,017
8.43	RDE4064	Field Coil-110v	1	8,420
8.44	RDD4056	Lead Wire	1	141
8.45	RDD4057	Lead Wire	1	141
8.46	RDD4058	Motor Housing	1	1,545
8.47	RDA4021	Screw M4×8 Button Head	2	141
8.48	RDD4059	Brush-230v	2	702
8.48	RDD4060	Brush-110v	2	843
8.49	RDD4061	Lead Wire	1	141
8.50	RDD4064	Brush Frame Unit	2	280
8.51	RDD4062	Brush Frame Assembly	2	280
8.52	RDD4063	Spring	2	141
8.53	RDA4034	Tapping Screw St2.9×8	8	141
8.54	RDD4065	Lead Wire	1	141
8.55	RDD4066	Lead Wire?green?	1	141
8.56	RDD4067	Lead Wire?brown?	1	141
8.57	RDD4070	Lead Wire?red?	1	141
8.58	RDD4069	Lead Wire?yellow?	1	141
8.59	RDD4068	Lead Wire?black?	1	141
8.60	RDD4069	Lead Wire?blue?	1	141
8.61	RDD4072	Plastic Tube	1	280
8.63	RD45613	Screw M3×6	12	27
8.64	RD35617	Terminal	6	78
8.65	RDE4083	Speed Controller Module-230v	1	8,000
8.65	RDE4084	Speed Controller Module-110v	1	9,599
8.66	RDA4035	Tapping Screw St4.2×12	2	141
8.67	RDD4076	Tapping Screw St2.9×12	2	141
8.68	RDD4077	Left Brush Cap	1	141
8.69	RDD4078	Top Cap	1	702
8.70	RDD4079	Right Brush Cap	1	141
8.71	RDD4080	Tapping Screw St4.2×25	4	141

SPARES ▶

MODEL : NW50s

50mmx50mm Magnetic Core Cum Taper Shank Twist Bit Drilling Machine





MODEL : NW50s

◀ SPARES

50mmx50mm Magnetic Core Cum Taper Shank Twist Bit Drilling Machine

Drg. No.	Part No.	Description	Qty./Tool	Price (₹)
2	602.1.25	Screw	2	25
3	229.1.04	Stud	4	76
4	604.1.23	Nut	4	20
6	278.1.74	Cover	1	100
7	600.1.08	Screw 0bax5/8"	3	20
8	601.1.28	Screw	4	20
10	500.1.40	InsIn Strip	2	20
11	500.1.39	Br Holder Block	2	50
12	252.1.25	Brush Holder	2	181
13	251.9.29	Carbon Brush	1 PAIR	181
14	832.3.23	Armature	1	4,826
15	821.3.15	Field Coil	1	2,099
16	600.1.04	Bolt	2	25
17	231.1.17	Washer	2	20
18	272.1.43	Bearing 6202 Zz	1	449
19	500.1.30	Grease Nipple	2	20
20	270.1.32	Gear Plate	1	1,177
21	604.1.49	Nut	1	34
22	275.1.79	Key	1	34
23	300.1.65	Gear	1	641
24	272.1.65	Bearing 6203 Zz	1	294
25	606.1.03	Washer	1	166
26	235.1.24	Washer	1	20
27	322.1.26	Shim	1	20
28	236.1.14	Washer	1	84
29	311.1.26	Circlip	1	20
30	290.1.78	Spindle	1	2,734
31	322.1.27	Shim	1	20
32	235.1.22	Felt Washer	1	20
33	272.1.54	Bearing Xlt35	1	572
34	272.1.49	Bearing 6207 Zz	1	827
35	225.1.02	Rivet	4	20
36	260.1.59	Motor Frame	1	3,755
37	265.1.42	Gear Box	1	3,038
38	602.1.26	Screw	1	20
39	350.1.69	Name Plate	1	25
41	272.1.23	Bearing 6201 Zz	1	246
42	278.1.62	End Cover	1	557
43	235.1.23	Felt Washer	1	20
44	322.1.28	Shim	1	25
45	312.1.14	Brg. Cover	1	20

Drg. No.	Part No.	Description	Qty./Tool	Price (₹)
46	311.1.34	Circlip	1	50
47	312.1.12	Cover	1	20
49	300.1.63	Gear	1	533
50	300.1.66	Gear For Nw50	1	1,177
52	300.1.80	Spindle Gear For Nw50	1	572
53	230.1.26	Washer	1	20
54	274.1.44	Bush Brg	4	65
55	300.1.84	Gear	1	664
56	337.1.01	Drift	1	84
57	500.1.33	Pin	2	50
58	500.1.42	Plug	2	20
59	291.4.8	Three Core Supply Cable	1	895
60	269.1.6	Conduite Pipe	1	800
61	499.1.63	Elbow	1	25
62	310.1.36	Spring	1	20
63	500.1.37	Plunger	1	20
64	500.1.38	Plunger Cap	1	44
66	606.1.33	Washer	2	20
67	600.1.03	Screw	2	20
68	254.1.16	Rocker	2	50
69	601.1.29	Screw	4	20
70	401.1.09	Oil Resorvior	2	20
71	329.1.23	Tubler Handle	1	148
72	510.3.04	Mt3 Adaptor	1	3,505
73	229.1.13	L Stud Assly	1	181
74	499.1.61	Coupler	1	223
75	431.1.01	O Ring	1	44
76	409.1.15	Flange.	1	303
1,5	231.1.19	Washer	11	20
9,40	606.1.07	Washer	4	20
48,51	275.1.52	Key	2	44
48,49,52	300.3.80	Gear Assembly	1	1,129
50,55,48,	300.3.66	Gear Assembly	1	1,872
69,11,12,10	862.3.25	Br Holder Assembly	1	238
58,19,54,	265.2.42	Gear Box S Assembly	1	3,177
37,70				

SPARES ►

MODEL : NW50s MAGNETIC STAND (500.2.53)

Drg. No.	Part No.	Description	Qty./Tool	Price (₹)
1	500.3.56	Coolant Tank	1	734
2	500.3.09	Rack With Slide	1	4,110
3	602.1.70	Allan Bolt 3/16"x1/2"	2	28
4	500.3.57	Brass Plate	2	3,523
5	500.3.58	Metallic Strip	2	587
6	602.1.71	Hex Bolt 1/4" X 3/4"	12	70
7	3293.3.05	Oprating Lever	3	440
8	302.1.28	Pinion	1	1,218
9	230.1.29	Pinion's Washer	1	88
10	602.1.72	Hex Bolt 1/4"x 1/2"	1	6
11	500.3.59	Main Body	1	6,753
12	602.1.73	Hex Bolt 5/16x3/4" Bsf	4	60
13	500.1.15	Lamp Sets (red & Green)	3	265
14	500.1.21	Chain	1	294
15	500.1.28	Electric Board	1	294
16	500.1.29	Clamp Attachment For Drill	1	2,202
17	330.1.21	Switch For Drill	1	998
18	330.1.22	Switch For Magnet	1	265
19	601.1.99	Screw 3/16"x 3/8"	4	23
20	500.1.91	Fuse	1	132
21	602.1.74	Hex Bolt 5/16"x 1 1/4" Bsf	1	15
23	602.1.75	Hex Bolt 5/16" X 1 1/4" Bsf	4	60
24	500.1.95	Magnetic Base	1	4,698
25	1850.2.15	Magnetic Coil	2	3,523
24 & 25	500.3.95	Magnetic Base Assy	1	11,743
26	291.48	Power Connetion Cable	1	895
27	270.1.46	Drum Cover Plate (aluminium)	2	294
28	311.1.42	Circlip	2	235
29	600.3.30	Sets Screw	4	23
30	501.1.10	Nipple	1	352
32	500.3.10	Rectifire (part Not Shown)	1	587
33	274.1.90	Body Bush	1	294
34	500.1.48	Power Plug	1	206
35	500.3.28	Switch Board Assly	1	3,670

MODEL : MS

Magnetic Stand for WDH / NW10

Drg. No.	Part No.	Description	Qty./Tool	Price (₹)
1	A300.1.01	Rack With Slide	1	2,786
2	A329.1.01	Handle	1	148
2	A500.1.01	Handle Knob	1	44
3	A300.1.02	Spindle Pinion	1	704
3	A290.1.01	Spindle Shaft	1	641
3	A278.1.01	Spindle Cover (bati)	1	565
4	B500.1.13	Safety Chain	1	256
5	A500.1.09	Aluminium Body	1	7,422
6	A500.1.04	Lamp	1	148
8	A330.1.01	Switch	1	288
9	A500.1.03	Fuse Socket	1	114
11	A500.1.09	Al.bracket (panja)	1	704
12	B500.1.08	Flange Set	1	588
14	A240.1.02	Adapter Bolt	1	588
16	A500.1.06	Drum Cover Plate (al)	1	5,072
16	A500.1.07	Drum Cover Plate (al)	1	664
17	A443.1.01	Power Plug	1	288
18	A500.1.05	Rectifier	1	769
20	A810.1.01	Magnetic Coil	1	6,923
21	A311.1.01	Circlip	1	288
22	A500.1.08	Brass Plate	1	1,461
	A310.1.01	Spring	1	502
	A432.1.01	Spring Cap	1	393
	B500.1.09	Body Bush	1	166
	B500.1.10	Guard Bush	1	76
	B500.1.11	Key	1	44
	B500.1.12	Washer	1	44
	B500.1.14	Stud Screw	1	44

MODEL : MS10

Drg. No.	Part No.	Description	Qty./Tool	Price (₹)
1	267.1.89	Top Bracket For 1/4" Stand	1	1,086
2	267.1.82	Cap Bracket For 1/4" Stand	1	465
3	500.3.05	Support Clamp With Two Nuts 1.1/4"	1	702
4	267.1.91	Top Bracket For 3/4" Stand	1	1,086
5	267.1.92	Cap Bracket For 3/4" Stand	1	459
6	330.1.11	Toggle Switch	1	599
7	444.1.05	Supply Socket (Set) Backlite	1	399
8	500.3.03	Neon Bulb Holder With Bulb	1	318
9	291.48	Three Core Supply Cable	1	895
10	348.1.48	Aluminium Disc (Coil Retainer)	1	895
11	311.1.38	Circlip For Locking Alu.disc	1	437
12	500.3.04 A	Stabilizer Rod With Nut	1	599
13	279.1.55	Safety Clamp	1	118
14	500.1.19	Safety Chain (Set Of 2 Pcs)	1	695
15	500.3.01	Complete Rack Assembly	1	3,468
16	329.3.01	Operating Handle With Gear & Circlip	3	2,172
17	329.3.02	Operating Handle Lever With Knob (3 Pcs)	1	487
18	1850.2.14	Magnet Coil	1	8,687
19	500.3.52	Sapre Accessories Packet For 1.1/4"	1	3,864
20	311.1.40	Circlip For Operating Handle	1	105
21	500.3.04	Brass Liner For Slide(4 Pcs Set)	1	949
22	500.3.06	Brass Liner For Slide & Front (6pcs Set)	1	1,433
23	500.3.02	Rectifier Assembly	1	998
24	500.1.12	Neck Mounting Bracket	1	2,172

MODEL : 10FD

Felxible Shaft for FF2 / FSG2

Drg. No.	Part No.	Description	Qty./Tool	Price (₹)
1	249.1.22	Collet Nut	1	109
2	334.1.04	Special Collet	1	230
6	272.1.59	Bearing	2	281
13	500.3.77	Tool Holder	1	2,376
16	383.1.29	Inner Casing	1	1,032
17	383.1.28	Outer Casing	1	1,120

CUTTERS

HSS CUTTERS

For holes up to 25mm deep

SIZE	PART NO.	LIST PRICE (₹)
11mm - 13mm	RAP110 - RAP130	1159
14mm - 15mm	RAP140 - RAP150	1186
16mm - 17mm	RAP160 - RAP170	1240
18mm - 19mm	RAP180 - RAP190	1298
20mm - 21mm	RAP200 - RAP210	1361
22mm - 23mm	RAP220 - RAP230	1619
24mm - 25mm	RAP240 - RAP250	1681
26mm - 26mm	RAP260 - RAP270	1782
28mm - 29mm	RAP280 - RAP290	1921
30mm - 31mm	RAP300 - RAP310	2012
32mm - 33mm	RAP320 - RAP330	2104
34mm - 35mm	RAP340 - RAP350	2216
36mm - 37mm	RAP360 - RAP370	2514
38mm - 39mm	RAP380 - RAP390	2697
40mm - 41mm	RAP400 - RAP410	2954
42mm - 43mm	RAP420 - RAP430	3191
44mm - 45mm	RAP440 - RAP450	3503
46mm - 47mm	RAP460 - RAP470	3767
48mm - 49mm	RAP480 - RAP490	3977
50mm - 51mm	RAP500 - RAP510	4245
52mm	RAP520	4519

For holes up to 50mm deep

SIZE	PART NO.	LIST PRICE (₹)
12mm - 13mm	RAPL12 - RAPL13	1448
14mm - 15mm	RAPL14 - RAPL15	1511
16mm - 17mm	RAPL16 - RAPL17	1553
18mm - 19mm	RAPL18 - RAPL19	1615
20mm - 21mm	RAPL20 - RAPL21	1685
22mm - 23mm	RAPL22 - RAPL23	1915
24mm - 25mm	RAPL24 - RAPL25	2024
26mm - 27mm	RAPL26 - RAPL27	2137
28mm - 29mm	RAPL28 - RAPL29	2327
30mm - 31mm	RAPL30 - RAPL31	2444
32mm - 33mm	RAPL32 - RAPL33	2615
34mm - 35mm	RAPL34 - RAPL35	2786
36mm - 37mm	RAPL36 - RAPL37	3155
38mm - 39mm	RAPL38 - RAPL39	3349
40mm - 41mm	RAPL40 - RAPL41	3662
42mm - 43mm	RAPL42 - RAPL43	3961
44mm-45mm	RAPL44 - RAPL45	4351
46mm - 47mm	RAPL46 - RAPL47	4679
48mm - 49mm	RAPL48 - RAPL49	4952
50mm - 51mm	RAPL50 - RAPL51	5590
52mm	RAPL52	5746
53mm	RAPL53	5929
54mm	RAPL54	6128
55mm	RAPL55	6291
56mm	RAPL56	6484
57mm	RAPL57	6640
58mm	RAPL58	6823
59mm	RAPL59	6979
60mm	RAPL60	7172
61mm - 63mm	RAPL61 - RAPL63	8216
64mm - 65mm	RAPL64 - RAPL65	8411

CUTTERS ►

RAP Pilot Pins

SIZE	PART NO.	LIST PRICE (₹)
13mm-52mm	SRA25S	199
RAP120	RA3057	199

RAPL Pilot Pins

SIZE	PART NO.	LIST PRICE (₹)
13mm-65mm	SRA50	199
RAPL120	RA3013	199

TCT CUTTERS

For holes up to 25mm deep

SIZE	PART NO.	LIST PRICE (₹)
14mm - 20mm	CWC14 - CWC20	2057
21mm - 25mm	CWC21 - CWC25	2115
26mm - 30mm	CWC26 - CWC30	2232
31mm - 35mm	CWC31 - CWC35	2637
36mm - 40mm	CWC36 - CWC40	3020
41mm - 45mm	CWC41 - CWC45	3644
46mm - 49mm	CWC46 - CWC49	3910
50mm	CWC50	4139

For holes up to 50mm deep

SIZE	PART NO.	LIST PRICE (₹)
14mm - 20mm	CWCL14 - CWCL20	2272
21mm - 25mm	CWCL21 - CWCL25	2345
26mm - 30mm	CWCL26 - CWCL30	2488
31mm - 35mm	CWCL31 - CWCL35	2925
36mm - 40mm	CWCL36 - CWCL40	3345
41mm - 45mm	CWCL41 - CWCL45	4034
46mm - 49mm	CWCL46 - CWCL49	4337
50mm	CWCL50	4592
51mm	CWCL51	4979
52mm	CWCL52	5095
53mm	CWCL53	5249
54mm	CWCL54	5427
55mm	CWCL55	5544
56mm	CWCL56	5737
57mm	CWCL57	5875
58mm	CWCL58	5985
59mm	CWCL59	6090
60mm	CWCL60	6193
61mm	CWCL61	6383
62mm	CWCL62	6607
63mm	CWCL63	6854
64mm	CWCL64	7077
65mm	CWCL65	7310
66mm	CWCL66	8309

← CUTTERS

CWC Pilot Pins

SIZE	PART NO.	LIST PRICE (₹)
13mm-17mm	SRA90	199
18mm-50mm	RA3098	199

RAPL Pilot Pins

SIZE	PART NO.	LIST PRICE (₹)
13mm-17mm	SRA50	199
18mm-65mm	RA356	199

TCT CUTTERS

For holes up to 75mm deep

SIZE	PART NO.	LIST PRICE (₹)
18mm - 25mm	CWCT18 - CWCT25	4171
26mm - 30mm	CWCT26 - CWCT30	4547
31mm - 35mm	CWCT31 - CWCT35	5491
36mm - 40mm	CWCT36 - CWCT40	6265
41mm - 49mm	CWCT41 - CWCT49	7571
50mm - 52mm	CWCT50 - CWCT52	8632
53mm - 55mm	CWCT53 - CWCT55	9170
56mm	CWCT56	9490
57mm - 59mm	CWCT57 - CWCT59	9644
60mm	CWCT60	10332
61mm - 62mm	CWCT61 - CWCT62	10753
63mm - 65mm	CWCT63 - CWCT65	11069
66mm - 70mm	CWCT66 - CWCT70	11572

CWCT Pilot Pins

SIZE	PART NO.	LIST PRICE (₹)
18mm-50mm	RA231	488

CWCX Pilot Pins

SIZE	PART NO.	LIST PRICE (₹)
18mm-70mm	RA3092	1075

For holes up to 75mm deep

SIZE	PART NO.	LIST PRICE (₹)
18mm	CWCX18	5500
19mm	CWCX19	5651
20mm	CWCX20	5837
21mm	CWCX21	6435
22mm	CWCX22	6660
23mm	CWCX23	6885
24mm	CWCX24	7145
25mm	CWCX25	7334
26mm - 27mm	CWCX26 - CWCX27	8157
28mm	CWCX28	8230
29mm	CWCX29	8643
30mm	CWCX30	8944
31mm	CWCX31	8980
32mm	CWCX32	9092
33mm	CWCX33	9538
34mm - 35mm	CWCX34 - CWCX35	9585
36mm	CWCX36	10626
37mm	CWCX37	11039
38mm	CWCX38	11376
39mm	CWCX39	12196
40mm	CWCX40	13058
41mm	CWCX41	13280
42mm	CWCX42	13693
43mm	CWCX43	14143
44mm	CWCX44	14480
45mm	CWCX45	14853
46mm	CWCX46	15230
47mm	CWCX47	15791
48mm - 49mm	CWCX48 - CWCX49	17061
50mm	CWCX50	17325
51mm	CWCX51	17359
52mm	CWCX52	19004
53mm	CWCX53	19791
54mm	CWCX54	20729
55mm	CWCX55	21476
56mm	CWCX56	21747
57mm	CWCX57	22488
58mm	CWCX58	23387
59mm	CWCX59	24134
60mm	CWCX60	24583
61mm	CWCX61	24656
62mm	CWCX62	24732
63mm	CWCX63	24769
64mm	CWCX64	24881
65mm	CWCX65	25389
66mm	CWCX66	24920
67mm	CWCX67	24953
68mm	CWCX68	24993
69mm - 70mm	CWCX69 - CWCX70	25066
100mm	CWCX100	38279

CUTTERS ▶

PRICE LIST OF ACCESSORIES FOR COMMANDO SERIES

ACCESSORIES

TYPE	Description	Price (₹)
INDUSTRIAL ARBORS		
CA120	NO 2 M/T WITH COOLANT	25,516
CA130	NO 3 M/T WITH COOLANT	25,516
CA140	NO 4 M/T WITH COOLANT	38,000
CA020	NO 2 M/T WITHOUT COOLANT	22,754
CA030	NO 3 M/T WITHOUT COOLANT	22,754
CA040	NO 4 M/T WITHOUT COOLANT	35,223
CA1375	NO 3 M/T WITH COOLANT 19.05MM SHANK 75MM DEPTH OF CUT	27,732
CA330	NO 3 M/T WITH COOLANT 32MM SHANK 50MM DEPTH OF CUT	29,122
CA3375	NO 3 M/T WITH COOLANT 32MM SHANK 75MM DEPTH OF CUT	30,511
CA3310	NO 3 M/T WITH COOLANT 32MM SHANK 100MM DEPTH OF CUT	33,287
CA13100	NO 3 M/T WITH COOLANT 19.05MM SHANK 100MM DEPTH OF CUT	30,511
TWIST DRILL ADAPTORS		
RD2003/060	WELDON SHANK TO 6MM DIA	6,162
RD2003/080	WELDON SHANK TO 8MM DIA	6,162
RD2003/100	WELDON SHANK TO 10MM DIA	6,162
RD2003/120	WELDON SHANK TO 12MM DIA	6,162
TWIST DRILLS ON WELDON SHANK (For 19.05 mm)		
RRTW040	4MM DRILL	3,591
RRTW060	6MM DRILL	3,591
RRTW080	8MM DRILL	4,108
RRTW100	10MM DRILL	4,108
RRTW120	12MM DRILL	4,108
CARBIDE COUNTERSINK - PILOTED		
RPCC100	KIT-BODY + 14/18/22 PILOTS	53,855
RPCC201	COUNTERSINK BODY	44,878
HIGH SPEED STEEL COUNTERSINKS - NOT PILOTED		
CK30	30MM COUNTERSINK	12,307
CK40	40MM COUNTERSINK	15,381
Ck55	55MM COUNTERSINK	16,162
OTHER ACCESSORIES		
RD2311	PIPE ADAPTOR KIT	36,611
CT/010/100	MAGNETIC SWARF STICK	6,383
CQA01	ADAPTOR TO TRANSFORM RALLIWOLF CUTTERS INTO QUICK-IN TYPE.	3,887
CQA02	ADAPTOR TO TRANSFORM RALLIWOLF CUTTERS INTO ONE-TOUCH TYPE.	3,887
RD2091	30MM ARBOR EXTENTION - FOR EXTRA REACH.	24,406
RD2090	50MM AARBOR EXTENSION - FOR EXTRA REACH.	28,855
RD2092	75MM ARBOR EXTENSION - FOR EXTRA REACH.	34,943

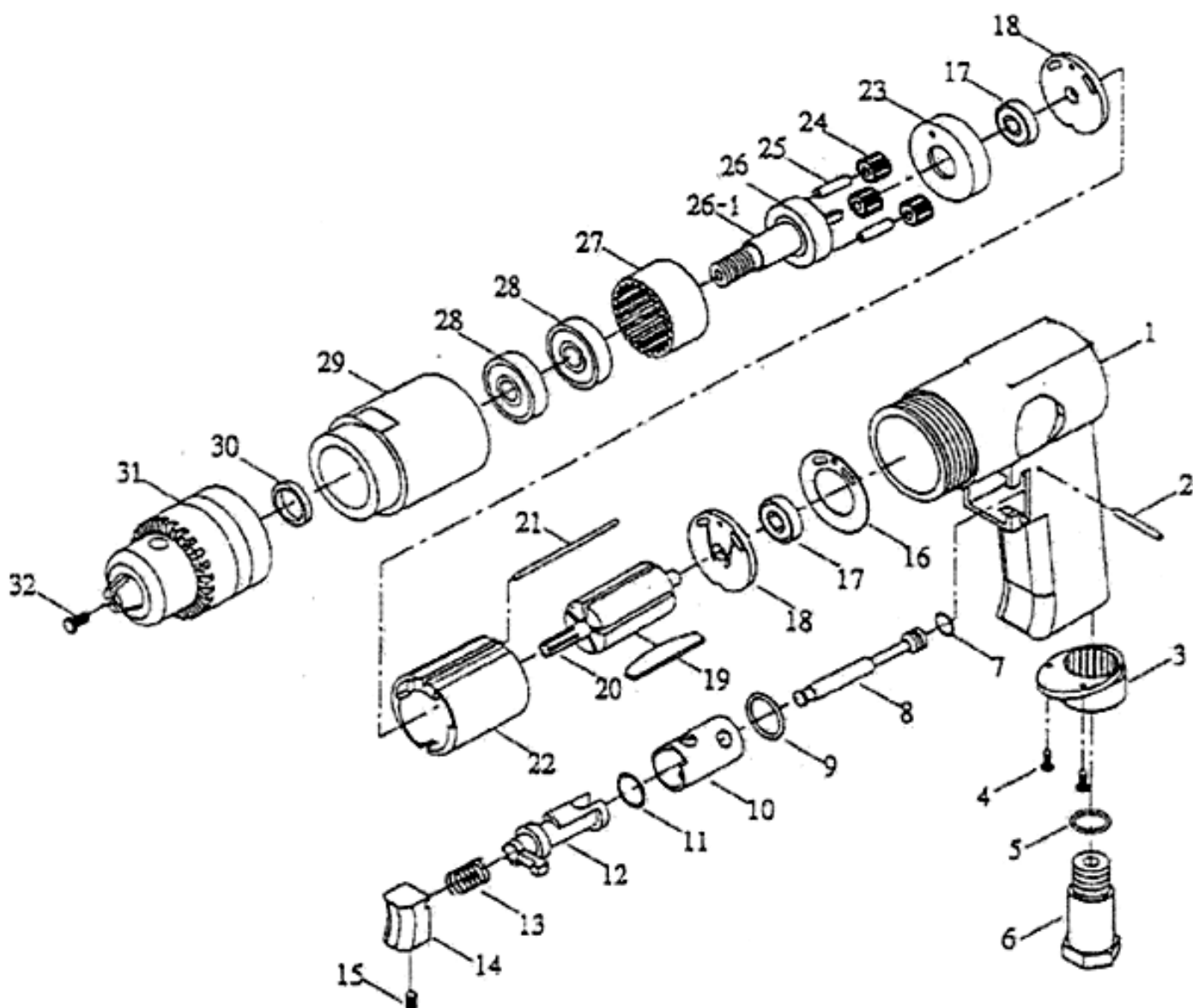


**PRICE LIST OF
SPARE PARTS
FOR
AIR TOOLS**

SPARES ►

MODEL : RAD-302

3/8" Reversible Air Drill



MODEL : RAD-302

3/8" Reversible Air Drill

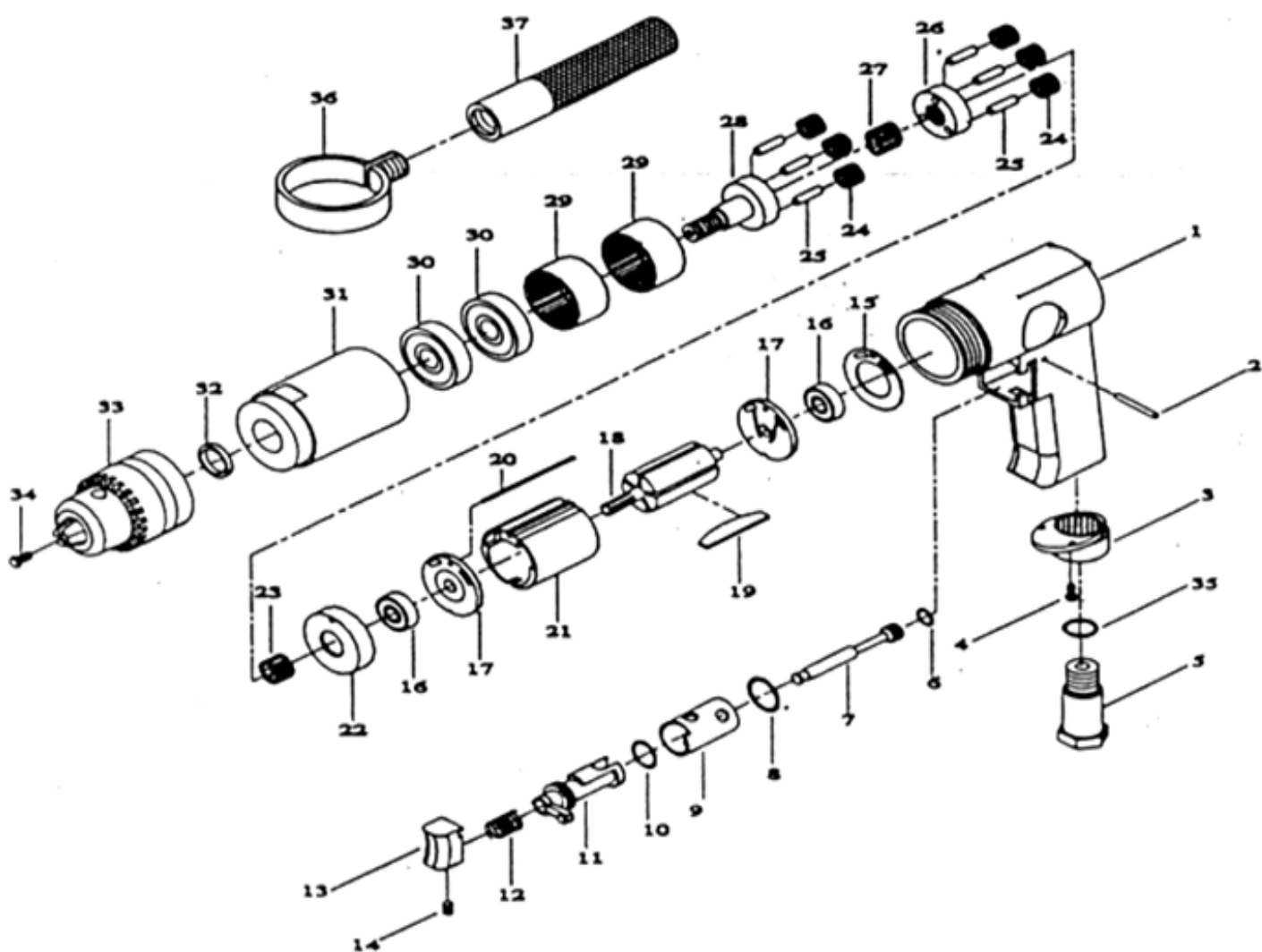
◀ SPARES

Drg. No.	Part No.	Description	Qnty./Tool	Price (₹)
1	RAD302-01	Housing	1	1,328
2	RAD302-02	Spring Pin	1	76
3	RAD302-03	Muffler	1	76
4	RAD302-04	Screw	2	38
5	RAD302-05	"o"ring	1	38
6	RAD302-06	Inlet	1	233
7	RAD302-07	"o"ring	1	38
8	RAD302-08	Throttle Pin	1	211
9	RAD302-09	"o"ring	1	38
10	RAD302-10	Reverse Bushing	1	307
11	RAD302-11	"o"ring	1	38
12	RAD302-12	Reverse Lever	1	191
13	RAD302-13	Spring	1	64
14	RAD302-14	Trigger	1	105
15	RAD302-15	Screw	1	64
16	RAD302-16	Motor Packing	1	64
17	RAD302-17	Bearing	2	369
18	RAD302-18	End Plate	2	245
19	RAD302-19	Rotor Blade	5	64
20	RAD302-20	Rotor	1	654
21	RAD302-21	Pin	1	76
22	RAD302-22	Cylinder	1	508
23	RAD302-23	Spacer	1	245
24	RAD302-24	Gear	3	181
25	RAD302-25	Pin	3	76
26	RAD302-26	Gear Plate	1	245
26	RAD302-26-1	Work Spindle	1	307
27	RAD302-27	Internal Gear	1	402
28	RAD302-28	Bearing	2	307
29	RAD302-29	Clamp Nut	1	508
30	RAD302-30	Washer	1	55
31	RAD302-31	Chuck 3/8"	1	1,455
32	RAD302-32	Screw	1	55

SPARES ►

MODEL : RAD-402

1/2" Reversible Air Drill



MODEL : RAD-402

1/2" Reversible Air Drill

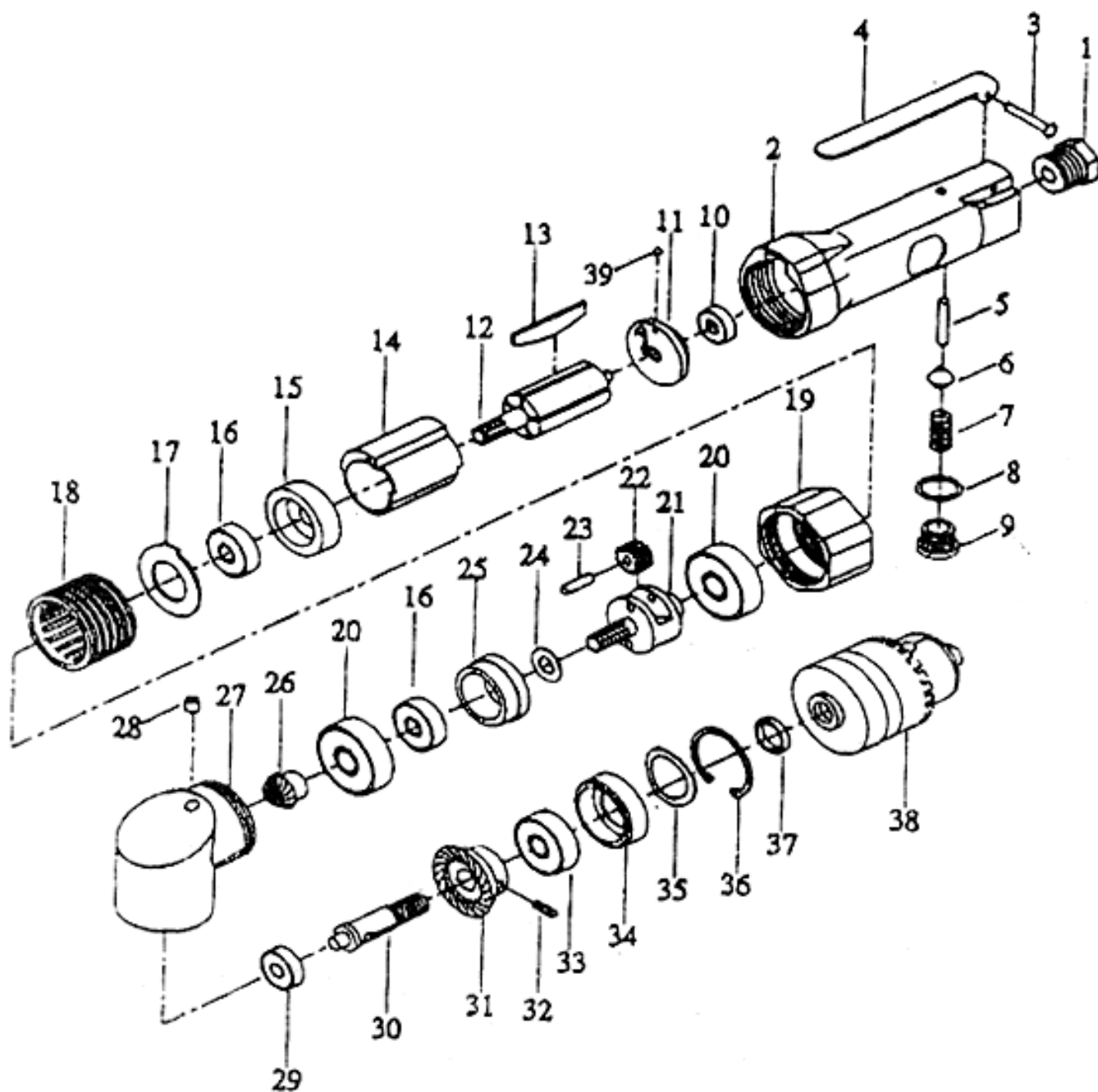
◀ SPARES

Drg. No.	Part No.	Description	Qty./Tool	Price (₹)
1	RAD402-01	Housing	1	1,265
2	RAD402-02	Pin	1	64
3	RAD402-03	Muffler	1	72
4	RAD402-04	Screw	2	45
5	RAD402-05	Inlet	1	243
6	RAD402-06	"o"ring	1	38
7	RAD402-07	Throttle Valve	1	191
8	RAD402-08	"o"ring	1	38
9	RAD402-09	Reverse Bushing	1	326
10	RAD402-10	"o"ring	1	38
11	RAD402-11	Reverse Lever	1	191
12	RAD402-12	Spring	1	72
13	RAD402-13	Trigger	1	123
14	RAD402-14	Screw	1	43
15	RAD402-15	Motor Packing	1	64
16	RAD402-16	Bearing	2	369
17	RAD402-17	End Plate	2	307
18	RAD402-18	Rotor	1	581
19	RAD402-19	Rotor Blade	5	64
20	RAD402-20	Pin	1	64
21	RAD402-21	Cylinder	1	549
22	RAD402-22	Spacer	1	243
23	RAD402-23	Gear	1	369
24	RAD402-24	Gear	6	243
25	RAD402-25	Pin	6	85
26	RAD402-26	Work Spindle	1	296
27	RAD402-27	Gear	1	336
28	RAD402-28	Work Spindle	1	581
29	RAD402-29	Internal Gear	2	391
30	RAD402-30	Bearing	2	307
31	RAD402-31	Clamp Nut	1	727
32	RAD402-32	Washer	1	53
33	RAD402-33	Chuck 1/2"	1	3,004
34	RAD402-34	Screw	1	53
35	RAD402-35	"o"ring	1	38
36	RAD402-36	Actuator Ring	1	844
37	RAD402-37	Handle	1	484

SPARES ►

MODEL : AD-DR217

3/8" Air Angle Drill



MODEL : AD-DR217

3/8" Air Angle Drill

◀ SPARES

Drg. No.	Part No.	Description	Qty./Tool	Price (₹)
1	ADDR217-01	Air Inlet	1	181
2	ADDR217-02	Housing	1	1,213
3	ADDR217-03	Roll Pin	1	64
4	ADDR217-04	Throttle Lever	1	127
5	ADDR217-05	Valve Pin	1	64
6	ADDR217-06	Valve	1	49
7	ADDR217-07	Spring	1	64
8	ADDR217-08	"o"ring	1	38
9	ADDR217-09	Valve Plug	1	211
10	ADDR217-10	Ball Bearing	1	486
11	ADDR217-11	Rear End Plate	1	266
12	ADDR217-12	Rotor	1	793
13	ADDR217-13	Vanes	5	64
14	ADDR217-14	Cylinder	1	486
15	ADDR217-15	Front End Plate	1	245
16	ADDR217-16	Bearing	2	611
17	ADDR217-17	Washer	1	64
18	ADDR217-18	Thread Ring Gear	1	423
19	ADDR217-19	Clamp Nut	1	423
20	ADDR217-20	Bearing	2	729
21	ADDR217-21	Planet Cage	1	1,097
22	ADDR217-22	Gear	2	23
23	ADDR217-23	Pin	2	64
24	ADDR217-24	Washer	1	64
25	ADDR217-25	Bearing Cap	1	559
26	ADDR217-26	Pinion	1	1,213
27	ADDR217-27	Angle Housing	1	729
28	ADDR217-28	Oil Cover	1	96
29	ADDR217-29	Bearing	1	486
30	ADDR217-30	Spindle	1	508
31	ADDR217-31	Gear	1	1,455
32	ADDR217-32	Set Screw	1	64
33	ADDR217-33	Bearing	1	486
34	ADDR217-34	Bearing Cap	1	423
35	ADDR217-35	Wave Washer	1	76
36	ADDR217-36	Retaining Ring	1	64
37	ADDR217-37	Spacer	1	55
38	ADDR217-38	Chuck	1	1,455
39	ADDR217-39	Ball	1	55

MODEL : PG-1101H

6mm H.D. Die Grinder

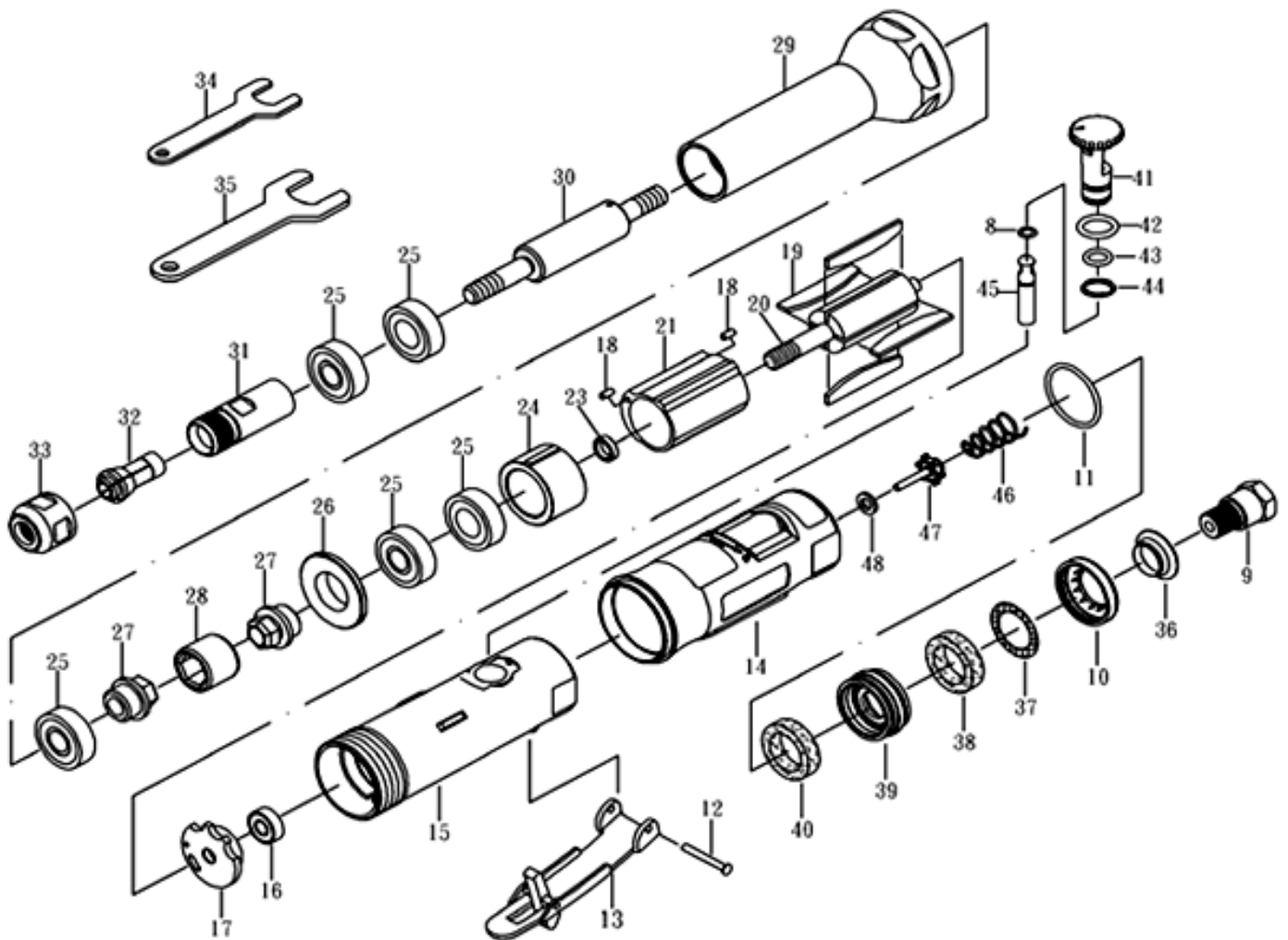
◀ SPARES

Drg. No.	Part No.	Description	Qty./Tool	Price (₹)
1	PG1101H-01	Plug Screw	1	163
2	PG1101H-02	O-ring	1	29
3	PG1101H-03	O-ring	1	29
4	PG1101H-04	Air Regulator	1	163
5	PG1101H-05	Valve Spring	1	29
6	PG1101H-06	O-ring	1	29
7	PG1101H-07	Valve Stem	1	221
8	PG1101H-08	O-ring	1	29
9	PG1101H-09	Motor Housing	1	1,604
10	PG1101H-10	Valve Bushing	1	279
11	PG1101H-11	Muffler	1	88
12	PG1101H-12	Air Inlet	1	279
13	PG1101H-13	Lever	1	279
14	PG1101H-14	Lever Pin	1	29
15	PG1101H-15	Bearing	1	743
16	PG1101H-16	Bearing Plate	1	292
17	PG1101H-17	Locating Pin	1	29
18	PG1101H-18	Steel Plate	1	175
19	PG1101H-19	Cylinder	1	2,185
20	PG1101H-20	Rotor	1	1,020
21	PG1101H-21	Rotor Blade	4	104
22	PG1101H-22	Rotor Collar	1	134
23	PG1101H-23	Steel Plate	1	175
24	PG1101H-24	Locating Pin	1	29
25	PG1101H-25	Bearing Plate	1	380
26	PG1101H-26	Ball	1	29
27	PG1101H-27	Bearing	1	743
28	PG1101H-28	Spindle	1	438
29	PG1101H-29	Lock Ring	1	396
30	PG1101H-30	Collet	1	468
31	PG1101H-31	Collet Nut	1	250
32	PG1101H-32	Housing Cap	1	627
33	PG1101H-33	Wrench (11mm)	1	117
34	PG1101H-34	Wrench (17mm)	1	117

SPARES ►

MODEL : EDG-GR2205

5" Air Extended Die Grinder



MODEL : EDG-GR2205

5" Air Extended Die Grinder

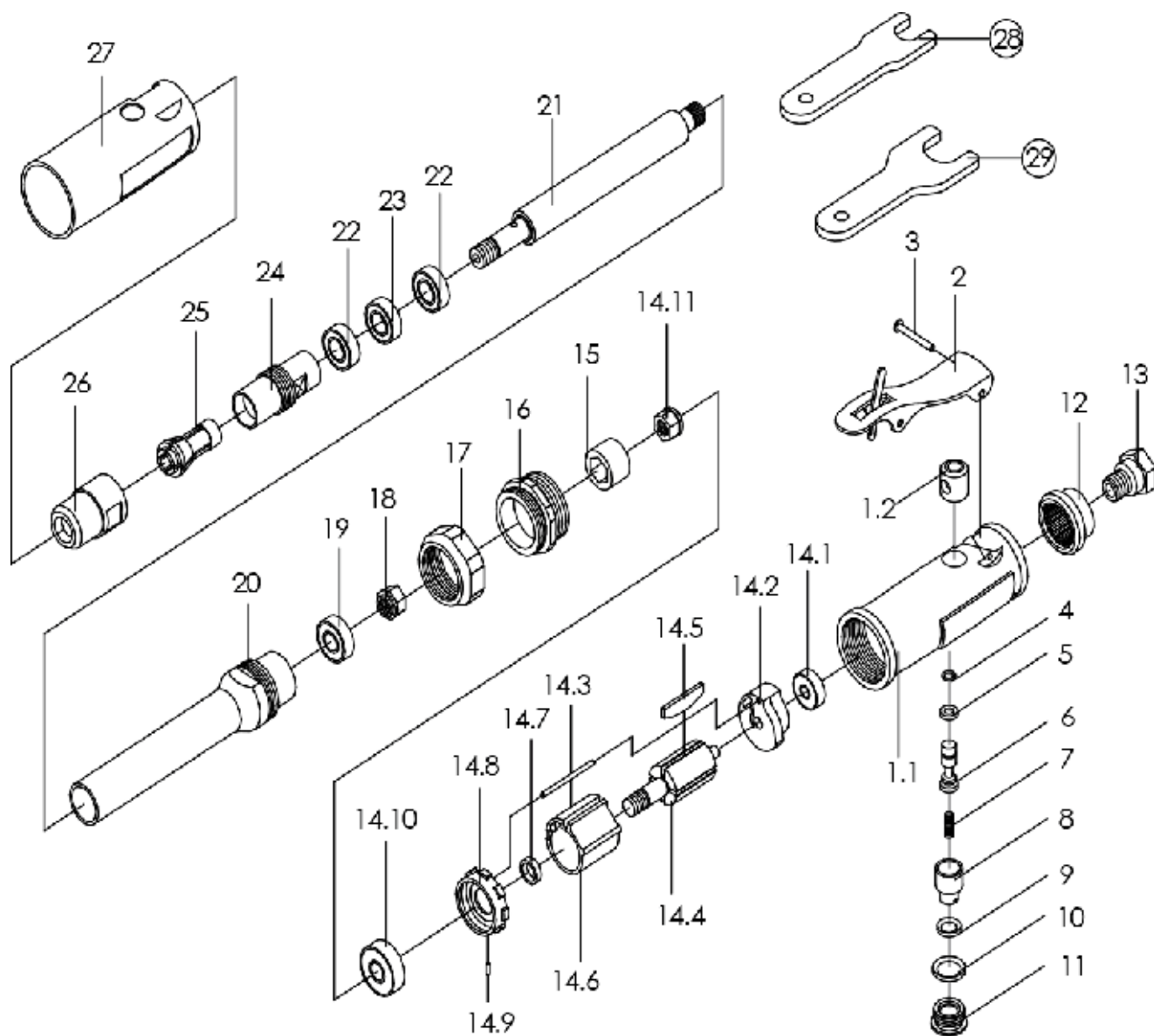
◀ SPARES

Drg. No.	Part No.	Description	Qty./Tool	Price (₹)
8	EDGGR2205-08	O-ring (3.5*1.4)	1	21
9	EDGGR2205-09	Air Inlet	1	211
10	EDGGR2205-10	Exhaust Sleeve	1	85
11	EDGGR2205-11	O-ring (26.7*1.78)	1	21
12	EDGGR2205-12	Spring Pin	1	21
13	EDGGR2205-13	Lever	1	369
14	EDGGR2205-14	Protecting Rubber	1	423
15	EDGGR2205-15	Housing	1	1,055
16	EDGGR2205-16	Bearing (696zz)	1	266
17	EDGGR2205-17	Rear Plate	1	423
18	EDGGR2205-18	Pin	2	21
19	EDGGR2205-19	Rotor Blade	4	64
20	EDGGR2205-20	Rotor	1	844
21	EDGGR2205-21	Cylinder	1	632
23	EDGGR2205-23	Bearing Spacer	1	55
24	EDGGR2205-24	Front Plate	1	529
25	EDGGR2205-25	Bearing (608zz)	5	318
26	EDGGR2205-26	Washer	1	105
27	EDGGR2205-27	Coupling Nut	2	211
28	EDGGR2205-28	Coupling	1	266
29	EDGGR2205-29	Spindle Housing	1	1,265
30	EDGGR2205-30	Spindle (shaft)	1	738
31	EDGGR2205-31	Spindle	1	476
32	EDGGR2205-32	Collet	1	369
33	EDGGR2205-33	Collet Nut	1	211
34	EDGGR2205-34	Stop Spanner (14mm)	1	105
35	EDGGR2205-35	Stop Spanner (19mm)	1	127
36	EDGGR2205-36	Muffler Body	1	43
37	EDGGR2205-37	Stainless Mesh	1	55
38	EDGGR2205-38	Silencer	1	105
39	EDGGR2205-39	Muffler	1	55
40	EDGGR2205-40	Silencer	1	55
41	EDGGR2205-41	Regulator	1	211
42	EDGGR2205-42	O-ring (p10)	1	21
43	EDGGR2205-43	O-ring (p9)	1	21
44	EDGGR2205-44	Snap Ring	1	33
45	EDGGR2205-45	Valve Stem	1	55
46	EDGGR2205-46	Spring	1	21
47	EDGGR2205-47	Valve	1	105
48	EDGGR2205-48	Washer	1	55

SPARES ▶

MODEL : EDG-GR2205-A

5" Extended Die Grinder



MODEL : EDG-GR2205-A

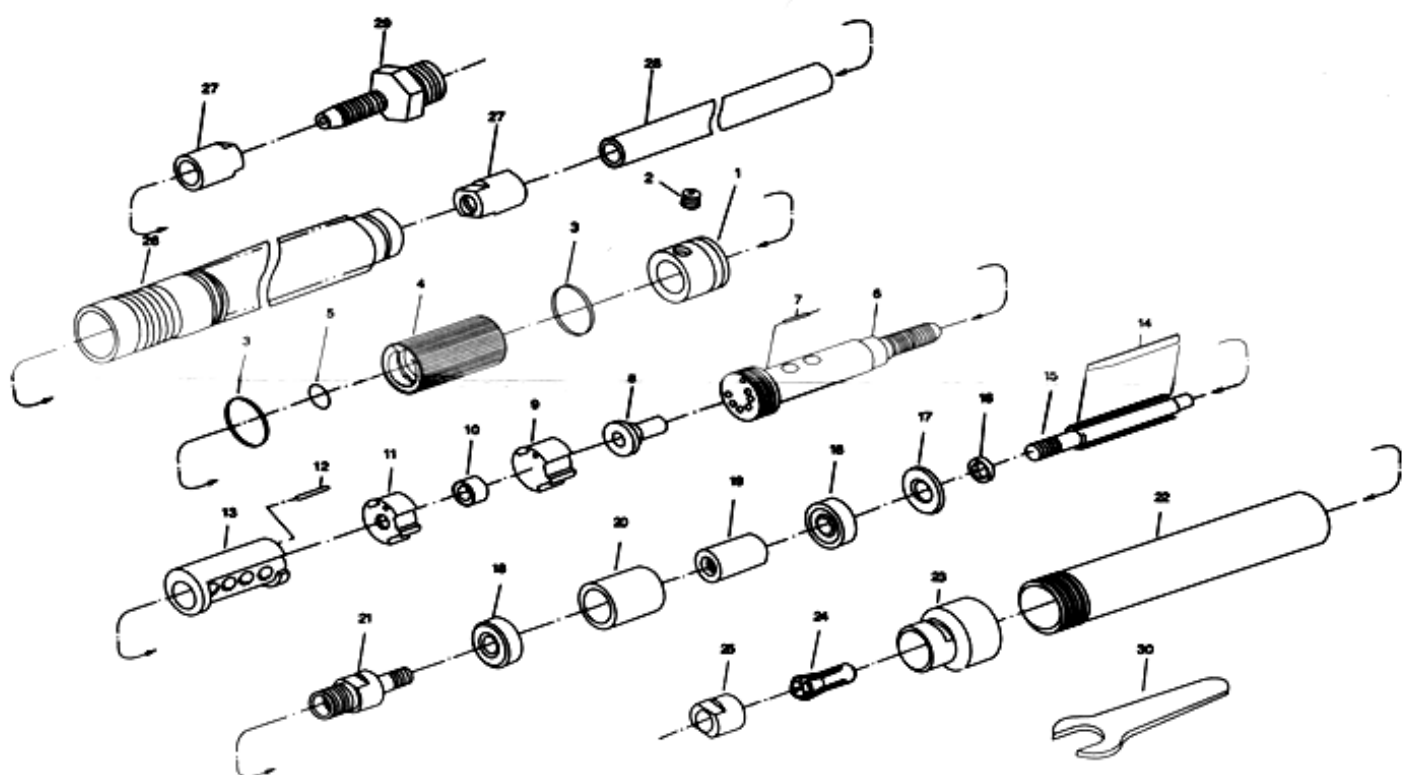
5" Extended Die Grinder

◀ SPARES

Drg. No.	Part No.	Description	Qty./Tool	Price (₹)
1	EDG-GR2205A-1	Housing Kit	1	1,199
2	EDG-GR2205A-2	Trigger	1	187
3	EDG-GR2205A-3	Throttle Lever Pin	1	59
4	EDG-GR2205A-4	O-ring	1	59
5	EDG-GR2205A-5	O-ring	1	59
6	EDG-GR2205A-6	Valve Stem	1	128
7	EDG-GR2205A-7	Spring	1	53
8	EDG-GR2205A-8	Air Regulator	1	118
9	EDG-GR2205A-9	O-ring	1	59
10	EDG-GR2205A-10	O-ring	1	59
11	EDG-GR2205A-11	Valve Plug	1	222
12	EDG-GR2205A-12	Exhaust Deflector	1	90
13	EDG-GR2205A-13	Air Inlet Bushing	1	184
14	EDG-GR2205A-14	Cylinder Kit	1	3,804
14.1	EDG-GR2205A-14.1	Ball Bearing	1	194
14.2	EDG-GR2205A-14.2	Rear End Plate	1	232
14.3	EDG-GR2205A-14.3	Pin	1	59
14.4	EDG-GR2205A-14.4	Rotor	1	672
14.5	EDG-GR2205A-14.5	Rotor Blade	4	1,220
14.6	EDG-GR2205A-14.6	Cylinder	1	1,448
14.7	EDG-GR2205A-14.7	Bushing	1	90
14.8	EDG-GR2205A-14.8	Front End Plate	1	280
14.9	EDG-GR2205A-14.9	Pin	1	59
14.10	EDG-GR2205A-14.10	Ball Bearing	1	205
14.11	EDG-GR2205A-14.11	Nut	1	250
15	EDG-GR2205A-15	Coupling	1	357
16	EDG-GR2205A-16	Connect Nut	1	354
17	EDG-GR2205A-17	Clamp Nut	1	339
18	EDG-GR2205A-18	Nut	1	235
19	EDG-GR2205A-19	Ball Bearing	1	170
20	EDG-GR2205A-20	Spindle Housing	1	3,201
21	EDG-GR2205A-21	Work Spindle	1	596
22	EDG-GR2205A-22	Ball Bearing	2	818
23	EDG-GR2205A-23	Ball Bearing	1	208
24	EDG-GR2205A-24	Collets Holder	1	288
25	EDG-GR2205A-25	6mm Collet	1	274
26	EDG-GR2205A-26	Collet Nut	1	235
27	EDG-GR2205A-27	Handle Grip	1	184
28	EDG-GR2205A-28	Wrench	1	232
29	EDG-GR2205A-29	Wrench	1	235

SPARES ▶

MODEL : DG-56
3mm Air Micro Die Grinder



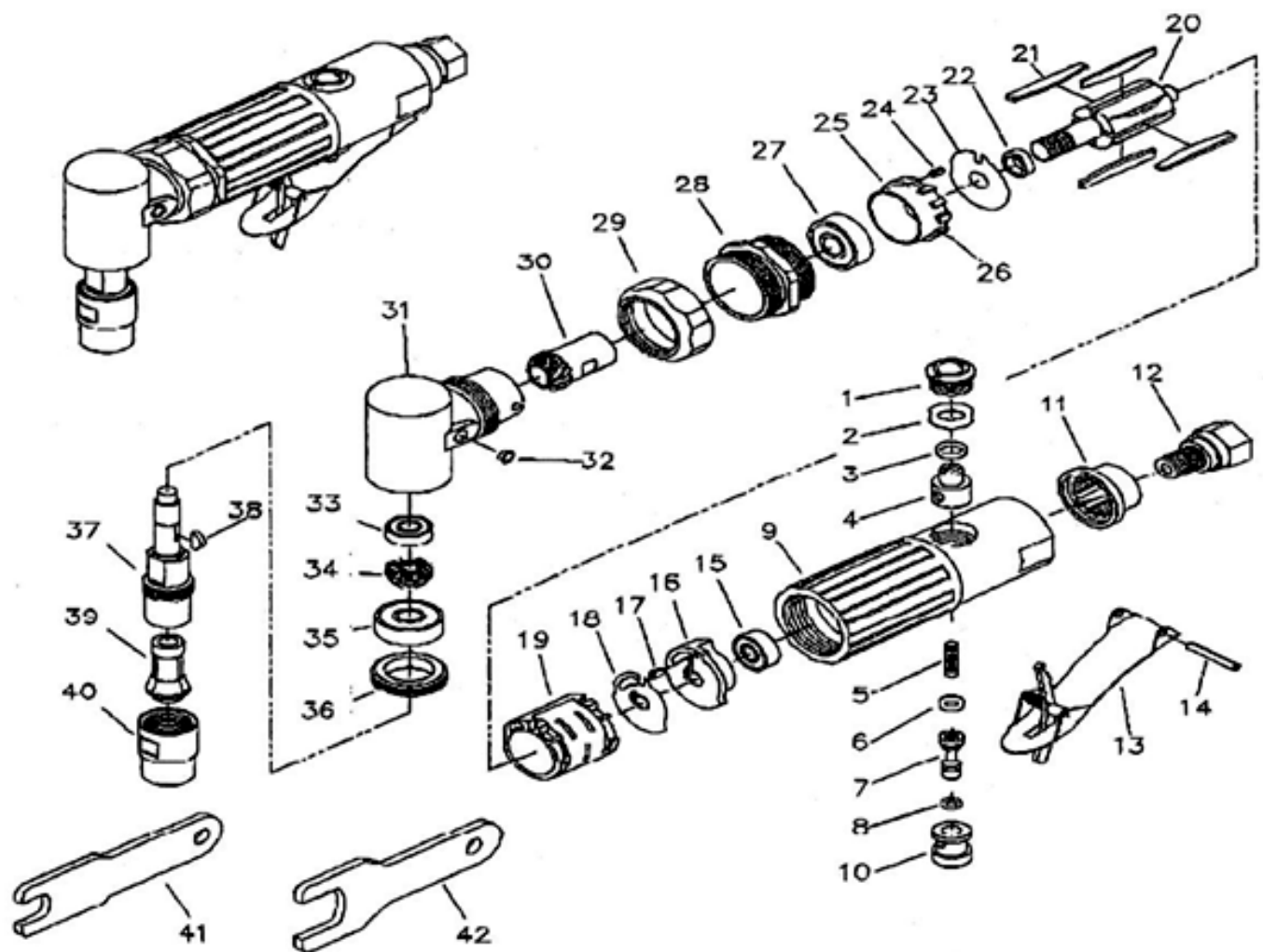
MODEL : DG-56
3mm Air Micro Die Grinder

Drg. No.	Part No.	Description	Qty./Tool	Price (₹)
1	DG56-01	Rear End Holder	1	217
2	DG56-02	Screw	1	29
3	DG56-03	O-ring	1	29
4	DG56-04	Sliding Knob	1	874
5	DG56-05	O-ring	1	29
6	DG56-06	Hose Plug	1	1,223
7	DG56-07	Pin	1	14
8	DG56-08	Plug	1	146
9	DG56-09	Intake Plate	1	175
10	DG56-10	Ball Bearing	1	1,049
11	DG56-11	Bearing Plate	1	175
12	DG56-12	Pin	1	14
13	DG56-13	Cylinder	1	1,455
14	DG56-14	Roter Blade	3	58
15	DG56-15	Roter	1	931
16	DG56-16	Spacer	1	71
17	DG56-17	Lateral Disc	1	58
18	DG56-18	Ball Bearing	1	1,746
19	DG56-19	Interior Bearing With Retainer Bushing	1	321
20	DG56-20	Outer Bearing With Retainer Bushing	1	205
21	DG56-21	Collet Foundation	1	936
22	DG56-22	Sleeve	1	656
23	DG56-23	Front Cover	1	292
24	DG56-24	Collet	1	581
25	DG56-25	Clamping Nut	1	217
26	DG56-26	Muffer Tube	1	71
27	DG56-27	Hose Ring	1	160
28	DG56-28	Air Hose	1	509
29	DG56-29	Inlet Connector	1	217
30	DG56-30	Spanner	1	43

SPARES ▶

MODEL : ADG-1106H

1/4" HD 90° H.D. Angle Grinder



MODEL : ADG-1106H

1/4" 90" H.D. Angle Grinder

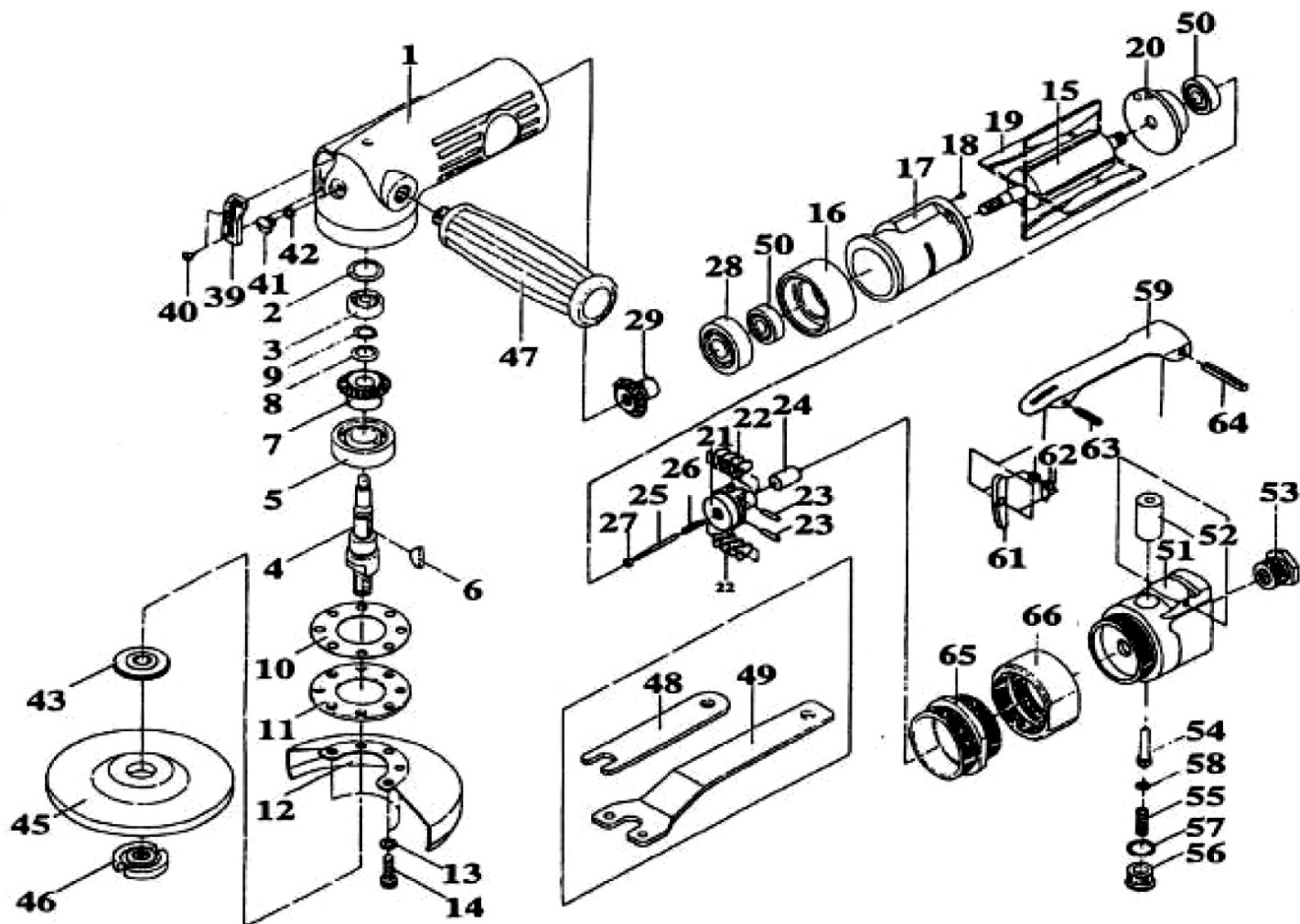
◀ SPARES

Drg. No.	Part No.	Description	Qty./Tool	Price (₹)
1	ADG1106H-01	Plug Screw	1	118
2	ADG1106H-02	O-ring	1	21
3	ADG1106H-03	O-ring	1	21
4	ADG1106H-04	Air Regulator	1	118
5	ADG1106H-05	Valve Spring	1	21
6	ADG1106H-06	O-ring	1	21
7	ADG1106H-07	Valve Stem	1	161
8	ADG1106H-08	O-ring	1	21
9	ADG1106H-09	Motor Housing	1	1,140
10	ADG1106H-10	Valve Bushing	1	191
11	ADG1106H-11	Muffler	1	64
12	ADG1106H-12	Air Inlet	1	181
13	ADG1106H-13	Lever	1	203
14	ADG1106H-14	Lever Pin	1	21
15	ADG1106H-15	Bearing	1	508
16	ADG1106H-16	Bearing Plate	1	211
17	ADG1106H-17	Locating Pin	1	21
18	ADG1106H-18	Steel Plate	1	127
19	ADG1106H-19	Cylinder	1	1,571
20	ADG1106H-20	Rotor	1	729
21	ADG1106H-21	Rotor Blade	4	76
22	ADG1106H-22	Rotor Collar	1	85
23	ADG1106H-23	Steel Plate	1	127
24	ADG1106H-24	Locating Pin	1	21
25	ADG1106H-25	Bearing Plate	1	275
26	ADG1106H-26	Ball	1	21
27	ADG1106H-27	Bearing	1	508
28	ADG1106H-28	Lock Ring	1	338
29	ADG1106H-29	Cap	1	338
30	ADG1106H-30	Piston Gear	1	781
31	ADG1106H-31	Angle Head Housing	1	960
32	ADG1106H-32	Grease Cap	1	85
33	ADG1106H-33	Bearing	1	508
34	ADG1106H-34	Spindle Gear	1	781
35	ADG1106H-35	Bearing	1	508
36	ADG1106H-36	Clamp Nut	1	139
37	ADG1106H-37	Spindle	1	572
38	ADG1106H-38	Woodruff Key	1	85
39	ADG1106H-39	Collet	1	318
40	ADG1106H-40	Collet Nut	1	181
41	ADG1106H-41	Wrench(11mm)	1	85
42	ADG1106H-42	Wrench(17mm)	1	85

SPARES ►

MODEL : AG-406

4" (100mm) Air Angle Die Grinder



MODEL : AG-406

4" (100mm) Air Angle Die Grinder

◀ SPARES

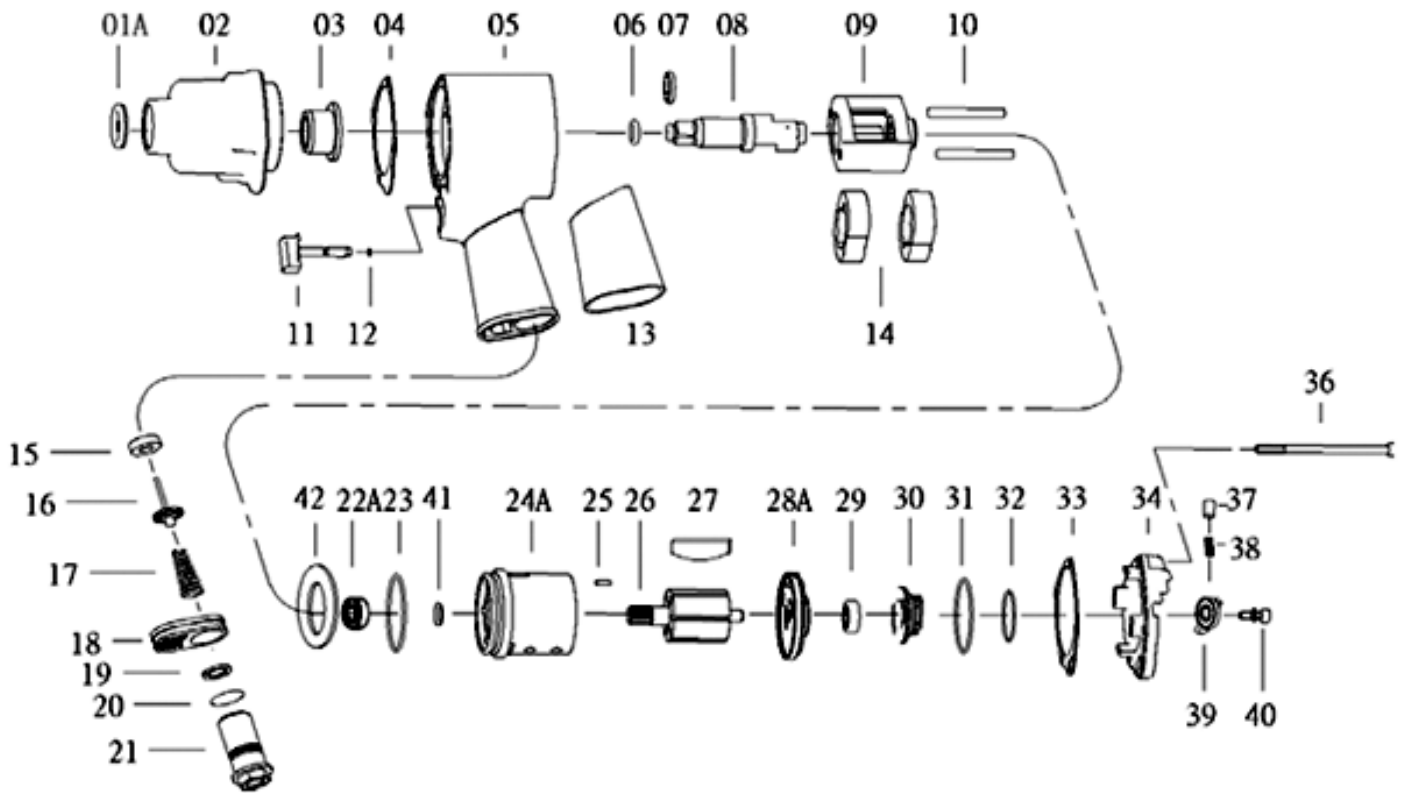
Drg. No.	Part No.	Description	Qty./Tool	Price (₹)
1	AG406-01	Motor Housing	1	1,604
2	AG406-02	Seal Plate	1	45
3	AG406-03	Ball Bearing	1	380
4	AG406-04	Arbor	1	701
5	AG406-05	Ball Bearing	1	527
6	AG406-06	Woodruff Key	1	104
7	AG406-07	Bevel Gear	1	1,457
8	AG406-08	Wave Washer	1	45
9	AG406-09	External Stop Ring	1	45
10	AG406-10	Gasket	1	45
11	AG406-11	Retainer	1	117
12	AG406-12	4" Center Wheel Guard	1	337
13	AG406-13	Spring Washer	5	29
14	AG406-14	Hex Socket Head Cap Bolt	5	29
15	AG406-15	Rotor	1	1,136
16	AG406-16	Front End Plate	1	555
17	AG406-17	Cylinder	1	1,020
18	AG406-18	Spring Pin	1	29
19	AG406-19	Rotro Blade	4	117
20	AG406-20	Rear End Plate	1	555
21	AG406-21	Governor	1	527
22	AG406-22	Pendulum	8	45
23	AG406-23	Spring Pin	2	45
24	AG406-24	Plunger	1	146
25	AG406-25	Adjust Screw	1	76
26	AG406-26	Spring	1	29
27	AG406-27	Adjust Nut	1	45
28	AG406-28	Ball Bearing	1	527
29	AG406-29	Bevel Pinion	1	1,457
30	AG406-30	O-ring	1	45
39	AG406-39	Exhaust Deflector	1	58
40	AG406-40	Tapping Screw	2	39
41	AG406-41	Plug	1	45
42	AG406-42	O-ring	1	29
43	AG406-43	Flange	1	250
45	AG406-45	4" Grinding Wheel	1	337
46	AG406-46	Flange Nut	1	250
47	AG406-47	Handle	1	292
48	AG406-48	Wrench (a)	1	221

Drg. No.	Part No.	Description	Qty./Tool	Price (₹)
49	AG406-49	Wrench (b)	1	264
50	AG406-50	Ball Bearing	2	509
51	AG406-51	Throttle Valve Housing	1	1,166
52	AG406-52	Bushing	1	175
53	AG406-53	Air Inlet Bushing	1	146
54	AG406-54	Valve Stem	1	146
55	AG406-55	Valve Spring	1	29
56	AG406-56	Throttle Housing	1	134
57	AG406-57	O-ring	1	29
58	AG406-58	O-ring	1	29
59	AG406-59	Throttle Lever	1	264
61	AG406-61	Throttle Lever Lock	1	45
62	AG406-62	Torsion Spring	1	58
63	AG406-63	Spring Pin	1	45
64	AG406-64	Spring Pin	1	29
65	AG406-65	Lock Ring	1	539
66	AG406-66	Coupling Nut	1	539

SPARES ▶

MODEL : IW-0981T

3/8" Sq. Drive Air Impact Wrench



MODEL : IW-0981T

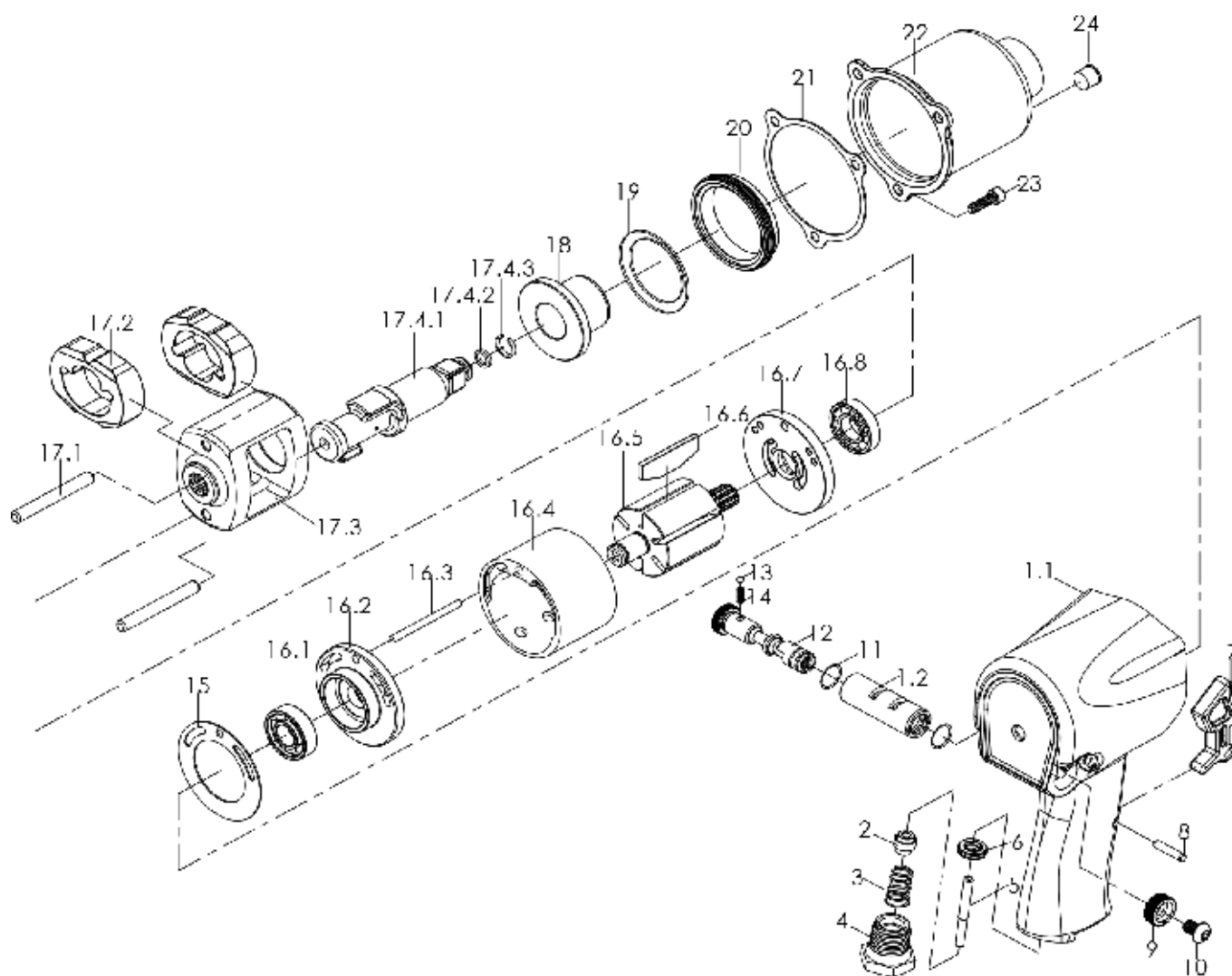
3/8" Sq. Drive Air Impact Wrench

◀ SPARES

Drg. No.	Part No.	Description	Qty./Tool	Price (₹)
1	IW0981T-01	Oil Seal	1	330
2	IW0981T-02	Hammer Case	1	799
3	IW0981T-03	Bushing	1	470
4	IW0981T-04	Front Gasket	1	235
5	IW0981T-05	Motor Housing	1	1,505
6	IW0981T-06	O-ring	1	23
7	IW0981T-07	Anvil Collar	1	23
8	IW0981T-08	Anvil	1	2,868
9	IW0981T-09	Hammer Cage	1	2,540
10	IW0981T-10	Hammer Pin	2	70
11	IW0981T-11	Trigger	1	284
12	IW0981T-12	O-ring	1	23
13	IW0981T-13	Rubber	1	235
14	IW0981T-14	Hammer Dog	2	1,505
15	IW0981T-15	Retainer	1	47
16	IW0981T-16	Valve Stem	1	165
17	IW0981T-17	Spring	1	118
18	IW0981T-18	Exhaust Deflector	1	118
19	IW0981T-19	Washer	1	23
20	IW0981T-20	O-ring	1	23
21	IW0981T-21	Hose Adaptor	1	354
22	IW0981T-22	Ball Bearing	1	517
23	IW0981T-23	O-ring	1	23
24A	IW0981T-24A	Cylinder	1	3,457
25	IW0981T-25	Spring Pin	1	23
26	IW0981T-26	Rotor	1	917
27	IW0981T-27	Rotor Blade	6	47
28A	IW0981T-28A	Rear Plate	1	401
29	IW0981T-29	Ball Bearing	1	284
30	IW0981T-30	Reverse Valve	1	354
31	IW0981T-31	O-ring	1	23
32	IW0981T-32	O-ring	1	23
33	IW0981T-33	Rear Gasket	1	235
34	IW0981T-34	Rear Cover	1	681
36	IW0981T-36	Screw	4	70
37	IW0981T-37	Pin	1	23
38	IW0981T-38	Spring	1	23
39	IW0981T-39	Reverse Lever	1	165
40	IW0981T-40	Screw+washer	1	23
41	IW0981T-41	Oil Seal	1	70
42	IW0981T-42	Washer	1	47

SPARES ►

MODEL : IW-1700K-A
Impact Wrench Kit





MODEL : IW-1700K-A
Impact Wrench Kit

◀ SPARES

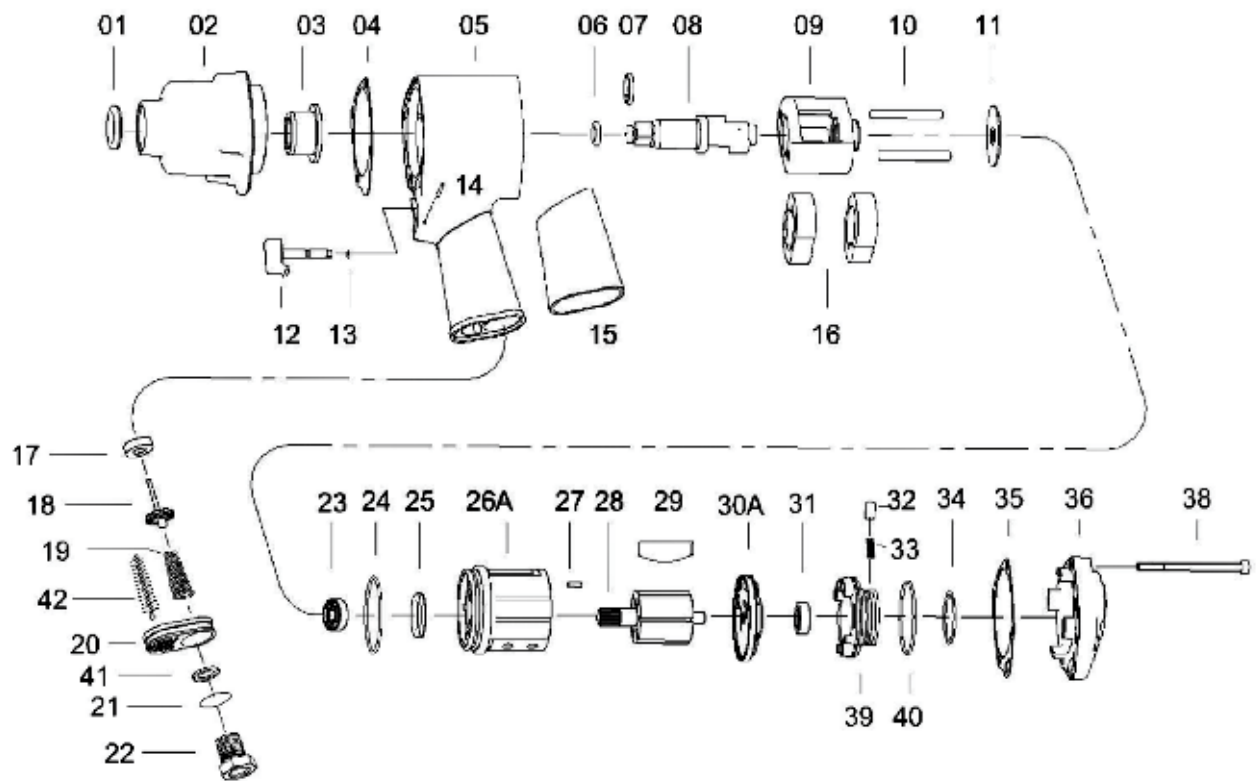
Drg. No.	Part No.	Description	Qty./Tool	Price (₹)
1	IW1700KA-1	Housing Kit	1	4,293
2	IW1700KA-2	Valve Sleeve	1	125
3	IW1700KA-3	Spring	1	62
4	IW1700KA-4	Air Inlet Bushing	1	305
5	IW1700KA-5	Valve Stem	1	160
6	IW1700KA-6	Oil Seal	1	181
7	IW1700KA-7	Trigger	1	139
8	IW1700KA-8	Spring Pin	1	62
9	IW1700KA-9	Reverse Valve Knob	1	128
10	IW1700KA-10	Screw	1	90
11	IW1700KA-11	O-ring	2	305
12	IW1700KA-12	Reverse Valve	1	520
13	IW1700KA-13	Steel Ball	1	72
14	IW1700KA-14	Spring	1	59
15	IW1700KA-15	Gasket	1	125
16	IW1700KA-16	Cylinder Kit	1	5,312
16.1	IW1700KA-16.1	Ball Bearing	1	288
16.2	IW1700KA-16.2	Rear End Plate	1	946
16.4	IW1700KA-16.4	Cylinder	1	1,050
16.5	IW1700KA-16.5	Rotor	1	1,303
16.6	IW1700KA-16.6	Rotor Blade	6	2,869

Drg. No.	Part No.	Description	Qty./Tool	Price (₹)
16.7	IW1700KA-16.7	Front End Plate	1	915
16.8	IW1700KA-16.8	Ball Bearing	1	274
17	IW1700KA-17	Hammer Cagr Kit	1	7,509
17.1	IW1700KA-17.1	Hammer Pin	2	554
17.2	IW1700KA-17.2	Hammer Dog	2	6,501
17.3	IW1700KA-17.3	Hammer Cage	1	3,982
17.4	IW1700KA-17.4	Anvil Kit	1	2,883
17.4.1	IW1700KA-17.4.1	1/2" Anvil	1	2,751
17.4.2	IW1700KA-17.4.2	O-ring	1	59
17.4.3	IW1700KA-17.4.3	Socket Retainer	1	72
18	IW1700KA-18	Anvil Bushing	1	419
19	IW1700KA-19	V-washer	1	181
20	IW1700KA-20	Front Cover Ring	1	634
21	IW1700KA-21	Gasket	1	114
22	IW1700KA-22	Front Cover	1	1,275
23	IW1700KA-23	Cap Screw	3	717
24	IW1700KA-24	Grease Fitting	1	125

SPARES ►

MODEL : IW-1281

1/2" Sq. Drive Air Impact Wrench





MODEL : IW-1281

1/2" Sq. Drive Air Impact Wrench

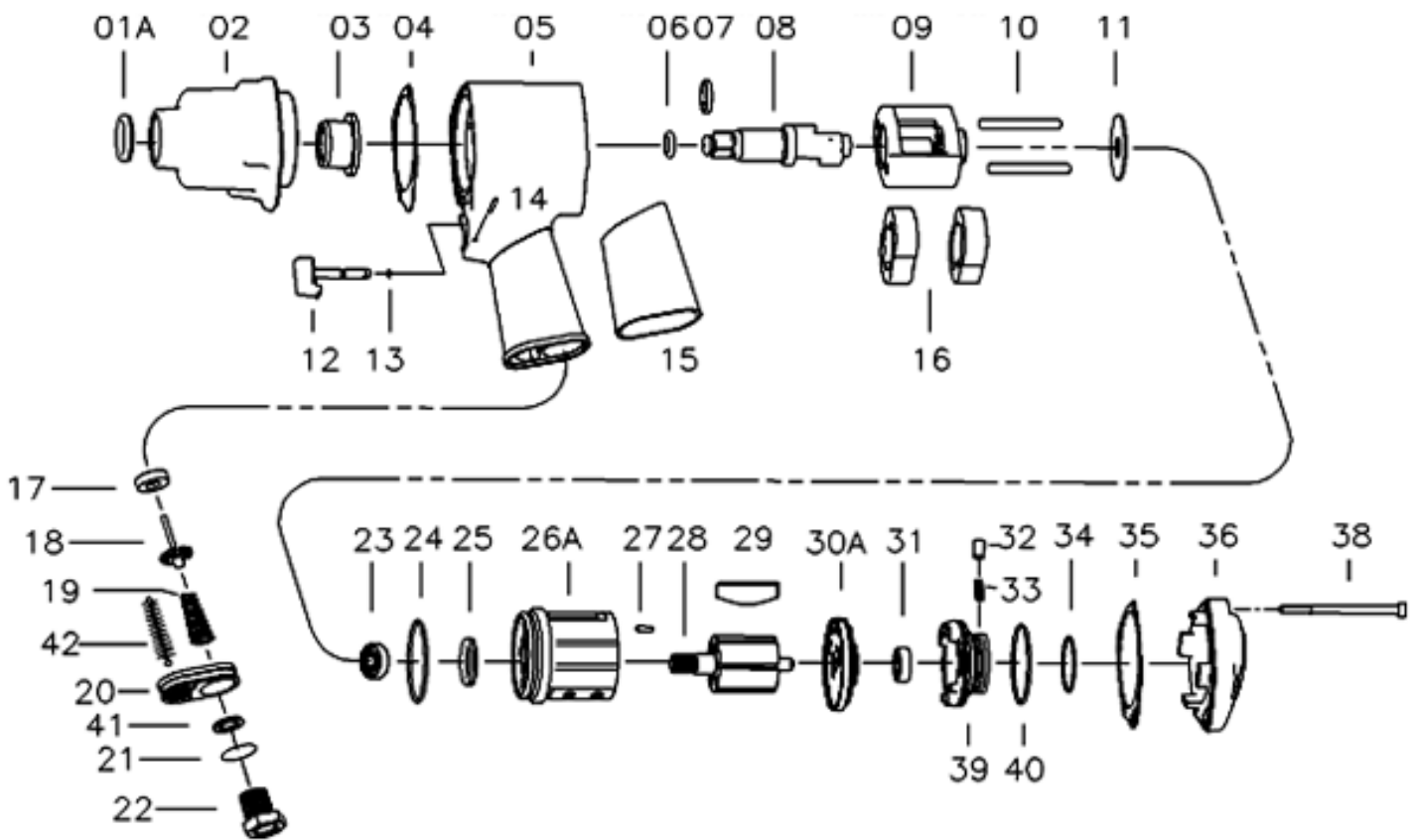
Drg. No.	Part No.	Description	Qty./Tool	Price (₹)
1	IW1281-01	Oil Seal	1	422
2	IW1281-02	Hammer Case	1	1,387
3	IW1281-03	Bushing	1	1,387
4	IW1281-04	Front Gasket	1	301
5	IW1281-05	Motor Housing	1	3,106
6	IW1281-06	O-Ring	1	30
7	IW1281-07	Anvil Collar	1	30
8	IW1281-08	Anvil	1	3,589
8A	IW1281-08A	Anvil (2")	1	6,181
9	IW1281-09	Hammer Cage	1	3,890
10	IW1281-10	Hammer Pin	2	91
11	IW1281-11	Washer	1	91
12	IW1281-12	Trigger	1	361
13	IW1281-13	O-Ring	1	30
14	IW1281-14	Spring Pin	1	91
15	IW1281-15	Rubber	1	301
16	IW1281-16	Hammer Dog	2	2,171
17	IW1281-17	Retainer	1	91
18	IW1281-18	Valve Stem	1	242
19	IW1281-19	Spring	1	151
20	IW1281-20	Exhaust Deflector	1	151

Drg. No.	Part No.	Description	Qty./Tool	Price (₹)
21	IW1281-21	O-Ring	1	30
22	IW1281-22	Hose Adaptor 18NPT, 19PT & 19PF	1	453
23	IW1281-23	Ball Bearing	1	694
24	IW1281-24	O-Ring	1	61
25	IW1281-25	Oil Seal	1	91
26	IW1281-26	Cylinder	1	7,750
27	IW1281-27	Spring Pin	1	91
28	IW1281-28	Rotor	1	1,538
29	IW1281-29	Rotor Blade	6	91
30	IW1281-30	Rear Plate	1	634
31	IW1281-31	Ball Bearing	1	393
32	IW1281-32	Pin	1	91
33	IW1281-33	Spring	1	91
34	IW1281-34	O-Ring	1	30
35	IW1281-35	Rear Gasket	1	301
36	IW1281-36	Rear Cover	1	1,237
37	IW1281-38	Screw	4	91
38	IW1281-39	Reverse Lever	1	301
39	IW1281-40	O-Ring	1	61
40	IW1281-41	Washer	1	61
41	IW1281-42	Muffler	1	694

MODEL : IW-1930T

3/4" Sq. Drive Air Impact Wrench

◀ SPARES



MODEL : IW-1930T

3/4" Sq. Drive Air Impact Wrench

◀ SPARES

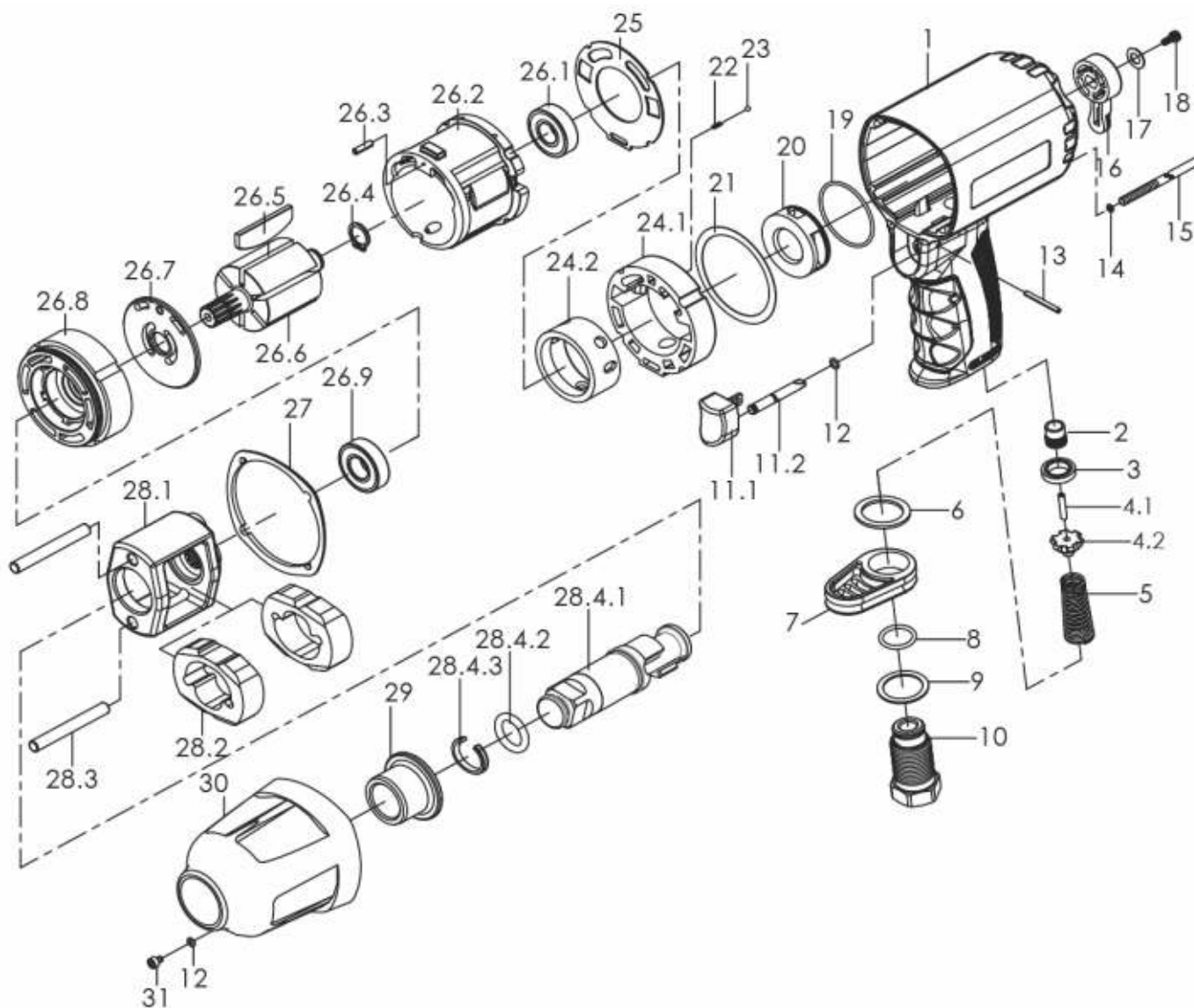
Drg. No.	Part No.	Description	Qty./Tool	Price (₹)
1	IW1930T-01A	Oil Seal	1	354
2	IW1930T-02	Hammer Case	1	3,619
3	IW1930T-03	Bushing	1	1,457
4	IW1930T-04	Front Gasket	1	235
5	IW1930T-05	Motor Housing	1	2,422
6	IW1930T-06	O-ring	1	23
7	IW1930T-07	Anvil Collar	1	23
8	IW1930T-08-2	Anvil 2"	1	3,385
8A	IW1930T-08-6	Anvil 6"	1	5,783
9	IW1930T-09	Hammer Cage	1	3,033
10	IW1930T-10	Hammer Pin	2	70
11	IW1930T-11	Washer	1	70
12	IW1930T-12	Trigger	1	284
13	IW1930T-13	O-ring	1	47
14	IW1930T-14	Spring Pin	1	70
15	IW1930T-15	Rubber	1	235
16	IW1930T-16	Hammer Dog	2	1,694
17	IW1930T-17	Retainer	1	70
18	IW1930T-18	Valve Stem	1	188
19	IW1930T-19	Spring	1	118
20	IW1930T-20	Exhaust Deflector	1	118

Drg. No.	Part No.	Description	Qty./Tool	Price (₹)
21	IW1930T-21	O-ring	1	23
22	IW1930T-22	Hose Adaptor	1	354
23	IW1930T-23	Ball Bearing	1	541
24	IW1930T-24	O-ring	1	47
25	IW1930T-25	Oil Seal	1	70
26	IW1930T-26A	Cylinder	1	6,042
27	IW1930T-27	Spring Pin	1	70
28	IW1930T-28	Rotor	1	1,199
29	IW1930T-29	Rotor Blade	6	70
30	IW1930T-30A	Rear Plate	1	494
31	IW1930T-31	Ball Bearing	1	307
32	IW1930T-32	Pin	1	70
33	IW1930T-33	Spring	1	70
34	IW1930T-34	O-ring	1	23
35	IW1930T-35	Rear Gasket	1	235
36	IW1930T-36	Rear Cover	1	965
37	IW1930T-38	Screw	4	70
38	IW1930T-39	Reverse Lever	1	235
39	IW1930T-40	O-ring	1	47
40	IW1930T-41	Washer	1	47
41	IW1930T-42	Muffler	1	541

SPARES ▶

MODEL : IW-1982

3/4" Sq. Drive Composite Impact Wrench



MODEL : IW-1982

◀ SPARES

3/4" Sq. Drive Composite Impact Wrench

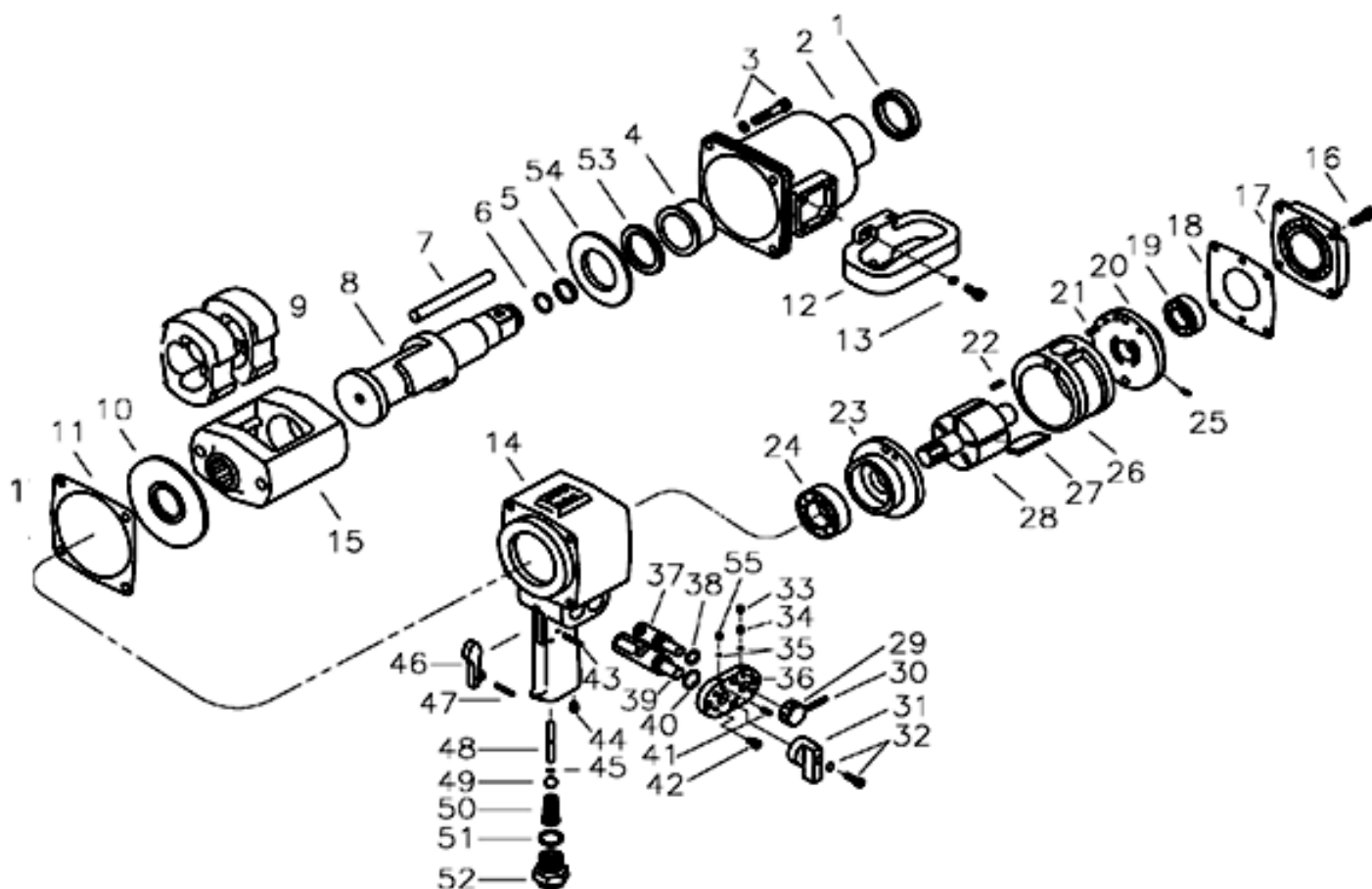
Drg. No.	Part No.	Description	Qty./Tool	Price (₹)
1	IW1982-1	Housing	1	3,497
2	IW1982-2	Seal	1	280
3	IW1982-3	Oil Seal	1	181
4	IW1982-4	Throttle Valve	1	152
4.1	IW1982-4.1	Valve Stem	1	62
4.2	IW1982-4.2	Throttle Valve	1	90
5	IW1982-5	Valve Spring	1	87
6	IW1982-6	Washer	1	77
7	IW1982-7	Exhaust Deflector	1	111
8	IW1982-8	O-ring	1	59
9	IW1982-9	Washer	1	59
10	IW1982-10	Air Inlet	1	339
11	IW1982-11	Trigger	1	312
12	IW1982-12	O-ring	1	59
13	IW1982-13	Throttle Lever Pin	2	235
14	IW1982-14	Washer	1	59
15	IW1982-15	Cap Screw	4	2,550
16	IW1982-16	Reverse Switch	4	3,161
17	IW1982-17	Washer	1	62
18	IW1982-18	Screw	1	66
19	IW1982-19	O-ring	1	80
20	IW1982-20	Reverse Switch	1	794
21	IW1982-21	Gasket	1	260
22	IW1982-22	Spring	1	59
23	IW1982-23	Steel Ball	1	53
24	IW1982-24	Valve	1	2,239
24.1	IW1982-24.1	Valve Seat	1	1,175
24.2	IW1982-24.2	Bushing	1	1,064
25	IW1982-25	Gasket	1	131
26	IW1982-26	Cylinder	1	8,295
26.1	IW1982-26.1	Ball Bearing	1	288
26.2	IW1982-26.2	Cylinder	1	3,094
26.3	IW1982-26.3	Pin	1	72
26.4	IW1982-26.4	Retainer Ring	1	59
26.5	IW1982-26.5	Rotor Blade	6	3,992
26.6	IW1982-26.6	Rotor	1	1,924
26.7	IW1982-26.7	Plate	1	562
26.8	IW1982-26.8	Front End Plate	1	1,026
26.9	IW1982-26.9	O-ring	1	77
26.10	IW1982-26.10	Oil Seal	1	160
26.11	IW1982-26.11	Ball Bearing	1	371
27	IW1982-27	Seal Plate	1	104

Drg. No.	Part No.	Description	Qty./Tool	Price (₹)
28	IW1982-28	Hammer Cage	1	5,672
28.1	IW1982-28.1	Hammer Cage	1	3,982
28.2	IW1982-28.2	Hammer Dog	1	1,413
28.3	IW1982-28.3	Hammer Pin	2	554
28.4	IW1982-28.4	Anvil Ass'y	1	3,025
28.4.1	IW1982-28.4.1	3/4" Anvil	1	2,879
28.4.2	IW1982-28.4.2	O-ring	1	59
28.4.3	IW1982-28.4.3	Socket Retainer	1	87
29	IW1982-29	Anvil Bushing	1	1,871
30	IW1982-30	Front Cover	1	3,337
31	IW1982-31	Screw	1	59

SPARES ►

MODEL : IW-2500T8

1" Sq. Drive Air Impact Wrench with 8" Anvil



MODEL : IW-2500T8

◀ SPARES

1" Sq. Drive Air Impact Wrench with 8" Anvil

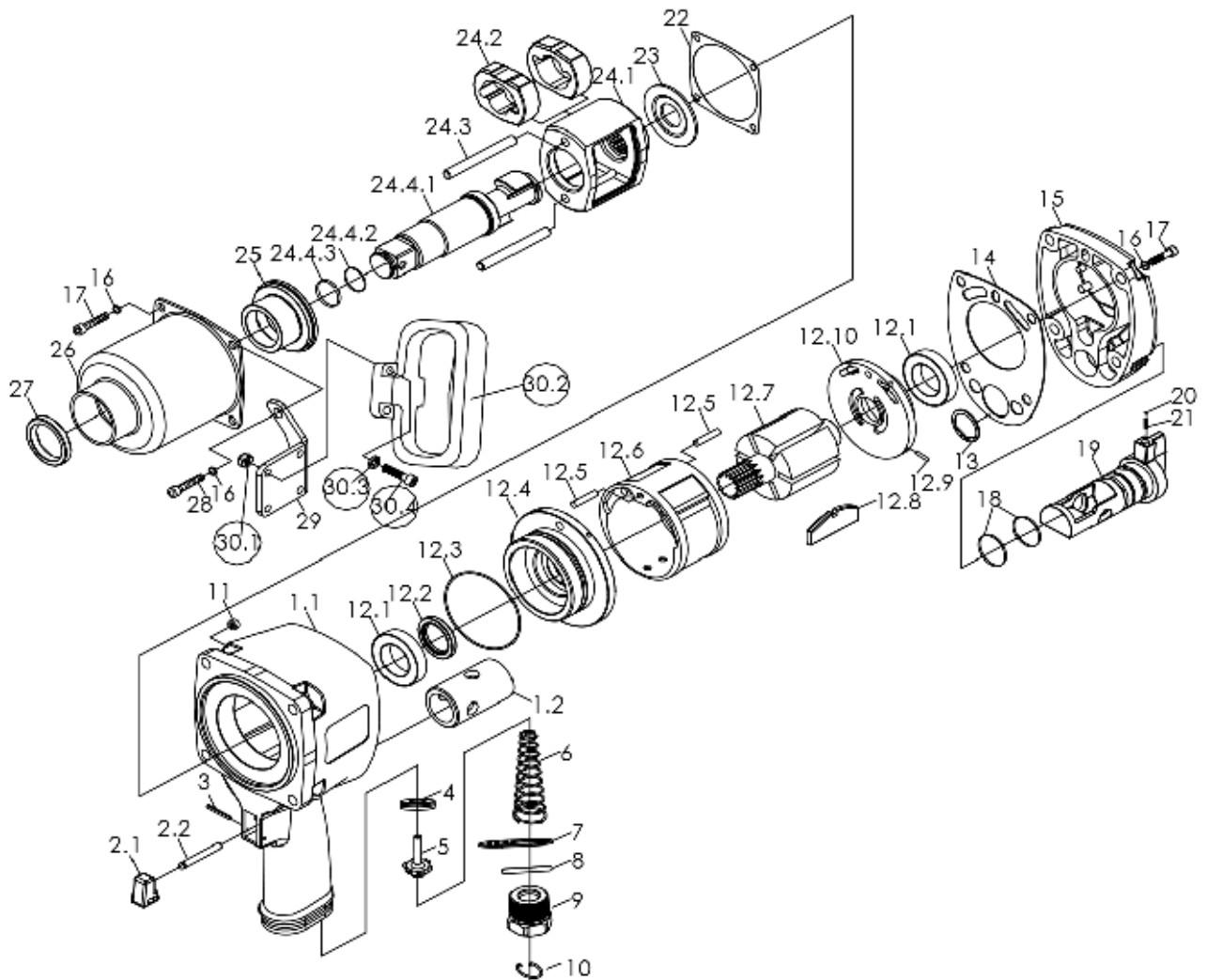
Drg. No.	Part No.	Description	Qty./Tool	Price (₹)
1	IW2500T-01	Oil Seal	1	235
2	IW2500T-02	Hammer Case	1	5,524
3	IW2500T-03	Screw	4	47
4	IW2500T-04	Bushing	1	1,505
5	IW2500T-05	Anvil Collar	1	47
6	IW2500T-06	O-ring	1	23
7	IW2500T-07	Hammer Pin	2	354
8	IW2500T-08-2	Anvil (2")	1	16,080
8	IW2500T-08-8	Anvil (8")	1	21,839
9	IW2500T-09	Hammer Dog	2	4,020
10	IW2500T-10	Washer	1	235
11	IW2500T-11	Gasket	1	681
12	IW2500T-12	D-handle	1	1,505
13	IW2500T-13	Screw+washer	4	23
14	IW2500T-14	Motor Housing	1	16,080
15	IW2500T-15	Hammer Cage	1	13,800
16	IW2500T-16	Screw	4	23
17	IW2500T-17	Rear Cover	1	1,717
18	IW2500T-18	Rear Gasket	1	681
19	IW2500T-19	Ball Bearing	1	917
20	IW2500T-20	Rear Plate	1	3,973
21	IW2500T-21	Spring Pin	1	23
22	IW2500T-22	Spring Pin	1	23
23	IW2500T-23	Front Plate	1	4,020
24	IW2500T-24	Ball Bearing	1	1,670
25	IW2500T-25	Spring Pin	1	23
26	IW2500T-26	Cylinder	1	7,241
27	IW2500T-27	Rotor Blade	6	284
28	IW2500T-28	Rotor	1	5,290

Drg. No.	Part No.	Description	Qty./Tool	Price (₹)
29	IW2500T-29	Regulator Knob	1	118
30	IW2500T-30	Spring Pin	1	23
31	IW2500T-31	Reverse Lever	1	681
32	IW2500T-32	Screw	1	23
33	IW2500T-33	Set Screw	1	23
34	IW2500T-34	Spring	1	23
35	IW2500T-35	Ball	2	23
36	IW2500T-36	Valve Cap	1	235
37	IW2500T-37	Regulator Valve	1	564
38	IW2500T-38	O-ring	1	23
39	IW2500T-39	Reverse Valve	1	1,153
40	IW2500T-40	O-ring	1	23
41	IW2500T-41	Spring Pin	1	23
42	IW2500T-42	Screw	4	23
43	IW2500T-43	Spring Pin	1	23
44	IW2500T-44	Set Screw	1	47
45	IW2500T-45	O-ring	1	23
46	IW2500T-46	Trigger	1	776
47	IW2500T-47	Spring Pin	1	23
48	IW2500T-48	Valve Stem	1	118
49	IW2500T-49	Ball	1	118
50	IW2500T-50	Spring	1	23
51	IW2500T-51	O-ring	1	23
52	IW2500T-52	Hose Adaptor	1	681
53	IW2500T-53	Washer	1	517
54	IW2500T-54	Washer	1	235
55	IW2500T-55	Spring	1	23

SPARES ►

MODEL : IW-2500T2

1" Sq. Drive Composite Impact Wrench





MODEL : IW-2500T2

◀ SPARES

1" Sq. Drive Composite Impact Wrench

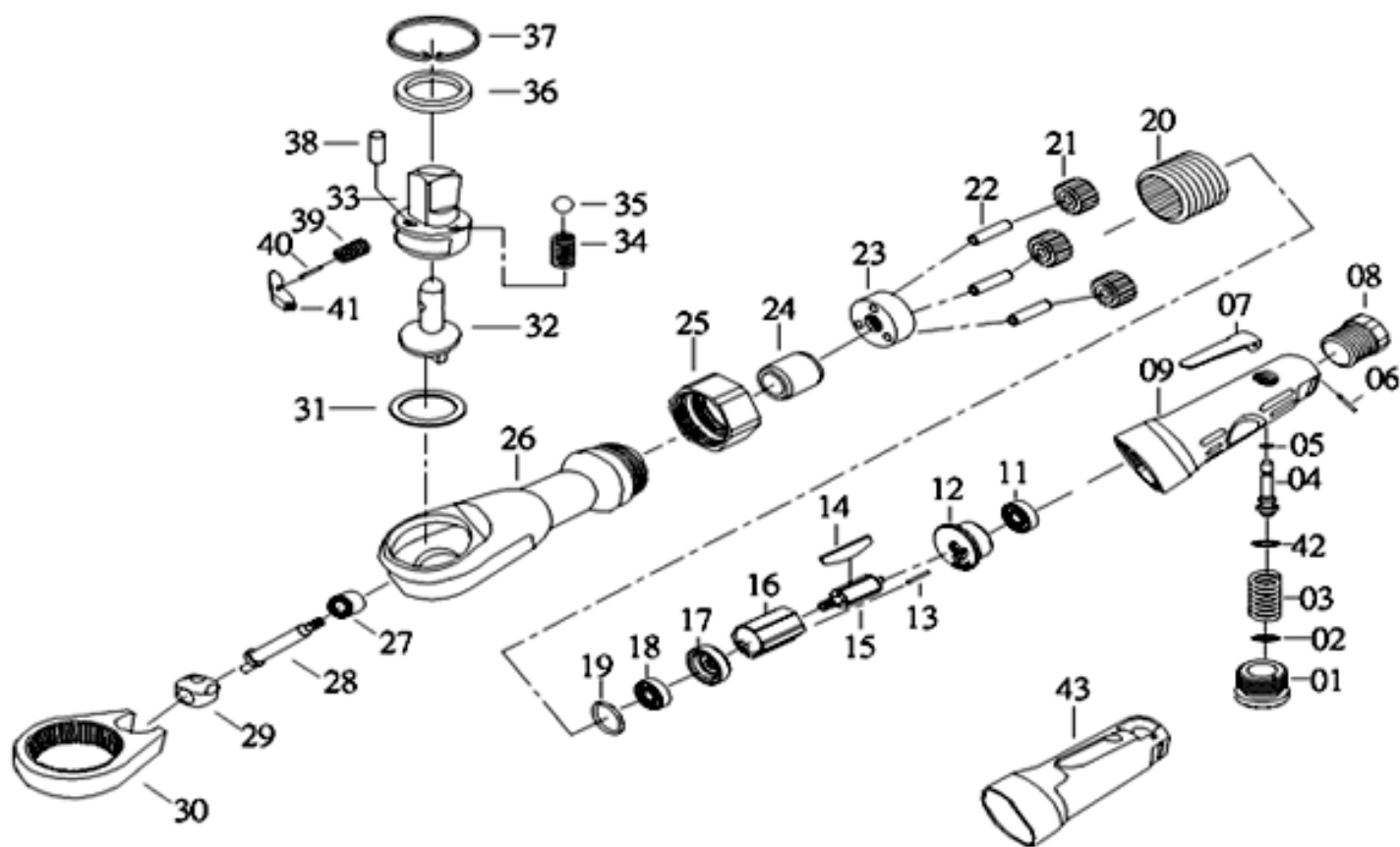
Drg. No.	Part No.	Description	Qty./Tool	Price (₹)
1	IW2500T2-1	Housing Kit	1	11,795
2	IW2500T2-2	Trigger Kit	1	243
3	IW2500T2-3	Spring Pin	1	62
4	IW2500T2-4	Valve Seat	1	128
5	IW2500T2-5	Throttle Valve	1	146
6	IW2500T2-6	Valve Spring	1	87
7	IW2500T2-7	Exhaust Deflector	1	104
8	IW2500T2-8	O-ring	1	87
9	IW2500T2-9	Air Inlet Bushing	1	720
10	IW2500T2-10	Retainer Ring	1	59
11	IW2500T2-11	Nut	4	1,220
12	IW2500T2-12	Cylinder Kit	1	20,177
12.1	IW2500T2-12.1	Ball Bearing	2	2,190
12.2	IW2500T2-12.2	Oil Seal	1	156
12.3	IW2500T2-12.3	O-ring	1	142
12.4	IW2500T2-12.4	Front End Plate	1	3,052
12.5	IW2500T2-12.5	Dowel Pin	2	250
12.6	IW2500T2-12.6	Cylinder	1	4,643
12.7	IW2500T2-12.7	Rotor	1	6,480
12.8	IW2500T2-12.8	Rotor Blade	6	8,108
12.9	IW2500T2-12.9	Dowel Pin	1	62
12.10	IW2500T2-12.1	Rear End Plate	1	3,070
13	IW2500T2-13	Retainer Ring	1	77
14	IW2500T2-14	Gasket	1	1,082
15	IW2500T2-15	End Cap	1	2,176
16	IW2500T2-16	Washer	8	4,657
17	IW2500T2-17	Cap Screw	6	4,116
18	IW2500T2-18	O-ring	2	250
19	IW2500T2-19	Reverse Switch	1	1,642

Drg. No.	Part No.	Description	Qty./Tool	Price (₹)
20	IW2500T2-20	Spring	1	59
21	IW2500T2-21	Steel Ball	1	72
22	IW2500T2-22	Gasket	1	226
23	IW2500T2-23	Washer	1	246
24	IW2500T2-24	Hammer Cage Kit	1	39,390
24.1	IW2500T2-24.1	Hammer Cage	1	21,289
24.2	IW2500T2-24.2	Hammer Dog	2	33,403
24.3	IW2500T2-24.3	Hammer Pin	2	2,799
24.4	IW2500T2-24.4	Anvil Kit	1	28,871
24.4.1	IW2500T2-24.4.1	Anvil (1"dr,2")	1	28,722
24.4.2	IW2500T2-24.4.2	O-ring	1	59
24.4.3	IW2500T2-24.4.3	Socket Retainer	1	90
25	IW2500T2-25	Anvil Bushing	1	3,873
26	IW2500T2-26	Front Cover	1	4,477
27	IW2500T2-27	Oil Seal	1	260
28	IW2500T2-28	Screw	2	458
29	IW2500T2-29	Handle Grip Rack	1	1,439
30	IW2500T2-30	Cylinder Kit	1	2,786
30.1	IW2500T2-30.1	Valve Plug	4	1,275
30.2	IW2500T2-30.2	Handle	1	1,996
30.3	IW2500T2-30.3	Washer	4	832
30.4	IW2500T2-30.4	Screw	4	1,053

SPARES ▶

MODEL : RW-RA12A

1/2" Sq. Drive Air Impact Wrench



MODEL : RW-RA12A

1/2" Sq. Drive Air Impact Wrench

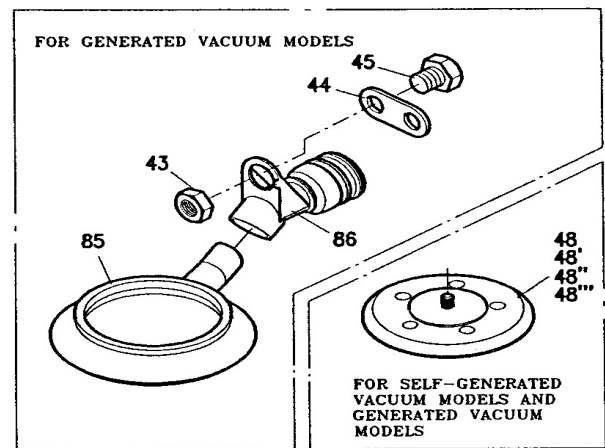
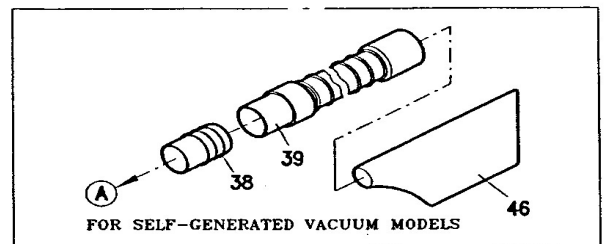
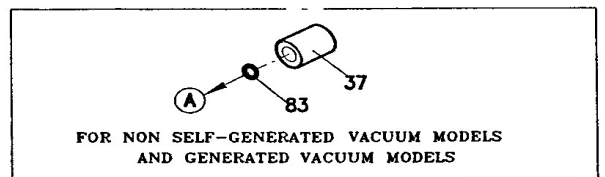
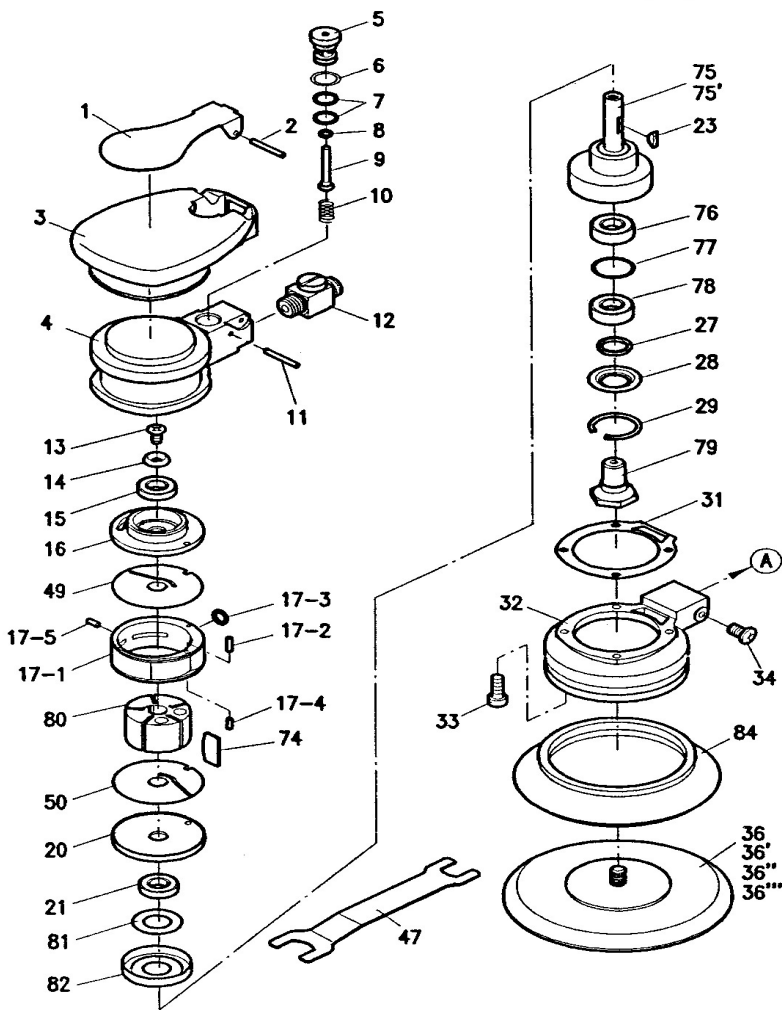
◀ SPARES

Drg. No.	Part No.	Description	Qnty./Tool	Price (₹)
1	RWRA12A-01	Plug	1	70
2	RWRA12A-02	O-ring	1	23
3	RWRA12A-03	Throttle Valve Spring	1	23
4	RWRA12A-04	Valve Stem	1	95
5	RWRA12A-05	O-ring	1	23
6	RWRA12A-06	Spring Pin	1	23
7	RWRA12A-07	Throttle Lever	1	70
8	RWRA12A-08	Air Inlet Bushing	1	118
9	RWRA12A-09	Motor Housing	1	1,035
11	RWRA12A-11	Ball Bearing	1	165
12	RWRA12A-12	Rear End Plate	1	118
13	RWRA12A-13	Spring Pin	1	23
14	RWRA12A-14	Rotor Blade	4	47
15	RWRA12A-15	Rotor	1	634
16	RWRA12A-16	Cylinder	1	377
17	RWRA12A-17	Front End Plate	1	118
18	RWRA12A-18	Ball Bearing	1	188
19	RWRA12A-19	Washer	1	23
20	RWRA12A-20	Internal Gear	1	258
21	RWRA12A-21	Planet Gear	3	165
22	RWRA12A-22	Gear Pivot	3	23
23	RWRA12A-23	Gear Plate	1	95
24	RWRA12A-24	Bushing	1	47
25	RWRA12A-25	Clamp Nut	1	165
26	RWRA12A-26	Ratchet Housing	1	1,929
27	RWRA12A-27	Needle Bearing	1	258
28	RWRA12A-28	Crank Shaft	1	330
29	RWRA12A-29	Drive Bushing	1	165
30	RWRA12A-30	Ratchet Yoke	1	446
31	RWRA12A-31	Washer	1	23
32	RWRA12A-32	Reverse Button	1	95
33	RWRA12A-33	Ratchet Anvil 1/2"sq.	1	446
34	RWRA12A-34	Friction Spring	2	23
35	RWRA12A-35	Steel Ball	2	23
36	RWRA12A-36	Thrust Washer 1/2"sq.	1	165
37	RWRA12A-37	Retaining Ring	1	23
38	RWRA12A-38	Pawl Pivot	1	23
39	RWRA12A-39	Spring	1	23
40	RWRA12A-40	Spring Cap	1	70
41	RWRA12A-41	Ratchet Pawl	1	165
42	RWRA12A-42	O-ring	1	23
43	RWRA12A-43	Protecting Rubber	1	188

SPARES ▶

MODEL : OS-303

5" Orbital Air Sander



MODEL : OS-303

5" Orbital Air Sander

◀ SPARES

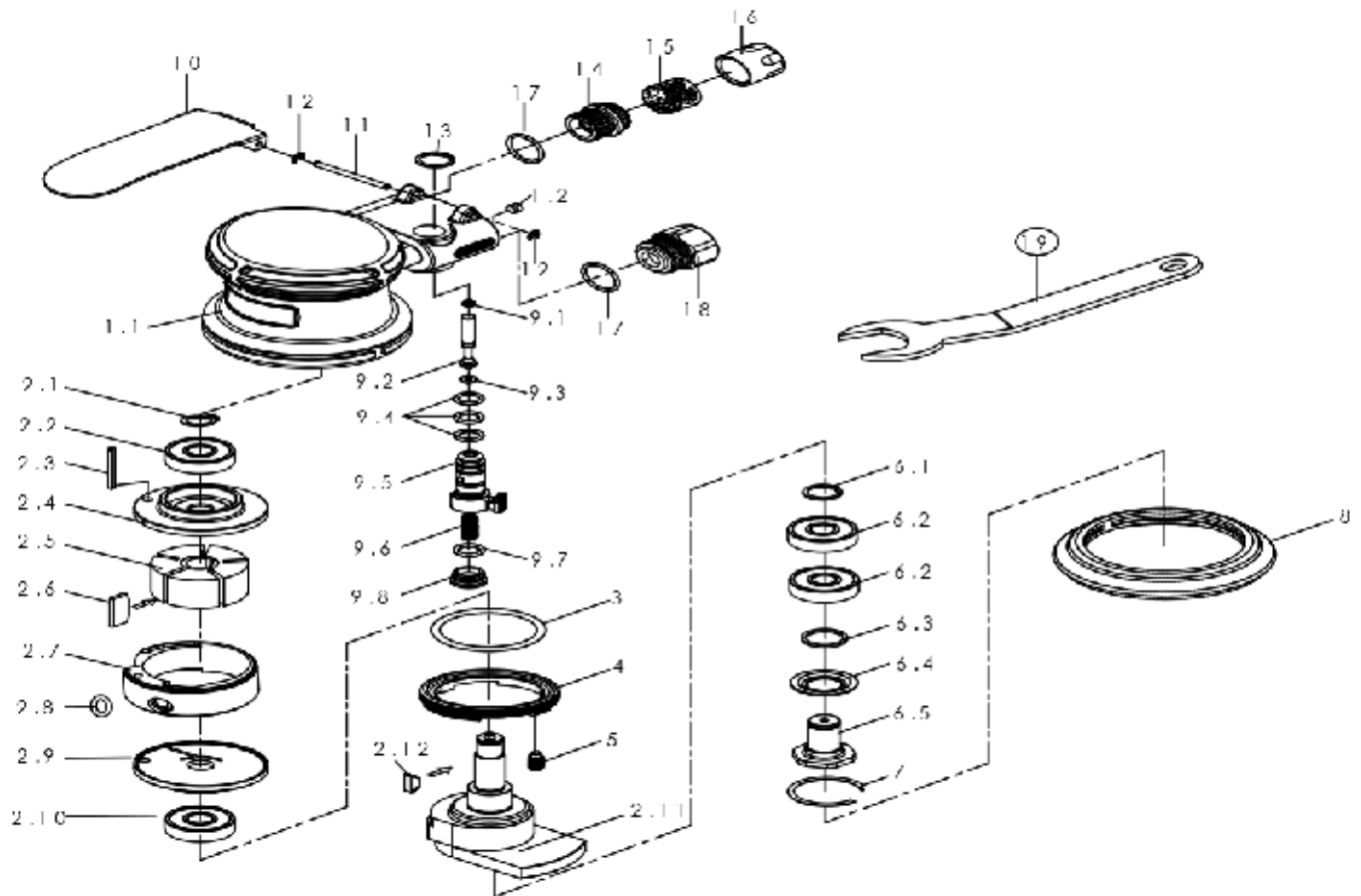
Drg. No.	Part No.	Description	Qty./Tool	Price (₹)
1	OS303-01	Valve Lever	1	177
2	OS303-02	Spring Pin (ϕ 3×25)	1	43
3	OS303-03	Body Cover	1	947
4	OS303-04	Body	1	1,800
5	OS303-05	Valve Pin Sleeve	1	543
6	OS303-06	Wave Washer (ww-12)	1	43
7	OS303-07	O-ring (p8)	2	43
8	OS303-08	O-ring (id4×w1.5)	1	43
9	OS303-09	Valve	1	287
10	OS303-10	Valve Spring	1	43
11	OS303-11	Needle Pin (ϕ 3×22)	1	97
12	OS303-12	Regulator Set	1 SET	1,016
13	OS303-13	Screw (m5×10)	1	43
14	OS303-14	Conical Washer (m5)	1	69
15	OS303-15	Ball Bearing (6000zz)	1	636
16	OS303-16	Rear Plate	1	1,153
17	OS303-17	Cylinder Set	1 SET	2,671
17-1	OS303-17-1	Cylinder	1	2,503
17-2	OS303-17-2	Spring Pin (ϕ 3×5)	1	43
17-3	OS303-17-3	O-ring (p7)	1	43
17-4	OS303-17-4	Spring Pin (ϕ 3×5)	1	43
17-5	OS303-17-5	Spring Pin (ϕ 3×5)	1	43
20	OS303-20	L-bearing Case	1	1,153
21	OS303-21	Ball Bearing (6000zz)	1	636
23	OS303-23	Rotor Key (3×13)	1	124
27	OS303-27	Felt Ring (ϕ 18)	1	110
28	OS303-28	Bearing Shield	1	43
29	OS303-29	Snap Ring (nr28)	1	69
31	OS303-31	Body Gasket	1	110
32	OS303-32	Base Ring	1	554
33	OS303-33	Cap Bolt (m4×10)	4	43
34	OS303-34	Screw (m4×8)	1	43
36-1	OS303-36-1	5"×0 Hole Vinyl Face Pad	1	1,217
36-2	OS303-36-2	5"×0 Hole Velcro Face Pad	1	1,623
36-3	OS303-36-3	6"×0 Hole Vinyl Face Pad	1	1,893
36-4	OS303-36-4	6"×0 Hole Velcro Face Pad	1	2,231
37	OS303-37	Silencer Set	1 SET	760
38	OS303-38	Ejector	1	516
39	OS303-39	Dust Hose Set	1 SET	1,257

Drg. No.	Part No.	Description	Qty./Tool	Price (₹)
43	OS303-43	Hex. Nut	1	69
44	OS303-44	Plate	1	205
45	OS303-45	Hex. Hd. Screw	1	124
46	OS303-46	Dust Bag	1	1,097
47	OS303-47	Stop Spanner (17×22)	1	341
48-1	OS303-48-1	5"×5 Hole Vinyl Face Pad	1	1,353
48-2	OS303-48-2	5"×5 Hole Velcro Face Pad	1	1,827
48-3	OS303-48-3	6"×6 Hole Vinyl Face Pad	1	2,095
48-4	OS303-48-4	6"×6 Hole Velcro Face Pad	1	2,367
49	OS303-49	U-side Plate	1	137
50	OS303-50	L-side Plate	1	137
74	OS303-74	Vane	5	69
75	OS303-75	5" Shaft With Head	1	2,949
75-1	OS303-75-1	6" Shaft With Head	1	2,949
76	OS303-76	Ball Bearing (6001)	1	570
77	OS303-77	Washer	1	43
78	OS303-78	Ball Bearing (6001zz)	1	690
79	OS303-79	Pad Shaft	1	811
80	OS303-80	Rotor	1	1,786
81	OS303-81	Washer	1	110
82	OS303-82	Safeguard Bushing	1	69
83	OS303-83	O-ring (p7)	1	43
84	OS303-84	Shroud	1	341
85	OS303-85	Shroud	1	407
86	OS303-86	Vacuum Adapter (ϕ 33.5)	1	501

SPARES ►

MODEL : OS-306

5" Orbital Air Sander



MODEL : OS-306

5" Orbital Air Sander

◀ SPARES

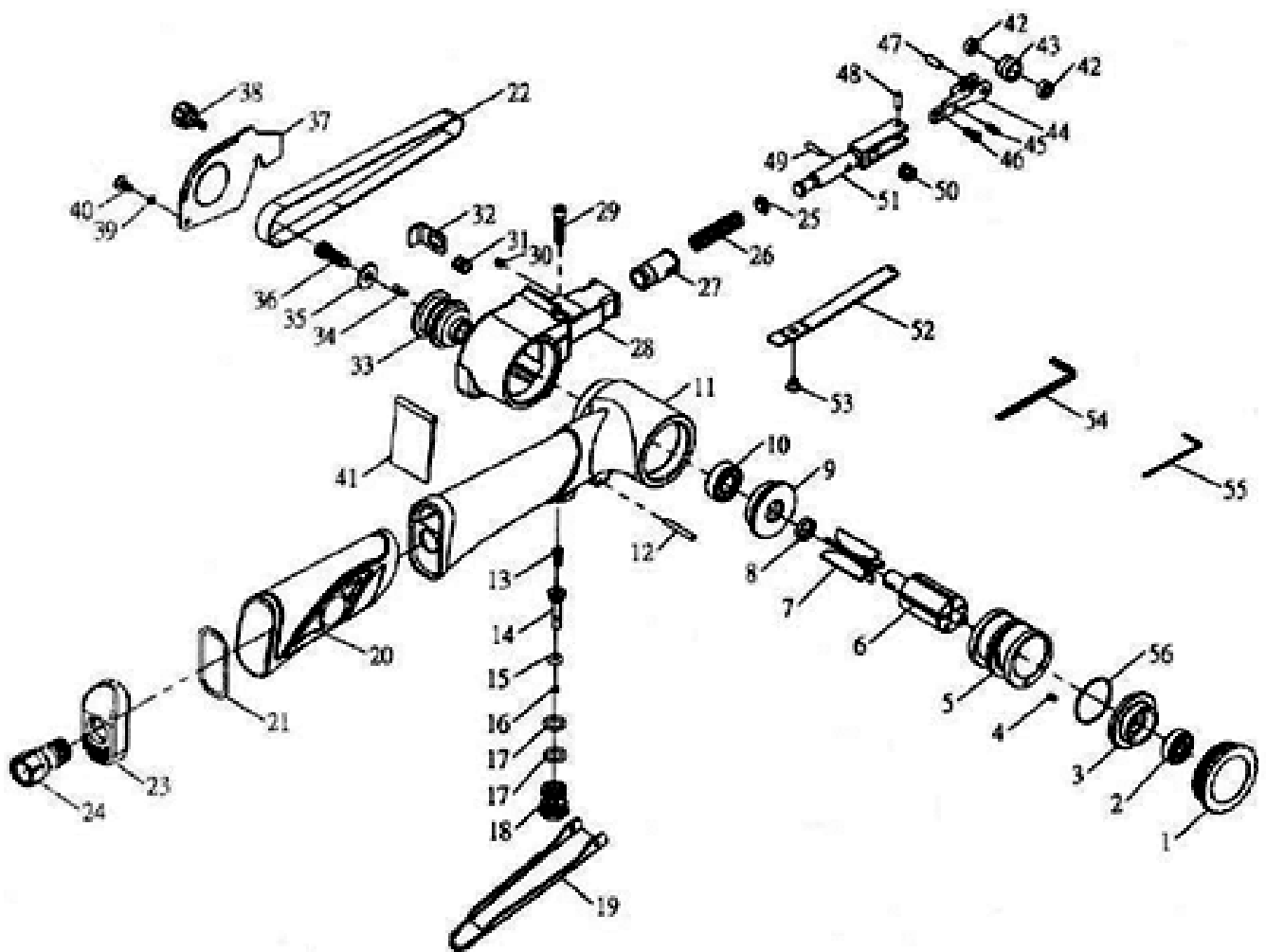
Drg. No.	Part No.	Description	Qty./Tool	Price (₹)
1	OS306-1	Housing Kit	1	197
2	OS306-2	Cylinder Kit	1	10,883
2.1	OS306-2.1	Retainer Ring	1	59
2.2	OS306-2.2	Bearing	1	211
2.3	OS306-2.3	Spring Pin	1	62
2.4	OS306-2.4	End Plate	1	807
2.5	OS306-2.5	Rotor	1	1,428
2.6	OS306-2.6	Rotor Blade	5	5,285
2.7	OS306-2.7	Cylinder	1	1,906
2.8	OS306-2.8	O-ring	1	59
2.9	OS306-2.9	Front End Plate	1	655
2.10	OS306-2.10	Bearing	1	246
2.11	OS306-2.11	Crank Shaft	1	4,289
2.12	OS306-2.12	Key	1	104
3	OS306-3	O-ring	1	90
4	OS306-4	Lock Ring	1	621
5	OS306-5	Screw	2	305
6	OS306-6	Balancer Shaft Kit	1	1,407
6.1	OS306-6.1	Retainer Ring	1	59
6.2	OS306-6.2	Ball Bearing	2	984
6.3	OS306-6.3	Bearing Seal	1	87
6.4	OS306-6.4	Washer	1	77
6.5	OS306-6.5	Balancer Shaft	1	693
7	OS306-7	Retainer Ring	1	72
8	OS306-8	Pad Cover	1	454
9	OS306-9	Air Regulator Kit	1	1,448
9.1	OS306-9.1	O-ring	1	59
9.2	OS306-9.2	Valve Stem	1	146
9.3	OS306-9.3	O-ring	1	59
9.4	OS306-9.4	O-ring	3	530
9.5	OS306-9.5	Air Regulator	1	707
9.6	OS306-9.6	Spring	1	59
9.7	OS306-9.7	O-ring	1	59
9.8	OS306-9.8	Screw	1	184
10	OS306-10	Throttle Lever	1	354
11	OS306-11	Lever Pin	1	93
12	OS306-12	Retainer Ring	2	208
13	OS306-13	Retainer Ring	1	59
14	OS306-14	Outlet Bushing	1	354

Drg. No.	Part No.	Description	Qty./Tool	Price (₹)
15	OS306-15	Muffler Inset	1	01
16	OS306-16	Muffler Cap	1	101
17	OS306-17	O-ring	2	235
18	OS306-18	Air Inlet Bushing	1	260
19	OS306-19	Pad Wrench	1	450

SPARES ▶

MODEL : BS-003

10x330mm Air Belt Sander



MODEL : BS-003

10x330mm Air Belt Sander

◀ SPARES

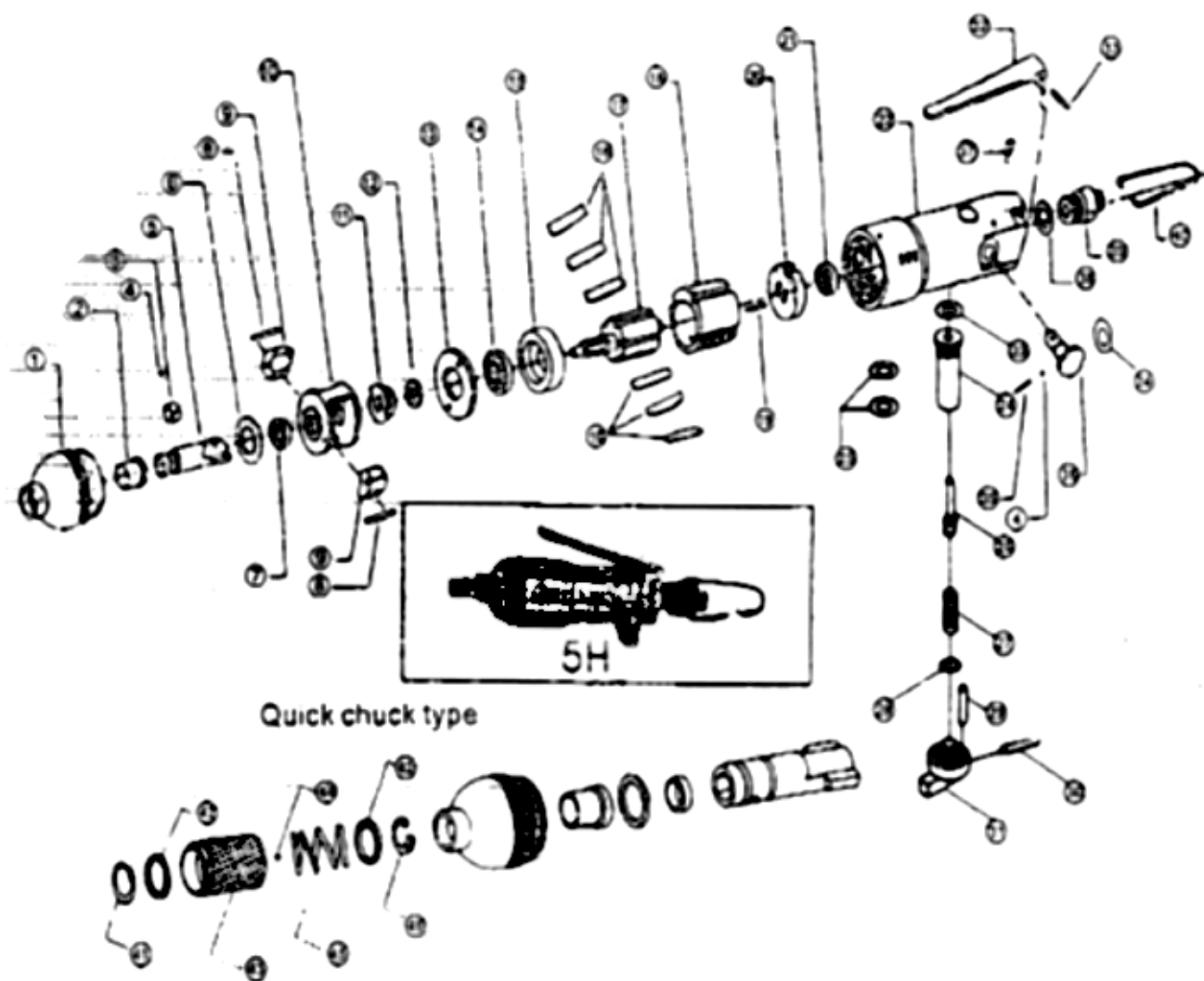
Drg. No.	Part No.	Description	Qty./Tool	Price (₹)
1	BS003-01	Cap	1	275
2	BS003-02	Ball Bearing (626zz)	1	443
3	BS003-03	End Plate A	1	369
4	BS003-04	Pin	1	13
5	BS003-05	Cylinder	1	1,614
6	BS003-06	Rotor	1	717
7	BS003-07	Rotor Blade	5	43
8	BS003-08	Spacer	1	64
9	BS003-09	End Plate B	1	369
10	BS003-10	Ball Bearing (r6zz)	1	443
11	BS003-11	Housing	1	3,004
12	BS003-12	Lever Pin (d3*23)	1	13
13	BS003-13	Spring	1	21
14	BS003-14	Valve Stem	1	127
15	BS003-15	O-ring (3.6*d2.4)	1	13
16	BS003-16	O-ring (2.2*d0.9)	1	13
17	BS003-17	O-ring (p9)	2	13
18	BS003-18	Valve Body	1	253
19	BS003-19	Safety Lever	1	253
20	BS003-20	Cover Handle	1	266
21	BS003-21	Washer	1	43
22	BS003-22	Sandpaper Belt#100	1	275
23	BS003-23	Exhaust Control Spacer	1	96
24	BS003-24	Inlet Bushing	1	266
25	BS003-25	Washer	1	58
26	BS003-26	Spring	1	43
27	BS003-27	Guide Cover	1	287
28	BS003-28	Guard Body	1	1,633

Drg. No.	Part No.	Description	Qty./Tool	Price (₹)
29	BS003-29	Screw (m4*8)	1	13
30	BS003-30	Set Screw (m4*5)	1	13
31	BS003-31	Spring	1	27
32	BS003-32	Block Slice	1	70
33	BS003-33	Drive Pulley	1	632
34	BS003-34	Key	1	85
35	BS003-35	Washer	1	55
36	BS003-36	Screw (m6*16)	1	43
37	BS003-37	Belt Guard	1	338
38	BS003-38	Handle Screw	1	127
39	BS003-39	O-ring	1	23
40	BS003-40	Screw (m6*16)	1	13
41	BS003-41	Dust Cover	1	127
42	BS003-42	Ball Bearing (684zz)	2	423
43	BS003-43	Idle Pulley	1	181
44	BS003-44	Bracket 10	1	865
45	BS003-45	Screw (m3*8)	1	13
46	BS003-46	Screw (m3*12)	1	33
47	BS003-47	Pin (?4*10.8)	1	33
48	BS003-48	Spring Pin (?3*10)	1	13
49	BS003-49	Lever Pin (?3*12)	1	13
50	BS003-50	Spring(1.0*7.2*6.5)	1	21
51	BS003-51	Tension Bar 10	1	928
52	BS003-52	Shoe 10	1	96
53	BS003-53	Screw (m4*6)	1	13
54	BS003-54	Hexagon Wrenchen Key (3mm)	1	33
55	BS003-55	Hexagon Wrenchen Key (1.5mm)	1	33
56	BS003-56	O-ring	1	134

SPARES ▶

MODEL : SD-5MA

3-5mm Screw Driver



MODEL : SD-5MA

3-5mm Screw Driver

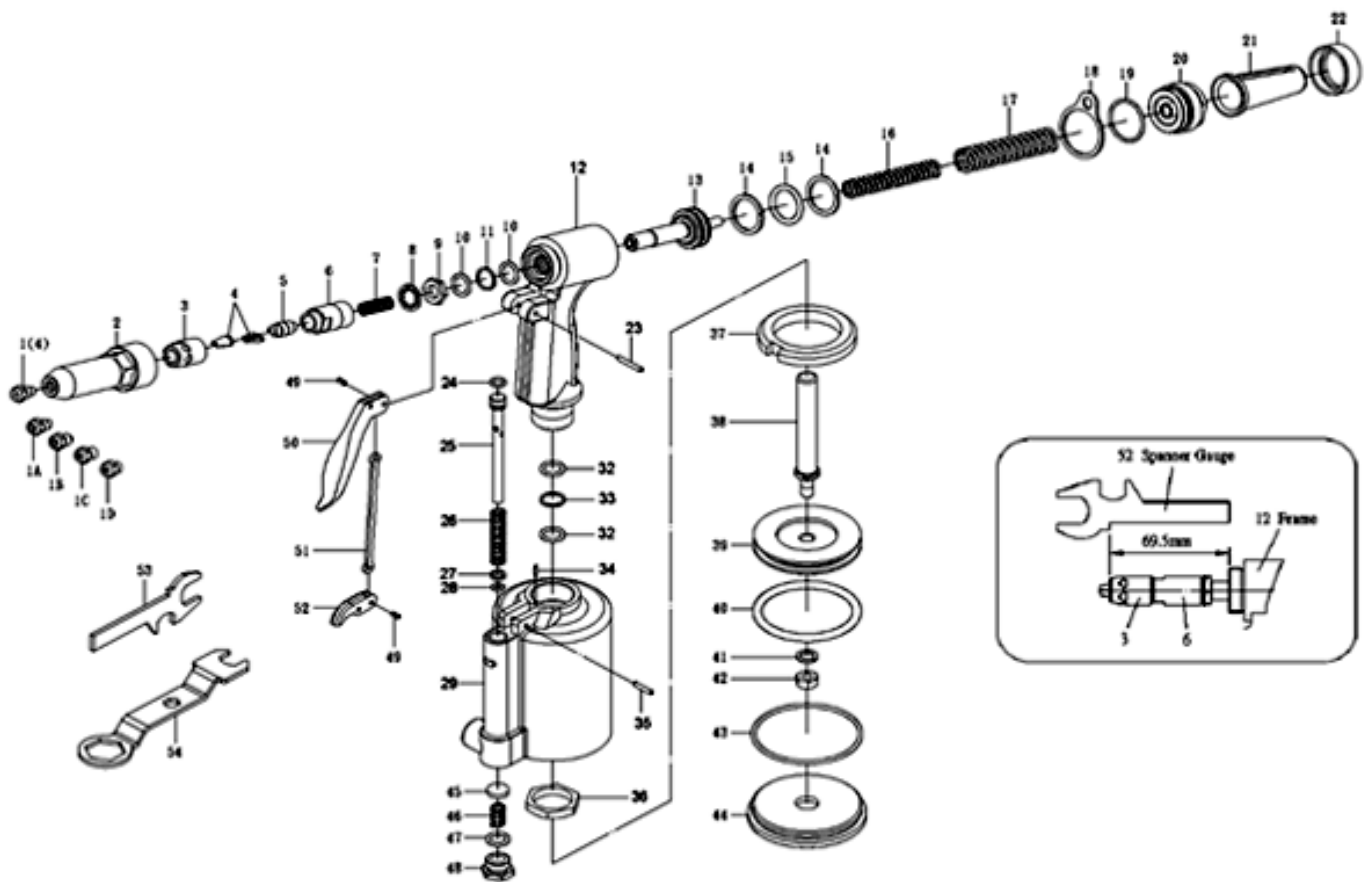
Drg. No.	Part No.	Description	Qty./Tool	Price (₹)
1	SD5MA-01	Hammer Case	1	465
2	SD5MA-02	Bushing	1	139
3	SD5MA-03	Steel Ball Ring	1	233
4	SD5MA-04	Steel Ball	2	23
5	SD5MA-05	Anvil	1	539
6	SD5MA-06	Washer	1	64
7	SD5MA-07	Spacer	1	92
8	SD5MA-08	Hammer Pin	2	38
9	SD5MA-09	Hammer Dog	2	296
10	SD5MA-10	Hammer Cage	1	992
11	SD5MA-11	Hammer Cam	1	296
12	SD5MA-12	Washer	1	57
13	SD5MA-13	Nut	1	141
14	SD5MA-14	Bearing	1	338
15	SD5MA-15	Front End Plate	6	245
16	SD5MA-16	Rotor Blade	1	43
17	SD5MA-17	Rotor	1	822
18	SD5MA-18	Cylinder	1	928
19	SD5MA-19	Pin	1	23
20	SD5MA-20	Rear End Plate	1	245
21	SD5MA-21	Bearing	1	360
22	SD5MA-22	Housing	1	1,222
23	SD5MA-23	Valve Stem	1	64
24	SD5MA-24	O-ring	1	23
25	SD5MA-25	Valve Bushing	1	496
26	SD5MA-26	O-ring	2	23
27	SD5MA-27	O-ring	1	23
29	SD5MA-29	Spring	1	23
30	SD5MA-30	O-ring	1	23

Drg. No.	Part No.	Description	Qty./Tool	Price (₹)
31	SD5MA-31	Pin	1	23
32	SD5MA-32	Reverse Knob	1	64
33	SD5MA-33	Pin	1	23
34	SD5MA-34	Switch Lever	1	96
35	SD5MA-35	Pin	1	23
36-37	SD5MA-36-37	Spring+air Regulator	1 SET	360
38	SD5MA-38	Screw	1	23
40	SD5MA-40	Washer	1	23
41	SD5MA-41	Air Inlet	1	105
42	SD5MA-42	Hanger	1	45
43	SD5MA-43	O-ring	1	23
44	SD5MA-44	Washer	1	23
45	SD5MA-45	Ball Retainer	1	170
46	SD5MA-46	Spring	1	23
47	SD5MA-47	C-lock (retainer Washer)	1	23

SPARES ▶

MODEL : HR-RV105L

3/16" Air Hydraulic Riveter



MODEL : HR-RV105L

3/16" Air Hydraulic Riveter

◀ SPARES

Drg. No.	Part No.	Description	Qty./Tool	Price (₹)
1A	HRRV105L-1A	Nosepieces , 3/16"	1	76
1B	HRRV105L-1B	Nosepieces , 5/32"	1	76
1C	HRRV105L-1C	Nosepieces , 1/8"	1	76
1D	HRRV105L-1D	Nosepieces , 3/32"	1	76
2	HRRV105L-02	Frame Head	1	712
3	HRRV105L-03	Jaw Case , Front	1	443
4	HRRV105L-04	Jaw	2	203
5	HRRV105L-05	Jaw Pusher	1	338
6	HRRV105L-06	Jaw Case , Rear	1	191
7	HRRV105L-07	Spring , Jaw Pusher	1	233
8	HRRV105L-08	Case Washer Ring	1	23
9	HRRV105L-09	Lock Nut	1	23
10	HRRV105L-10	O-ring	2	23
11	HRRV105L-11	Backup Ring	1	38
12	HRRV105L-12	Frame	1	3,004
13	HRRV105L-13	Piston Assy.	1	971
14	HRRV105L-14	O-ring	2	58
15	HRRV105L-15	Backup Ring	1	64
16	HRRV105L-16	Spring	1	287
17	HRRV105L-17	Spring	1	428
18	HRRV105L-18	Hanging Clip	1	55
19	HRRV105L-19	O-ring	1	23
20	HRRV105L-20	Frame Cap	1	793
21	HRRV105L-21	Safety Cap	1	85
22	HRRV105L-22	Nut , Frame Cap	1	173
23	HRRV105L-23	Spring Pin , Lever	1	23

Drg. No.	Part No.	Description	Qty./Tool	Price (₹)
24	HRRV105L-24	O-ring	1	23
25	HRRV105L-25	Pusher , Valve	1	233
26	HRRV105L-26	Spring , Valve	1	43
27	HRRV105L-27	Collar , Valve	1	23
28	HRRV105L-28	O-ring	1	23
29	HRRV105L-29	Cylinder	1	2,529
32	HRRV105L-32	O-ring	2	318
33	HRRV105L-33	Backup Ring	1	72
34	HRRV105L-34	Spring Pin	1	23
35	HRRV105L-35	Spring Pin	1	23
36	HRRV105L-36	Lock Nut , Frame	1	127
37	HRRV105L-37	Rubber Cushion	1	127
38	HRRV105L-38	Stem , Air Piston	1	476
39	HRRV105L-39	Piston	1	529
40	HRRV105L-40	O-ring (61x5)	1	90
41	HRRV105L-41	Spring Washer	1	23
42	HRRV105L-42	Nut	1	23
43	HRRV105L-43	O-ring	1	76
44	HRRV105L-44	Cap , Cylinder	1	949
45	HRRV105L-45	Valve	1	38
46	HRRV105L-46	Spring , Valve	1	33
47	HRRV105L-47	O-ring	1	23
48	HRRV105L-48	Cap , Valve	1	139
49	HRRV105L-49	Spring Pin	2	23
50	HRRV105L-50	Trigger	1	118
51	HRRV105L-51	Trigger Rod	1	64
52	HRRV105L-52	Trigger Lever	1	76
53	HRRV105L-53	Spanner Gauge	1	123
54	HRRV105L-54	Spanner	1	186



**PRICE LIST OF
SPARE PARTS
FOR
MOTOR**



SPARES ►

PRICE LIST FOR MOTOR SPARE

Motor Type	Armature	List Price (₹)	Fiend Coil	List Price (₹)	Carbon	List Price (₹)	BR Hold ER With Cap	List Price (₹)
SMP-3	830.3.31	2325	820.3.15	869	251.9.17	76	252.1.21	89
SM4D	831.3.50	3364	821.3.53	1788	251.9.17	76	251.1.21	101
SPM-6	830.3.45	3983	820.3.92	1187	251.9.23	148	252.1.23	191
SPM-6(110V)	832.3.39	3983	820.3.95	1187	251.9.23	148	252.1.23	191
SPM-8	830.3.44	2741	820.3.39	869	251.9.12	76	252.1.15	100
SPM-8 (110V)	831.3.05	2741	820.3.81	869	251.9.12	76	252.1.15	100
SPM-9	830.3.33	2443	820.3.18	869	251.9.18	148	252.1.22	181
SPM-13	830.3.46	2741	820.3.88	869	251.9.17	76	252.1.21	89
SPM-13 (110V)	830.3.96	2741	830.3.77	3985	251.9.16	90	252.1.21	89
SPM-18	830.3.36	2776	820.3.21	869	251.9.17	76	252.1.21	89
SPM-18 (110V)	830.3.97	2776	820.3.78	869	251.9.17	76	252.1.21	89
SPM-23	830.3.37	1986	820.3.22	607	251.9.12	76	252.1.15	100
SPM-24	833.3.38	1986	820.3.41	607	251.9.12	76	252.1.15	100
SPM-25(110V)	831.3.12	2663	820.3.77	869	251.9.16	90	252.1.21	89
SPM-34	830.3.41	4291	820.3.25	964	251.9.21	90	862.3.11	91
SPM-35	830.3.42	2632	820.3.26	849	251.9.22	126	252.1.21	89
SPM-40	830.3.39	2933	820.3.42	869	251.9.17	76	252.1.21	89
SPM-43	830.3.54	4482	820.3.27	1090	251.9.17	76	252.1.21	89
SPM-43 (110V)	830.3.93	4482	820.3.80	1090	251.9.17	76	252.1.21	89
SPM-56	830.3.65	2663	820.3.59	607	251.9.12	76	252.1.15	100
SPM-56(110V)	830.3.95	2663	820.3.72	607	251.9.12	76	252.1.15	100
SPM-57	830.3.49	2412	820.3.33	776	251.9.12	76	252.1.15	100
SPM-57 (110V)	831.3.06	2412	820.3.82	776	251.9.12	76	252.1.15	100
SPM-58/59	830.3.50	3269	820.3.34	830	251.9.17	76	252.1.21	89
SPM-62	830.3.51	3183	820.3.35	1253	251.9.17	76	252.1.21	89
SPM-63	830.3.37	1986	820.3.36	607	251.9.12	76	252.1.15	100
SPM-64	830.3.52	2487	820.3.37	964	251.9.22	90	252.1.21	89
SPM-67	830.3.26	4312	830.3.12	2704	251.9.14	68	252.1.19	140
SPM-68	830.3.55	4312	820.3.39	1090	251.9.16	90	252.1.21	89
SPM-72	830.3.26	4312	820.3.12	1090	251.9.14	68	252.1.19	140
UM-4	830.3.19	2741	820.3.10	723	251.9.05	90	862.3.05	82
UM-15	832.3.90	2565	822.3.51	713	251.9.12	76	252.1.15	100
UM-15(110V)	833.3.22	2565	822.3.68	713	251.9.12	76	252.1.15	100
UM-18	832.3.98	2621	822.3.56	717	251.9.12	76	252.1.15	100
UM-18(110V)	832.3.99	2621	822.3.57	717	251.9.12	76	252.1.15	100
UM-25	833.3.27	2663	822.3.72	896	251.9.17	76	252.1.21	89
UM-25(110V)	833.3.28	2663	822.3.73	896	251.9.17	76	251.1.12	97
UMG-5	830.3.24	2220	820.3.11	860	251.9.14	68	252.1.19	140
UMG-7	830.3.59	3066	820.3.45	772	251.9.14	68	252.1.19	140
UMG-7 (110V)	833.3.14	3066	822.3.64	772	251.9.14	68	252.1.19	140
UMG-14	832.3.83	3501	822.3.45	964	251.9.05	90	252.1.07	79
UMG-14(110V)	832.3.87	3501	822.3.47	964	251.9.05	90	252.1.07	79
PMG-20/26	830.3.20	1497	NA	174NA	251.9.06	82	252.1.09	150
PMDC-58/59	2833.3.69	3264	NA	830	251.9.17	76	251.1.21	97

RalliWolf Industries Ltd.

(Formerly Ralli Engineering Ltd)

An ISO 9001 : 2015 certified Organisation

Regd Office : 4 Fairlie Place, Kolkata – 700 001, India,
P : +91 33 226 27341 **E :** info@ralliwolf.com

Works : G-104, MIDC Area, Ahmednagar - 414 111, Maharashtra, India, **E :** works@ralliwolf.com

Customer Care : P : +91 81000 80353 | E : customercare@ralliwolf.com

Sales Network : Ahmedabad, Bangalore, Baroda, Bhopal, Chennai, Coimbatore, Cuttack, Delhi, Gurgaon, Guwahati, Jaipur, Jamshedpur, Kolkata, Ludhiana, Mumbai, Nagpur, Pune, Secunderabad, Siliguri, Thiruvananthapuram, Trichy, Vishakhapatnam



* The pictures and specification are only for reference.

