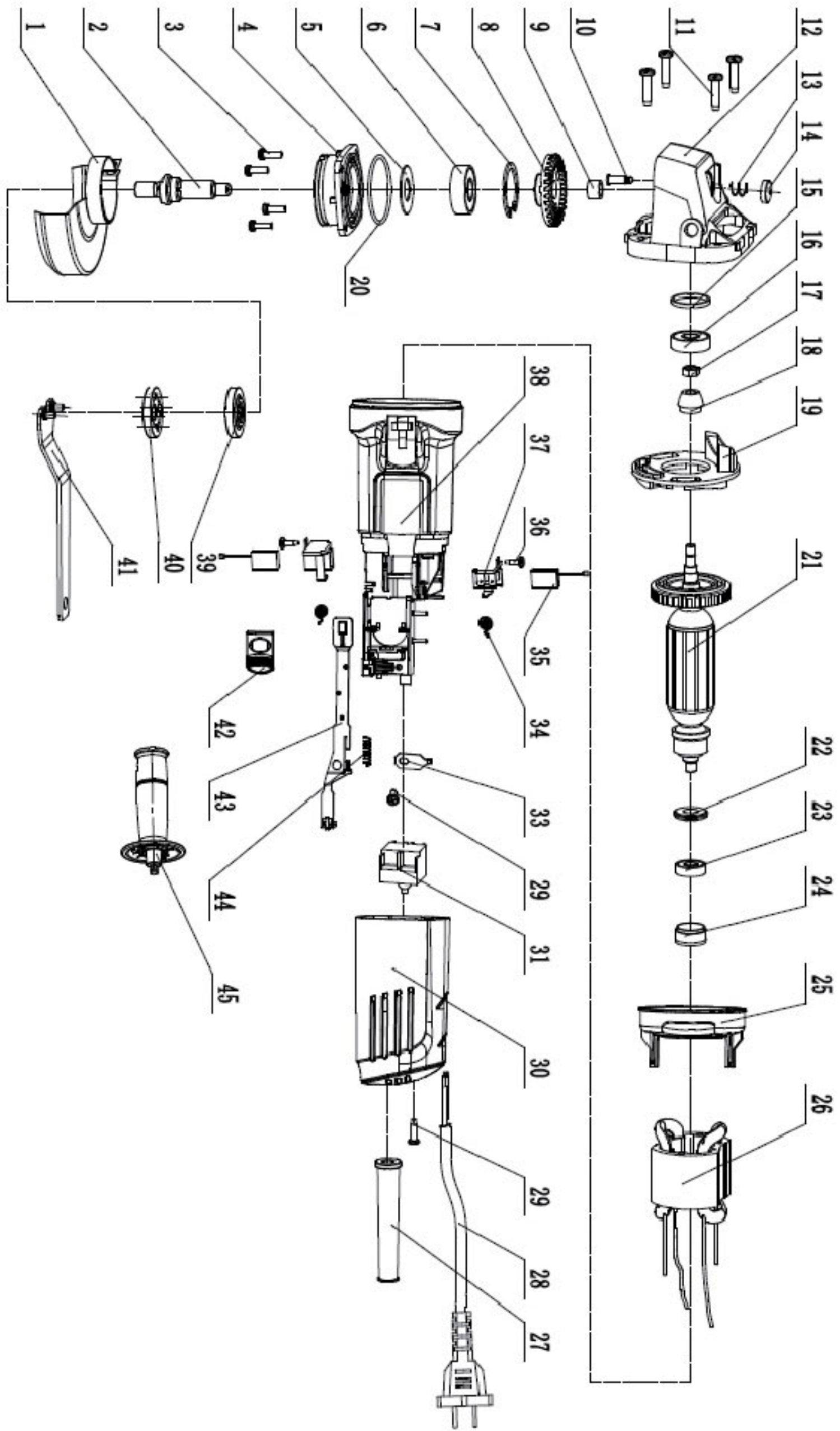


# EXPLODED DIAGRAM



## SPARE PARTS LIST

| Exploded View No | Description           | Part no.  | Exploded View No | Description             | Part no.  |
|------------------|-----------------------|-----------|------------------|-------------------------|-----------|
| 1                | Disc Cover            | 3332.1.18 | 25               | Wind Fender             | 3254.1.02 |
| 2                | Out Shaft             | 3281.1.04 | 26               | Stator ( std v )        | 3820.3.69 |
| 3                | Screw M4X11           | 3224.1.77 | 27               | Cable Guard             | 3360.1.74 |
| 4                | Front Cover           | 3270.1.26 | 28               | Cable                   | 3290.1.04 |
| 5                | Dust-proof Cover      | 3278.1.29 | 29               | Tapping Screw ST4X14    | 3224.1.79 |
| 6                | Bearing 6201          | 272.1.23  | 30               | Rear Cover              | 3278.1.31 |
| 7                | Circlips for Hole Ø32 | 3311.1.54 | 31               | Switch                  | 3330.1.40 |
| 8                | Big Gear              | 3300.1.10 | 32               | Tapping Screw ST4X14    | 3224.1.79 |
| 9                | Bearing HK 808        | 3273.1.11 | 33               | Cable Clamp             | 3279.1.34 |
| 10               | Self-lock melt        | 3253.1.25 | 34               | Coil Spring             | 3310.1.37 |
| 11               | Screw ST4X25          | 3224.1.78 | 35               | Carbon Brush            | 3251.1.38 |
| 12               | Gear Housing          | 3385.1.10 | 36               | Tapping Screw ST3X8     | 3224.1.80 |
| 13               | Self-lock Spring      | 3310.1.51 | 37               | Brush Holder            | 3252.1.28 |
| 14               | Self-lock Cap         | 3523.1.26 | 38               | Housing                 | 3385.1.11 |
| 15               | O Ring                | 3431.1.66 | 39               | Upper Flange            | 3409.1.12 |
| 16               | Bearing 608           | 272.1.04  | 40               | Lower Flange            | 3409.1.13 |
| 17               | Nut M6                | 3241.1.13 | 41               | Spanner                 | 3399.1.29 |
| 18               | Small Gear            | 3300.1.11 | 42               | Push Block              | 3274.1.28 |
| 19               | Guide Ring            | 3311.1.56 | 43               | Pushover Bar            | 3274.1.29 |
| 20               | O Ring                | 3431.1.67 | 44               | Spring                  | 3310.1.38 |
| 21               | Rotor ( STD V )       | 3830.3.69 | 45               | Side Handle             | 3329.1.59 |
| 22               | Dust-proof Circle     | 3278.1.30 | 46               | Armature assy ( 110 v ) | 3830.3.59 |
| 23               | Bearing 607           | 272.1.82  | 47               | Field assy ( 110 v )    | 3820.3.59 |
| 24               | Bearing Holder        | 3348.1.53 |                  |                         |           |