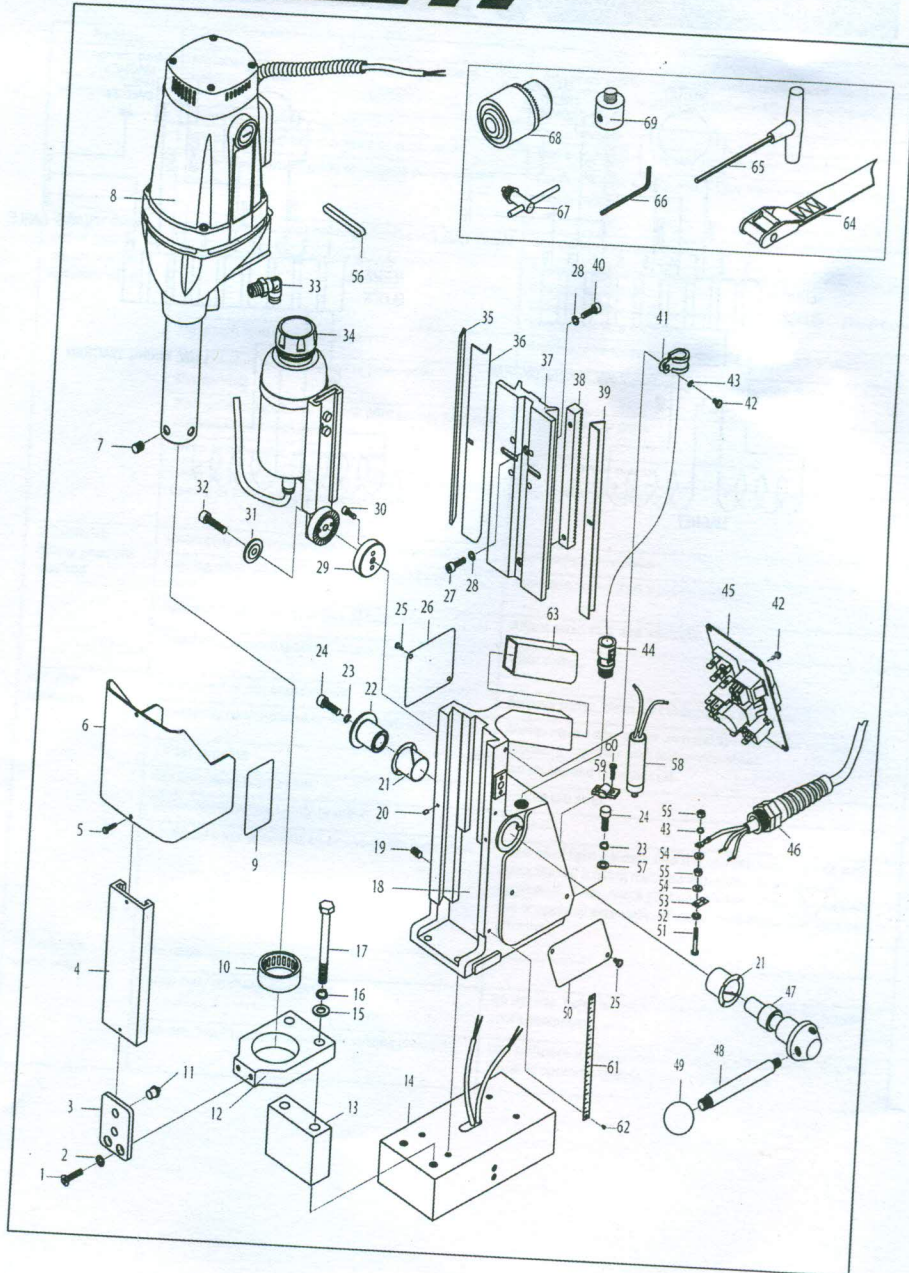


11) EXPLODED VIEW OF MACHINE



12) EXPLODED VIEW OF MOTOR AND GEARBOX

