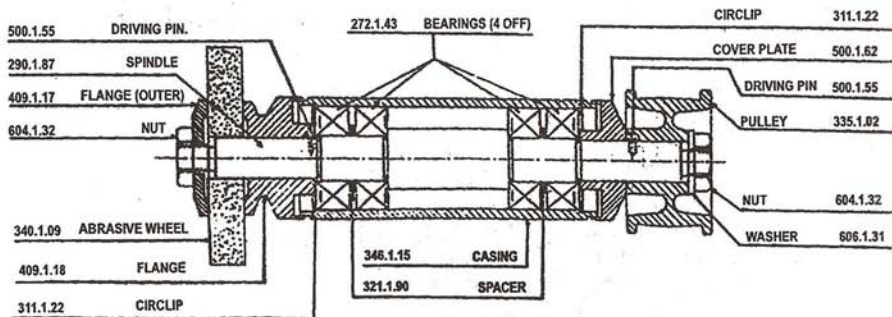


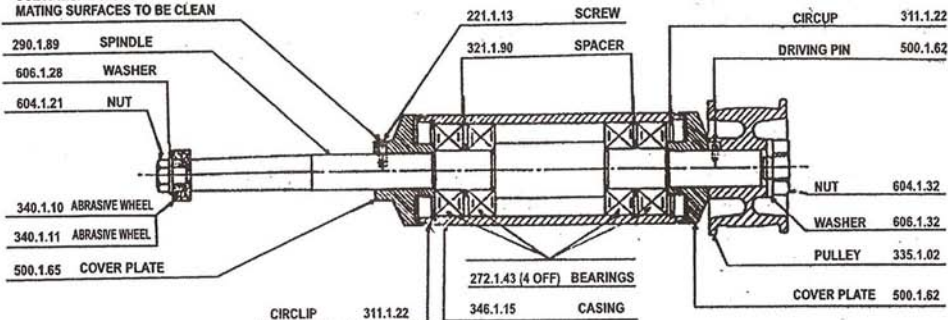


# GRINDING SPINDLE SUB-ASSEMBLY OF 290.3.87 LATHE GRINDER TYPE GL 3



## INTERNAL GRINDING SUB-ASSY : 290.3.89

USE ADHESIVE 320.10  
MATING SURFACES TO BE CLEAN





**Rali Wolf**

# 75 mm LATHE GRINDING TYPE GL3-F

